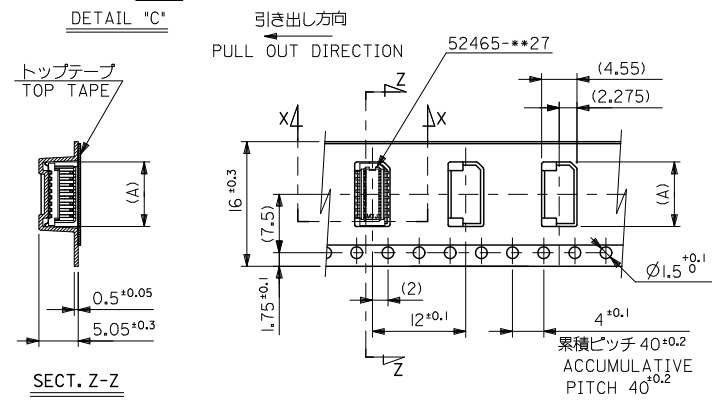
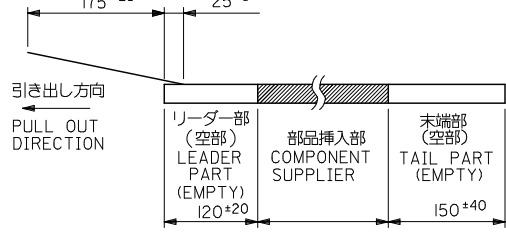
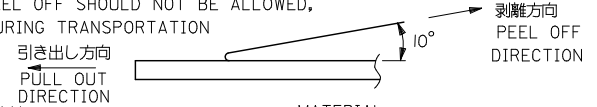


注記 NOTES

1. 梱包数量：1000個/リール NUMBER OF CONNECTORS:1000PCS/REEL
2. リードテープ長さ LEAD TAPE LENGTH
 トップテープ TOP TAPE
 リーダー部 LEADER PART トップテープ TOP TAPE
 未接着部 NON-BONDED PART
 175⁺²⁵ 25⁺⁵



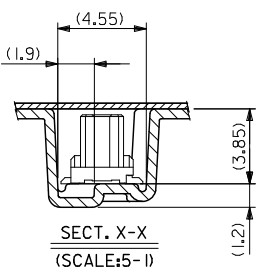
3. トップテープの剥離強度：(剥離方向は下図参照)
 0.1N~0.7N(10.2gf~71.4gf)尚、本規格値は、出荷時に適用。
 (但し、輸送時に剥離が発生しない事。)
 PEELING OFF FORCE OF TOP TAPE
 0.1N~0.7N(10.2gf~71.4gf)(PEELING DIRECTION AS SHOWN IN FOLLOWING FIG.)
 THIS REQUIREMENT SHOULD BE APPLIED AT SHIPMENT
 PEEL OFF SHOULD NOT BE ALLOWED,
 DURING TRANSPORTATION



4. 材料 MATERIAL
 キャリアテープ：ポリプロピレン (PP) CARRIER TAPE:POLYPROPYLENE
 トップテープ：PET, PE, PEF TOP TAPE:PET,PE,PEF
 リール：ポリスチレン (PS) REEL:POLYSTYREN(PS)
 <リサイクル材を含む> <RECYCLE MATERIAL CONTAINED>

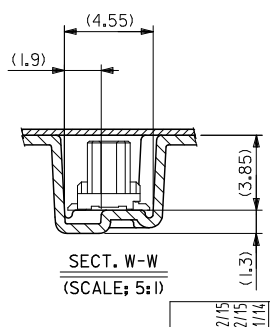
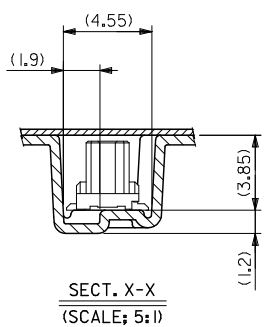
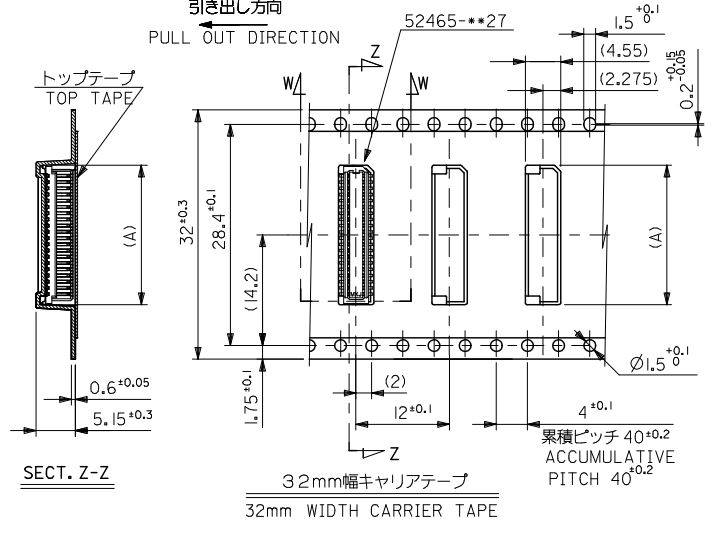
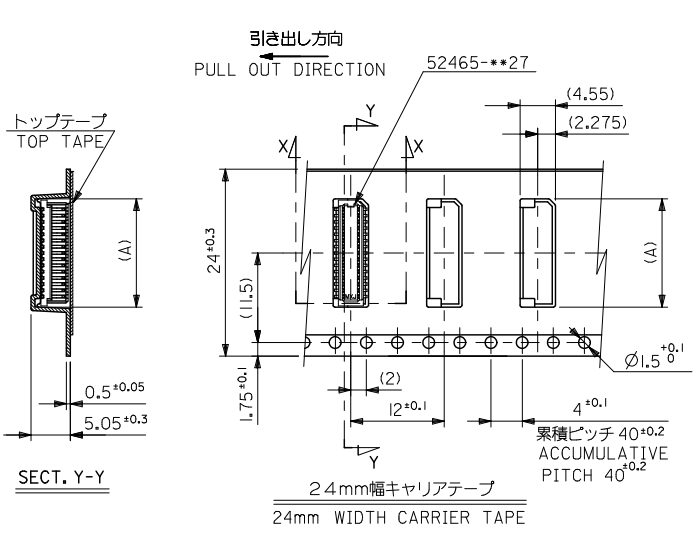
16	17.5	6.7	52465-1291	12
		5.9	52465-1091	10
キャリアテープ幅 CARRIER TAPE WIDTH	B	(A)	MATERIAL NO.	極数 CIRCUIT

16mm幅キャリアテープ
16mm WIDTH CARRIER TAPE



REVISED EC NO: J2009-14/7 DRAWN: KANAKURAA CHKD: HARUYAMA APPROV: NIKITA 2008/12/15 2008/12/15 2009/01/14	GENERAL TOLERANCES (UNLESS SPECIFIED)		DIMENSION STYLE MM ONLY		SCALE ---	DESIGN UNITS METRIC	MODEL NO. 52465-**91
	10 UNDER	±---	DRAWN BY K. ASAKAWA	DATE '91/11/22	TITLE 0.8 B-T0-B HSG ASSY SMT EMBSTP PKG		
	10 OVER 30 UNDER	±---	CHECKED BY T. ITO	DATE '00/12/20	MATERIAL NO. SEE TABLE		
	30 OVER	±---	APPROVED BY M. FUKUSHIMA	DATE '00/12/20	MOLEX INCORPORATED		
	ANGULAR ±---	DRAFT WHERE APPLICABLE MUST REMAIN WITHIN DIMENSIONS	MATERIAL NO. SEE TABLE		DOCUMENT NO. SD-52465-041	SHEET NO. 1 OF 2	

10 9 8 7 6 5 4 3 2 1



32	33.5	17.9	52465-4091	40
24	25.5	14.7	52465-3291	32
		13.1	52465-2891	28
		12.3	52465-2691	26
		9.9	52465-2091	20
キャリアテープ幅 CARRIER TAPE WIDTH	B	(A)	MATERIAL NO.	極数 CIRCUIT

REVISED EC NO: J2009-147 DRAWN: KANAKURA CHKD: HARUYAMA APPR: NIKITA	2008/12/15	2008/12/15	2009/01/14	DESCRIPTION	GENERAL TOLERANCES (UNLESS SPECIFIED)	DIMENSION STYLE MM ONLY		SCALE	DESIGN UNITS	THIRD ANGLE PROJECTION	
	10 UNDER	± ---	DRAWN BY K. ASAKAWA			DATE '91/11/22	TITLE 0.8 B-T-O-B HSG ASSY SMT EMBSTP PKG				
	10 OVER 30 UNDER	± ---	CHECKED BY T. ITO			DATE '00/12/20					
	30 OVER	± ---	APPROVED BY M. FUKUSHIMA			DATE '00/12/20	MOLEX INCORPORATED				
		ANGULAR ± --- °			DRAFT WHERE APPLICABLE MUST REMAIN WITHIN DIMENSIONS	SEE TABLE		DOCUMENT NO. SD-52465-041	SHEET NO. 2 OF 2		