

**PLEASE CHECK WWW.MOLEX.COM FOR LATEST PART INFORMATION**

**Part Number:** **0525591072**  
**Status:** **Contact Molex**  
**Description:** 0.50mm (.020") Pitch FFC/FPC Connector, Vertical, SMT, ZIF, 10 Circuits, Lead-free, with Tape Packaging Center Placement Holes

**Documents:**

[3D Model](#)  
[Drawing \(PDF\)](#)  
[Product Specification PS-52559-012 \(PDF\)](#)  
[Packaging Specification SPK-52559-003 \(PDF\)](#)  
[RoHS Certificate of Compliance \(PDF\)](#)

**Agency Certification**

UL E29179

**General**

Product Family FFC/FPC Connectors  
 Series 52559  
 Product Name N/A

**Physical**

Circuits (Loaded) 10  
 Contact Position N/A  
 Durability (mating cycles max) 20  
 Entry Angle Vertical  
 Flammability 94V-0  
 Mated Height 3.90mm (.154")  
 Material - Metal Phosphor Bronze  
 Material - Plating Mating Tin-Bismuth  
 Material - Resin Nylon  
 Number of Rows 1  
 Orientation Vertical  
 PCB Locator No  
 PCB Retention Yes  
 Packaging Type Embossed Tape on Reel  
 Pitch - Mating Interface 0.50mm (.020")  
 Polarized to PCB No  
 Stackable No  
 Temperature Range - Operating -40°C to +85°C  
 Termination Interface: Style Surface Mount  
 Wire/Cable Type FFC/FPC

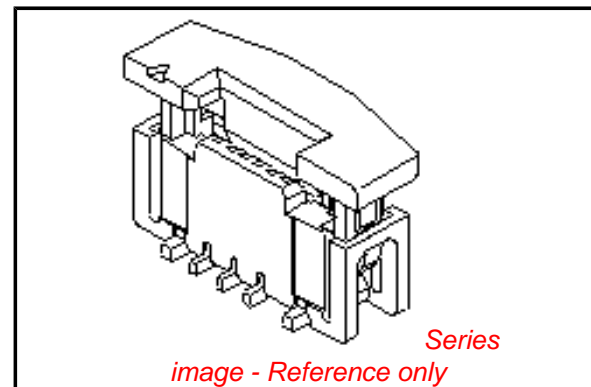
**Electrical**

Current - Maximum per Contact 0.5A  
 Voltage - Maximum 50V

**Material Info**

**Reference - Drawing Numbers**

Packaging Specification SPK-52559-003  
 Product Specification PS-52559-012, RPS-52559-049, RPS-52559-052, RPS-52559-053, RPS-52559-054, RPS-52559-055, RPS-52559-057, RPS-52559-069, RPS-52559-073, RPS-52559-076, RPS-52559-077, RPS-52559-079, RPS-52559-082  
 Sales Drawing SD-52559-028, SD-52559-045



**EU RoHS**

**ELV and RoHS  
 Compliant  
 REACH SVHC  
 Contains SVHC: No  
 Low-Halogen Status  
 Not Low-Halogen**

**China RoHS**



**Need more information on product environmental compliance?**

Email [productcompliance@molex.com](mailto:productcompliance@molex.com)  
 For a multiple part number RoHS Certificate of Compliance, [click here](#)

Please visit the [Contact Us](#) section for any non-product compliance questions.

**Search Parts in this Series**

[52559Series](#)

This document was generated on 05/18/2011

**PLEASE CHECK [WWW.MOLEX.COM](http://WWW.MOLEX.COM) FOR LATEST PART INFORMATION**