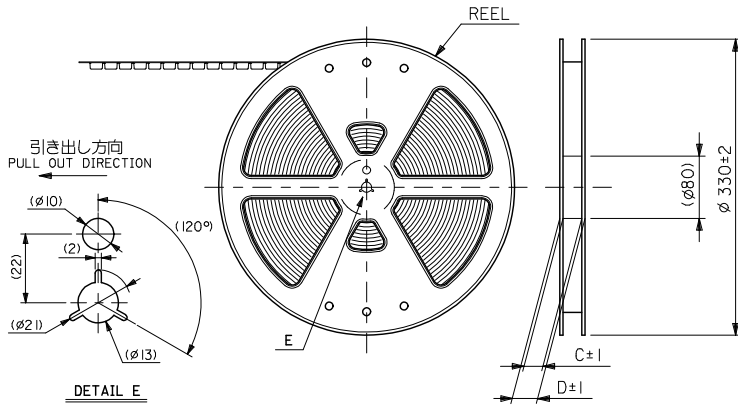
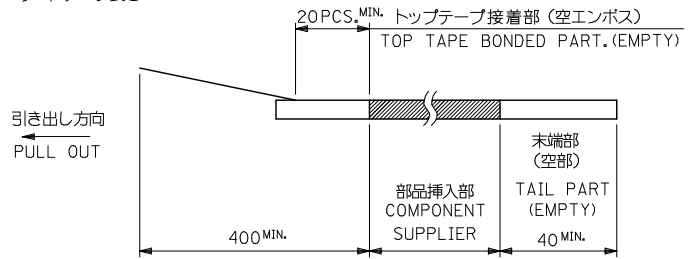


10 9 8 7 6 5 4 3 2 1



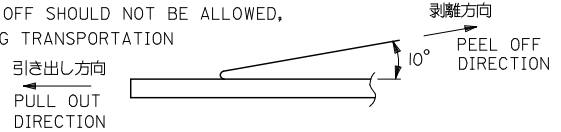
**注記 NOTES**

- 製品番号 52559-\*\*\*19 の梱包状態はアクチュエータがロックした状態とする。  
 詳細寸法については図面 SD-52559-027 を参照下さい。  
 IN THE PACKAGE,ACTUATOR OF PART NO.52559-\*\*\*19 SHOULD BE LOCKED RE DETAILED DIMENSIONS,SEE SD-52559-027
- 梱包数量：1000個/リール  
 NUMBER OF CONNECTORS:1000PCS/REEL
- リードテープ長さ LEAD TAPE LENGTH



- トップテープの剥離強度：(剥離方向は下図参照)  
 0.1~1.3N {10gf~130gf} 尚、本規格値は、出荷時に適用。  
 (但し、輸送時に剥離が発生しない事。)

PEELING OFF FORCE OF TOP TAPE  
 0.1~1.3N{10gf~130gf}PEELING DIRECTION AS SHOWN IN FOLLOWING FIG.)  
 THIS REQUIREMENT SHOULD BE APPLIED AT SHIPMENT  
 PEEL OFF SHOULD NOT BE ALLOWED,  
 DURING TRANSPORTATION



- 材料 キャリアテープ：ポリプロピレン (PP)  
 トップテープ：PET, PE, PEF  
 リール：ポリスチレン (PS) <リサイクル材を含む>

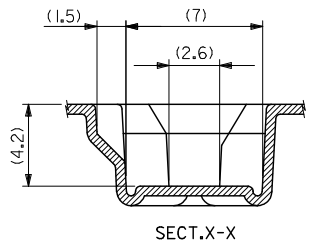
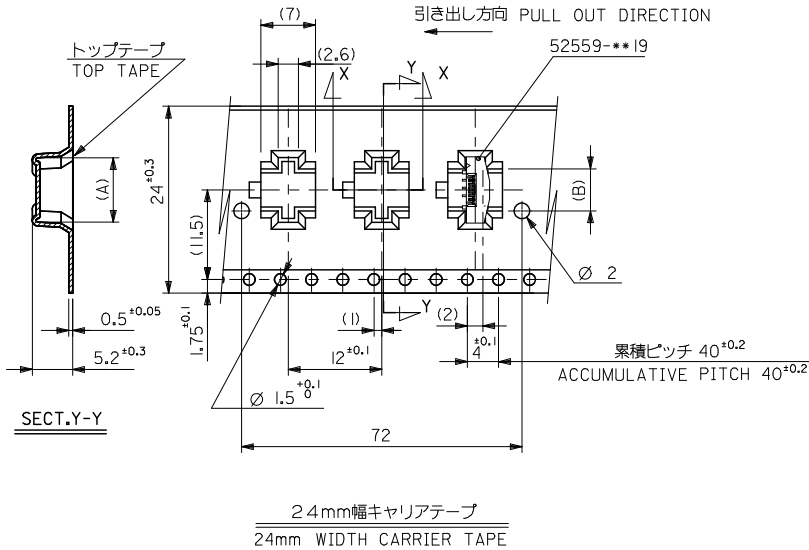
MATERIAL CARRIER TAPE:POLYPROPYLENE  
 TOP TAPE:PET,PE,PEF  
 REEL:POLYSTYRENE(PS)  
 <RECYCLE MATERIAL CONTAINED>

- 本製品は 52559-\*\*\*92の鉛フリー品である。  
 THIS PRODUCT IS LEAD FREE OF 52559-\*\*\*92
- 本製品は乾燥剤入り、ハイバリア梱包仕様である。  
 THIS PRODUCT IS HIGH BARRIER PACKAGE WITH DESICCANT.

52559-\*\*\*72  
 MODEL NO.

REVISED EC NO: J2009-2061 DRAWN BY DRYUNIKON 2009/05/20 CHECKED BY CHYKHMATSUMOTO 2009/05/21 APPROVED BY APPR:NIKITA 2009/05/21	GENERAL TOLERANCES (UNLESS SPECIFIED)		DIMENSION STYLE MM ONLY		SCALE ---	DESIGN UNITS METRIC	THIRD ANGLE PROJECTION
	10 UNDER	±0.2	DRAWN BY H. SHIMABUKUR	DATE 2004/01/07	TITLE 0.5 FPC CONN ASSY ZIF SMT ST EMBSTP PKG -LEAD FREE-		
	10 OVER 30 UNDER	±0.25	CHECKED BY K. TOJO	DATE 2004/01/07	MOLEX INCORPORATED		
	30 OVER	±0.3	APPROVED BY M. SASAO	DATE 2004/01/07	MATERIAL NO. SEE SHEET 2-4	DOCUMENT NO. SD-52559-028	SHEET NO. 1 OF 4
	ANGULAR ±3°	DRAFT WHERE APPLICABLE MUST REMAIN WITHIN DIMENSIONS		THIS DRAWING CONTAINS INFORMATION THAT IS PROPRIETARY TO MOLEX INCORPORATED AND SHOULD NOT BE USED WITHOUT WRITTEN PERMISSION			

10 9 8 7 6 5 4 3 2 1



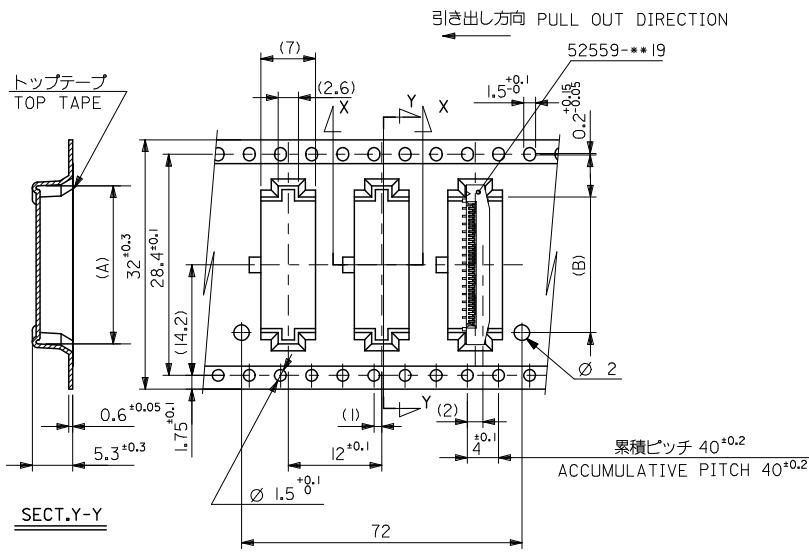
24mm幅キャリアテープ  
24mm WIDTH CARRIER TAPE

REVISED EC NO: J2009-2061 DRAWN BY DRYUNTKON 2009/05/20 CHKD:HATSUMOTO 2009/05/21 APPR:NIKIITA 2009/05/21	GENERAL TOLERANCES (UNLESS SPECIFIED)	
	10 UNDER	±0.2
	10 OVER 30 UNDER	±0.25
	30 OVER	±0.3
	ANGULAR ±3 °	
DRAFT WHERE APPLICABLE MUST REMAIN WITHIN DIMENSIONS		

24	29.4	25.4	14.4	17.3	52559-2472	24
			13.9	16.8	52559-2372	23
			12.9	15.8	52559-2172	21
			12.4	15.3	52559-2072	20
			10.9	13.8	52559-1772	17
			10.4	13.3	52559-1672	16
			9.9	12.8	52559-1572	15
			9.4	12.3	52559-1472	14
			8.4	11.3	52559-1272	12
			7.4	10.3	52559-1072	10
			6.9	9.8	52559-0972	9
			5.4	8.3	52559-0672	6

52559-***72 MODEL NO.	キャリアテープ幅 CARRIER TAPE WIDTH	D	C	(B)	(A)	MATERIAL NO.	CIRCUIT NO.
DIMENSION STYLE MM ONLY		SCALE ---	DESIGN UNITS METRIC		THIRD ANGLE PROJECTION		
DRAWN BY H. SHIMABUKUR		DATE 2004/01/07		TITLE 0.5 FPC CONN ASSY ZIF SMT ST EMBSTP PKG -LEAD FREE-			
CHECKED BY K. TOJO		DATE 2004/01/07		APPROVED BY M. SASAO			
APPROVED BY M. SASAO		DATE 2004/01/07		MOLEX INCORPORATED		DOCUMENT NO. SD-52559-028	
MATERIAL NO. SEE TABLE		DATE		SHEET NO. 2 OF 4		INCORPORATED AND SHOULD NOT BE USED WITHOUT WRITTEN PERMISSION	

10 9 8 7 6 5 4 3 2 1

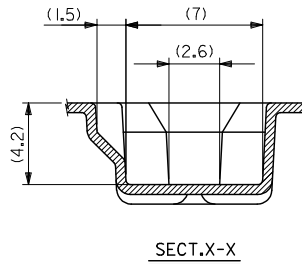
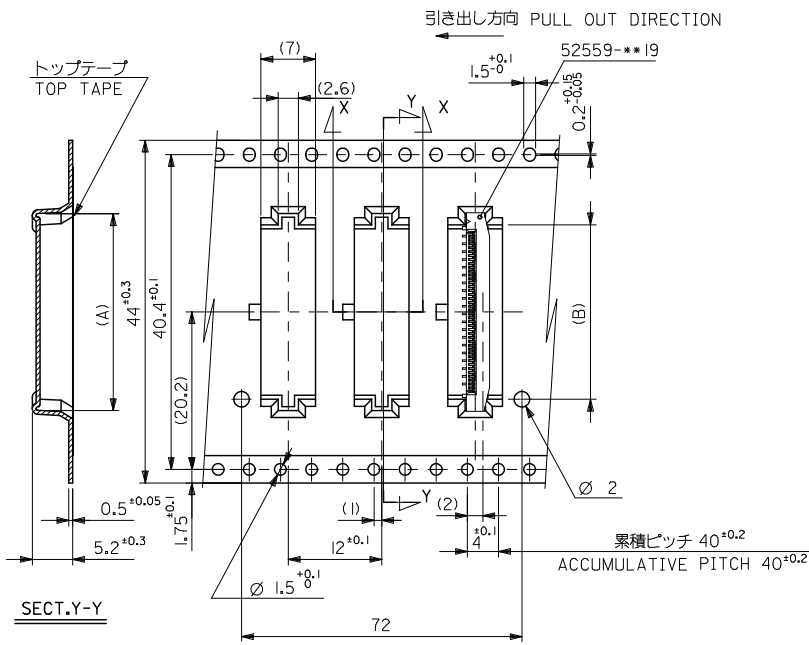


52559-**-72	キャリアテープ幅 CARRIER TAPE WIDTH	D	C	18.4	21.3	52559-3272	32		
				17.4	20.3	52559-3072	30		
				16.4	19.3	52559-2872	28		
				15.9	18.8	52559-2772	27		
				15.4	18.3	52559-2672	26		
MODEL NO.				(B)	(A)	MATERIAL NO.	CIRCUIT NO.		
GENERAL TOLERANCES (UNLESS SPECIFIED)		DIMENSION STYLE MM ONLY		SCALE ---		DESIGN UNITS METRIC		THIRD ANGLE PROJECTION	
10 UNDER	±0.2	DRAWN BY H. SHIMABUKUR		DATE 2004/01/07		TITLE 0.5 FPC CONN ASSY ZIF SMT ST EMBSTP PKG -LEAD FREE-			
10 OVER 30 UNDER	±0.25	CHECKED BY K. TOJO		DATE 2004/01/07		MOLEX INCORPORATED SD-52559-028			
30 OVER	±0.3	APPROVED BY M. SASAO		DATE 2004/01/07					
ANGULAR ±3 °		MATERIAL NO. SEE TABLE		DOCUMENT NO.		SHEET NO.		3 OF 4	
DRAFT WHERE APPLICABLE MUST REMAIN WITHIN DIMENSIONS		THIS DRAWING CONTAINS INFORMATION THAT IS PROPRIETARY TO MOLEX INCORPORATED AND SHOULD NOT BE USED WITHOUT WRITTEN PERMISSION							

ib\_frame\_A3\_J\_ME\_S  
Rev. E 2006/04/15

EN-02JA(021)

10 9 8 7 6 5 4 3 2 1

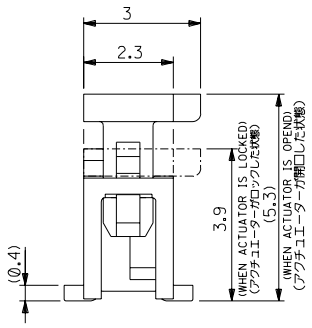
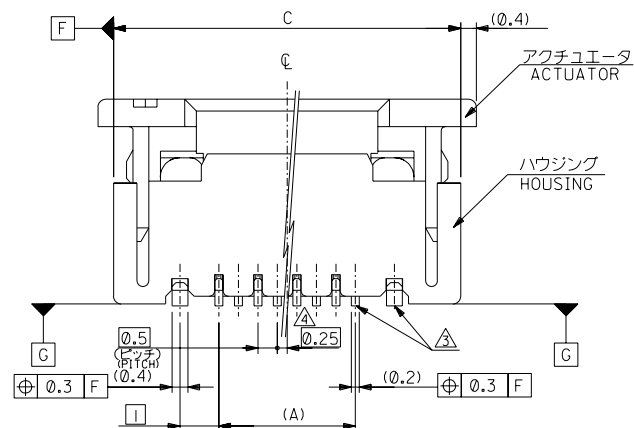
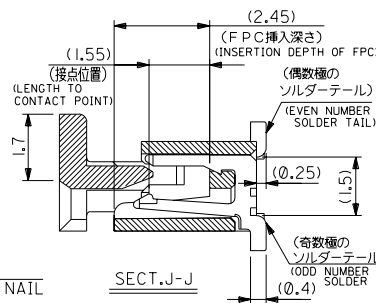
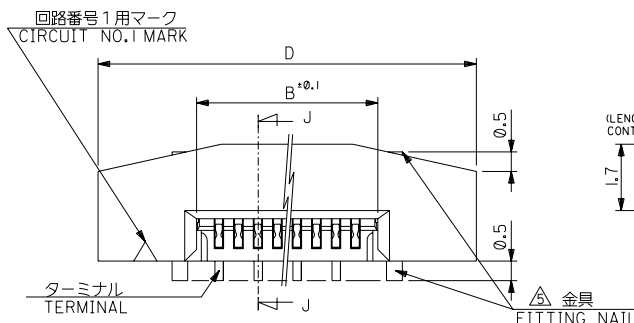


44mm幅キャリアテープ  
44mm WIDTH CARRIER TAPE

52559-***72	44	49.4	45.4	22.4	25.3	52559-4072	40
MODEL NO.	キャリアテープ幅 CARRIER TAPE WIDTH	D	C	(B)	(A)	MATERIAL NO.	CIRCUIT NO.

REVISED E.C. NO: J2009-2061 DRAWN BY: CHYKOHMATSUNO CHECKED BY: APPR:NIKIITA DATE: 2009/05/21 DATE: 2009/05/21	GENERAL TOLERANCES (UNLESS SPECIFIED)		DIMENSION STYLE		SCALE	DESIGN UNITS	THIRD ANGLE PROJECTION
	10 UNDER	±0.2	MM ONLY		---	METRIC	
	10 OVER 30 UNDER	±0.25	DRAWN BY DATE		TITLE		
	30 OVER	±0.3	H. SHIMABUKUR 2004/01/07		0.5 FPC CONN ASSY ZIF SMT ST EMBSTP PKG -LEAD FREE-		
	ANGULAR ±3°	CHECKED BY DATE		APPROVED BY DATE		MOLEX INCORPORATED	
	DRAFT WHERE APPLICABLE MUST REMAIN WITHIN DIMENSIONS	K. TOJO 2004/01/07		M. SASAO 2004/01/07		DOCUMENT NO. SD-52559-028	
		MATERIAL NO. SEE TABLE		SHEET NO. 4 OF 4			
		SIZE A3		THIS DRAWING CONTAINS INFORMATION THAT IS PROPRIETARY TO MOLEX INCORPORATED AND SHOULD NOT BE USED WITHOUT WRITTEN PERMISSION			

DWG. NO. SD-52559-045



注記 NOTES

- I. 使用材料: MATERIAL
- ハウジング HOUSING : 46NYLON UL94V-0
  - アクチュエータ ACTUATOR : PPS UL94V-0
  - ターミナル TERMINAL : リン青銅 (t=0.2) PHOS-BRO
  - 金具 FITTING NAIL : 銅ビスマスマック 1.0マイクrometer以上 TIN-BISMUTH 1.0 MICROMETER MINIMUM
  - ニッケル下地 1.0マイクrometer以上 NICKEL(UNDER PLATING) 1.0 MICROMETER MINIMUM
  - リン青銅 (t=0.4)
  - 銅メッキ 1.0マイクrometer以上 TIN 1.0 MICROMETER MINIMUM
  - ニッケル下地 1.0マイクrometer以上 NICKEL(UNDER PLATING) 1.0 MICROMETER MINIMUM
2. エンボステップ梱包時は、アクチュエータがロックした状態とする。  
IN THE PACKAGE, ACTUATOR OF PART NO.52559-\*\*\*9 SHOULD BE LOCKED.
- △ ソルダータール半田付け面のズレ量、及び金具半田付け面のズレ量は、基準面 G に対し上方向 0.05 MAX.、下方向 0.15 MAX.とする。  
MISALIGNMENT OF SOLDER TAILS AND FITTING NAILS FROM G UPPER DIRECTION: 0.05 MAX. . LOWER DIRECTION: 0.15 MAX.
- △ 偶数種に適用。  
APPLY FOR EVEN CIRCUIT.
- △ パターンはくり止め用金具。  
FITTING NAIL FOR PREVENTION OF PEELING OF P.C.B. PATTERN.
- △ RO. 3は、FPCの導体部にかからないこと。  
RO.3 MUST NOT BE OVERLAPPED TO PATTERN OF FPC.
7. 本製品は 52559-\*\*\*17 の鉛フリー品である。  
THIS PRODUCT IS LEAD FREE OF 52559-\*\*\*17

DO NOT SCALE DRAWING

8 8BAND. DRWN: CHK: APPR: E33NO. DRWN: CHK: APPR: E32NO. DRWN: CHK: APPR: E31NO. J2004-3551 DRWN: H. KAWABATA CHK: K. TOJO APPR: H. SAEKI REVISED		7 0 DRWN: H. SHIMABUKURO CHK: K. TOJO APPR: H. SAEKI REVISED RELEASED		6 MATERIAL 材料 注記参照 SEE NOTES FINISH 仕上げ WIRE RANGE 適用電線範囲 INS. RANGE 被覆外径		5 GENERAL TOLERANCES: (UNLESS SPECIFIED) 一般公差 10 UNDER 未満 10 OVER 以上 30 UNDER 未満 30 OVER 以上 ANGLE 角度		4 SCALE 縮尺 DESIGN UNITS 設計単位 DRAWN BY & DATE H.SHIMABUKURO '04/01/07 CHECKED BY & DATE K.TOJO '04/01/07 APPROVED BY & DATE H. SAEKI '04/01/07 CAD FILENAME SD-52559-045.S01		3 DIMENSIONS: 寸法 mm ONLY INCH ONLY SHT REV REVISE ON CAD ONLY TITLE: 0.5 FPC Conn. Assy ZIF. -LEAD FREE- MOLEX INCORPORATED		2 MATERIAL NO. SD-52559-045 DRAWING NO. SD-52559-045 SHEET NO. 1 OF 2 SIZE B EN-02J(097) MXJ-54	
------------------------------------------------------------------------------------------------------------------------------------------------------------------------------------	--	-----------------------------------------------------------------------------------------	--	---------------------------------------------------------------------------------------------	--	------------------------------------------------------------------------------------------------------------------------	--	-----------------------------------------------------------------------------------------------------------------------------------------------------------------------------------------------	--	--------------------------------------------------------------------------------------------------------------------------------------------------	--	----------------------------------------------------------------------------------------------------------------	--

