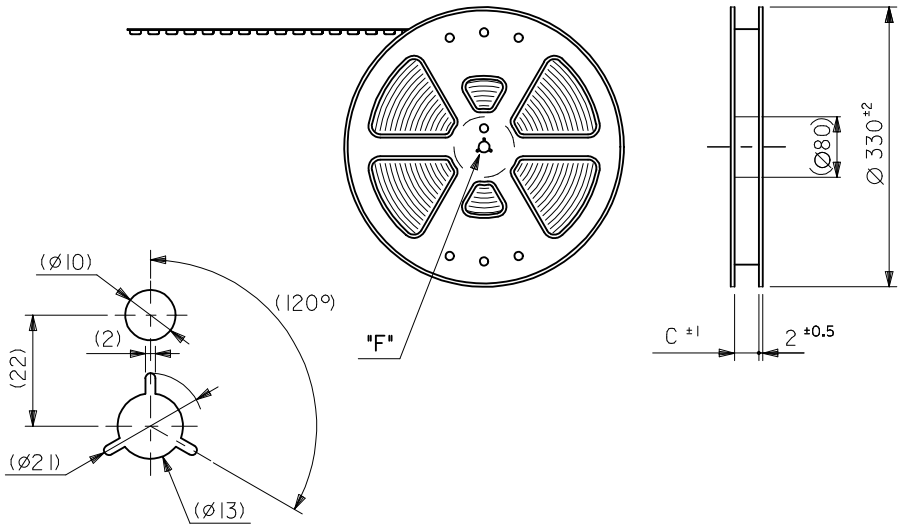


引き出し方向
PULL OUT
DIRECTION

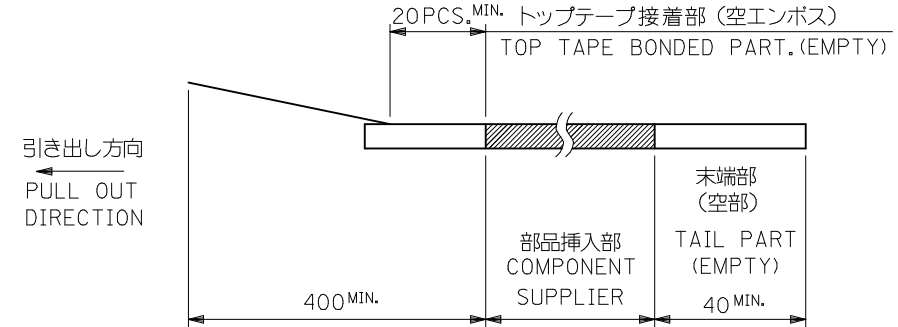


DETAIL "F"

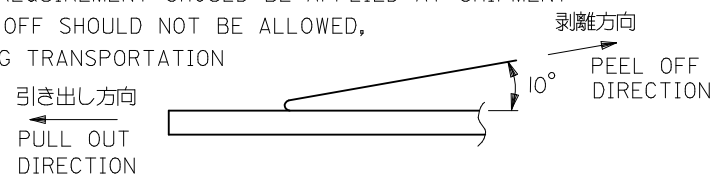
5. 材料
 キャリアテープ: ポリプロピレン (PP)
 トップテープ: PET, PE, PEF
 リール: ポリスチレン (PS) <リサイクル材を含む>
 MATERIAL CARRIER TAPE: POLYPROPYLENE
 TOP TAPE: PET, PE, PEF
 REEL: POLYSTYREN (PS)
 <RECYCLE MATERIAL CONTAINED>

注記 NOTES

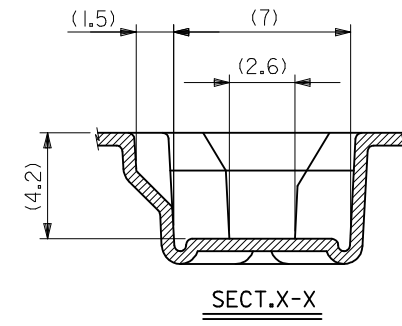
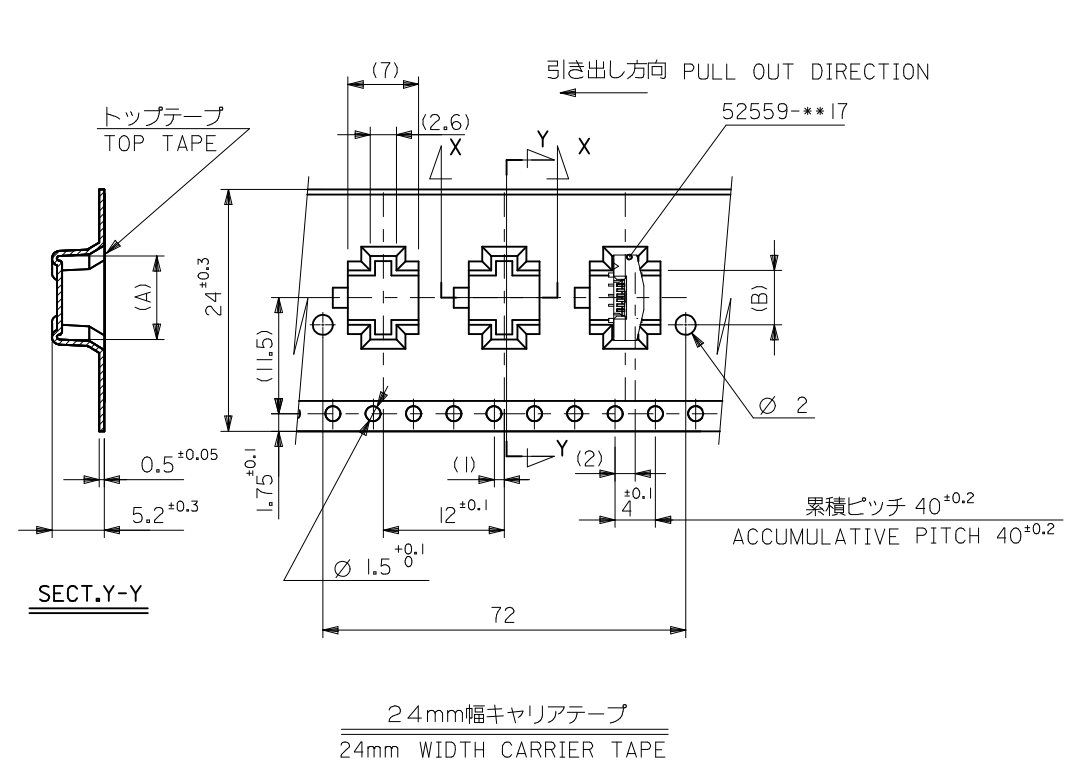
- 製品番号 52559-**17 の梱包状態はアクチュエータがロックした状態とする。
 詳細寸法については図面 SD-52559-**17 を参照下さい。
 IN THE PACKAGE, ACTUATOR OF PART NO.52559-**17 SHOULD BE LOCKED RE DETAILED DIMENSIONS, SEE SD-52559-**17
- 梱包数量: 1000個/リール
 NUMBER OF CONNECTORS: 1000PCS/REEL
- リードテープ長さ LEAD TAPE LENGTH



- トップテープの剥離強度: (剥離方向は下図参照)
 0.1N~0.7N (10.2gf~71.4gf) 尚、本規格値は、出荷時に適用。
 (但し、輸送時に剥離が発生しない事。)
 PEELING OFF FORCE OF TOP TAPE
 0.1N~0.7N(10.2gf~71.4gf)XPEELING DIRECTION AS SHOWN IN FOLLOWING FIG.)
 THIS REQUIREMENT SHOULD BE APPLIED AT SHIPMENT
 PEEL OFF SHOULD NOT BE ALLOWED,
 DURING TRANSPORTATION

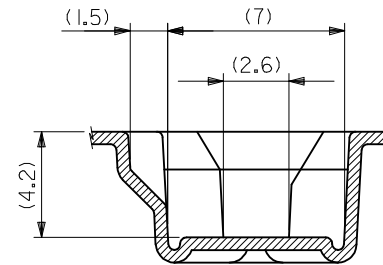
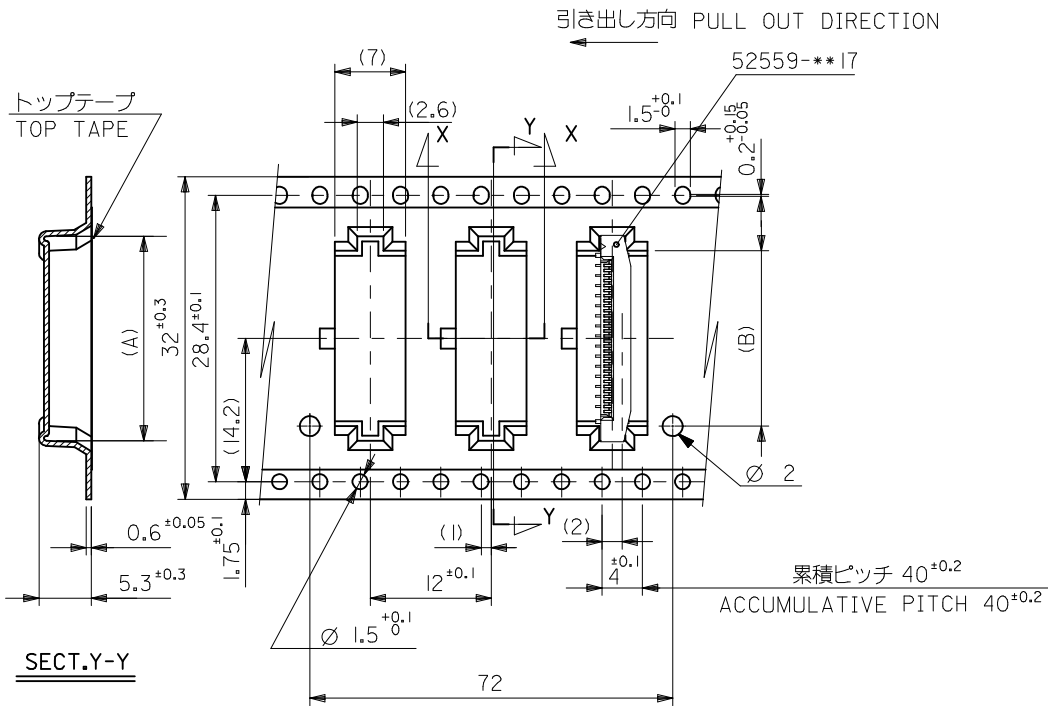


REVISED EC NO: J2013-1524 DRWN: YOSHI I 01 2013/06/14 CHKD: YKOBAYASHI 02 2013/06/14 APPR: YNOGAWA 2013/07/11	DESCRIPTION	GENERAL TOLERANCES (UNLESS SPECIFIED)		DIMENSION STYLE MM ONLY		SCALE ---	DESIGN UNITS METRIC	THIRD ANGLE PROJECTION	
		10 UNDER	±0.3	DRAWN BY M. SHIMIZU	DATE 2000/12/20	TITLE 0.5 FPC CONN ASSY ZIF SMT ST EMBSTP PKG			
		10 OVER 30 UNDER	±0.25	CHECKED BY S. KUNISHI	DATE 2000/12/20				
		30 OVER	±0.2	APPROVED BY M. FUKUSHIMA	DATE 2000/12/20				
		ANGULAR	±3 °	MATERIAL NO. SEE NOTES		DOCUMENT NO. SD-52559-054		SHEET NO. 1 OF 4	
		DRAFT WHERE APPLICABLE MUST REMAIN WITHIN DIMENSIONS		SIZE A3		THIS DRAWING CONTAINS INFORMATION THAT IS PROPRIETARY TO MOLEX INCORPORATED AND SHOULD NOT BE USED WITHOUT WRITTEN PERMISSION			



24	25.5	14.4	17.3	52559-2492	24
		12.4	15.3	52559-2092	20
		9.4	12.3	52559-1492	14
		8.4	11.3	52559-1292	12
		7.4	10.3	52559-1092	10
		5.4	8.3	52559-0692	6
キャリアテープ幅 CARRIER TAPE WIDTH	C	(B)	(A)	ENG. NO.	極数 CIRCUIT

REVISED EC NO: J2013-1524 DRWN:AYOSHI 01 2013/06/14 CHKD:YKOBAYASHI 02 2013/06/14 APPR:YNOGAWA 2013/07/11	GENERAL TOLERANCES (UNLESS SPECIFIED)		DIMENSION STYLE MM ONLY		SCALE ---	DESIGN UNITS METRIC	THIRD ANGLE PROJECTION
	10 UNDER	±0.3	DRAWN BY M.SHIMIZU	DATE 2000/12/20	TITLE 0.5 FPC CONN ASSY ZIF SMT ST EMBSTP PKG		
	10 OVER 30 UNDER	±0.25	CHECKED BY S.KUNISHI	DATE 2000/12/20			
	30 OVER	±0.2	APPROVED BY M.FUKUSHIMA	DATE 2000/12/20			
ANGULAR ±3 °	DRAFT WHERE APPLICABLE MUST REMAIN WITHIN DIMENSIONS		MATERIAL NO.	SEE NOTES	DOCUMENT NO. SD-52559-054	SHEET NO. 2 OF 4	
SIZE A3	THIS DRAWING CONTAINS INFORMATION THAT IS PROPRIETARY TO MOLEX INCORPORATED AND SHOULD NOT BE USED WITHOUT WRITTEN PERMISSION						



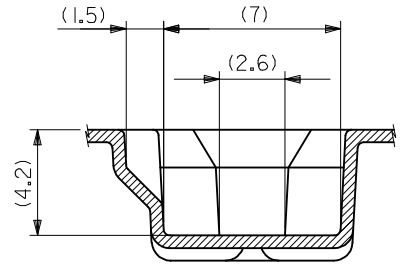
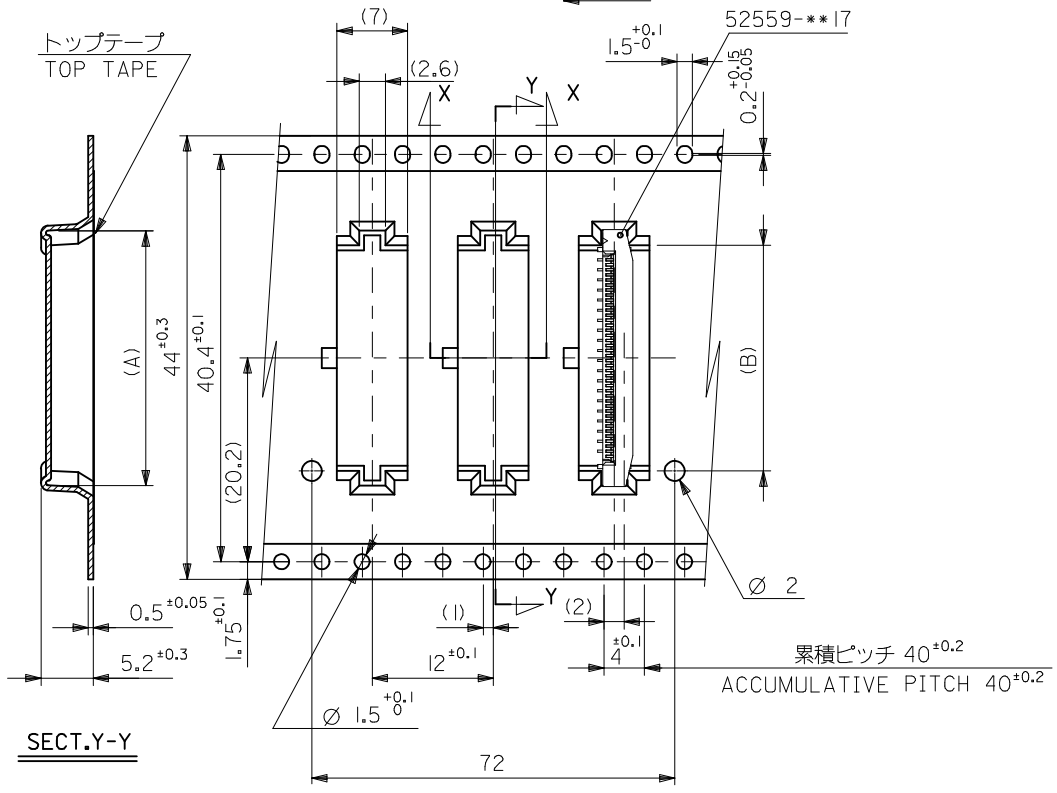
SECT.X-X

32mm幅キャリアテープ
32mm WIDTH CARRIER TAPE

32	33.5	17.4	20.3	52559-3092	30
キャリアテープ幅 CARRIER TAPE WIDTH	C	(B)	(A)	ENG. NO.	極数 CIRCUIT

REVISED EC NO: J2013-1524 DRWN: AYOSHI 2013/06/14 CHKD: YKOBAYASHI 022013/06/14 APPR: YNOGAWA 2013/07/11	GENERAL TOLERANCES (UNLESS SPECIFIED)		DIMENSION STYLE MM ONLY		SCALE ---		DESIGN UNITS METRIC		THIRD ANGLE PROJECTION	
	10 UNDER	±0.3	DRAWN BY M. SHIMIZU		DATE 2000/12/20		TITLE 0.5 FPC CONN ASSY ZIF SMT ST EMBSTP PKG			
	10 OVER 30 UNDER	±0.25	CHECKED BY S. KUNISHI		DATE 2000/12/20					
	30 OVER	±0.2	APPROVED BY M. FUKUSHIMA		DATE 2000/12/20		MATERIAL NO. SEE NOTES DOCUMENT NO. SD-52559-054 SHEET NO. 3 OF 4			
ANGULAR ±3 °		DRAFT WHERE APPLICABLE MUST REMAIN WITHIN DIMENSIONS								

引き出し方向 PULL OUT DIRECTION



SECT.X-X

SECT.Y-Y

44mm幅キャリアテープ
44mm WIDTH CARRIER TAPE

44	45.5	22.4	25.3	52559-4092	40
キャリアテープ幅 CARRIER TAPE WIDTH	C	(B)	(A)	ENG. NO.	極数 CIRCUIT

REVISED EC NO: J2013-1524 DRWN:AYOSHI 101 2013/06/14 CHKD:YKOBAYASHI 02 2013/06/14 APPR:YNOGAWA 2013/07/11	GENERAL TOLERANCES (UNLESS SPECIFIED)		DIMENSION STYLE MM ONLY		SCALE ---		DESIGN UNITS METRIC		THIRD ANGLE PROJECTION		
	10 UNDER	±0.3	DRAWN BY M.SHIMIZU		DATE 2000/12/20		TITLE 0.5 FPC CONN ASSY ZIF SMT ST EMBSTP PKG				
	10 OVER 30 UNDER	±0.25	CHECKED BY S.KUNISHI		DATE 2000/12/20						
	30 OVER	±0.2	APPROVED BY M.FUKUSHIMA		DATE 2000/12/20						
	ANGULAR ±3 °		MATERIAL NO. SEE SHEET		DOCUMENT NO. SD-52559-054		SHEET NO. 4 OF 4				
DRAFT WHERE APPLICABLE MUST REMAIN WITHIN DIMENSIONS		SIZE A3 THIS DRAWING CONTAINS INFORMATION THAT IS PROPRIETARY TO MOLEX INCORPORATED AND SHOULD NOT BE USED WITHOUT WRITTEN PERMISSION									

Mouser Electronics

Authorized Distributor

Click to View Pricing, Inventory, Delivery & Lifecycle Information:

[Molex:](#)

[52559-1092](#)