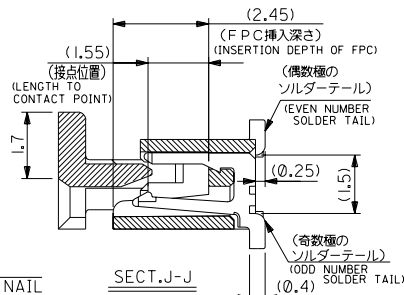
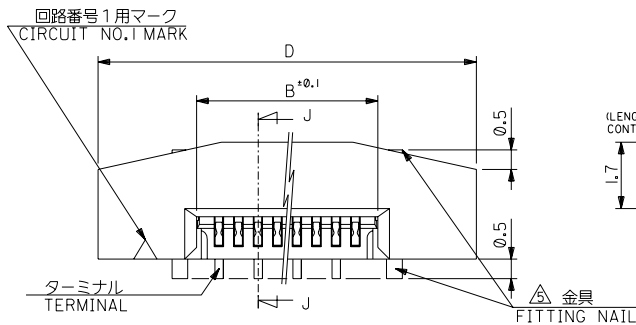
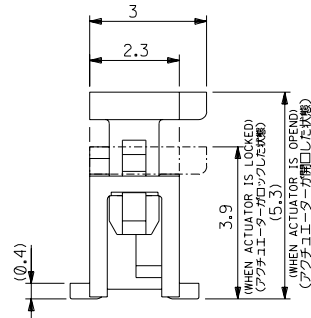
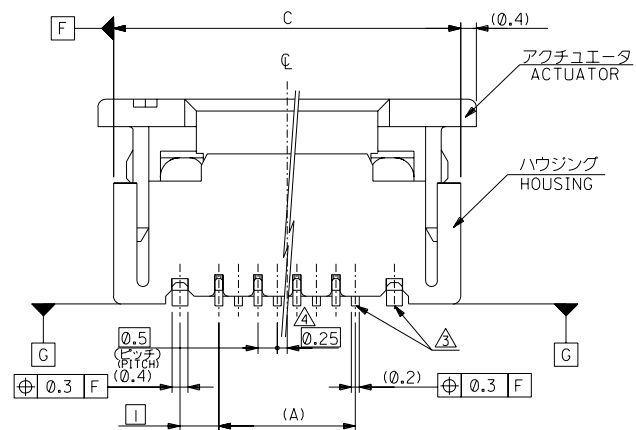


DWG. NO. SD-52559-044



注記 NOTES

- 使用材料 : MATERIAL
 - ハウジング : 46NYLON UL94V-0
 - ハウジング HOUSING
 - アクチュエータ : PPS UL94V-0
 - アクチュエータ ACTUATOR
 - ターミナル : リン青銅、銅下地半田メッキ (t=0.2)
 - TERMINAL PHOS-BRO.TIN-LEAD(9:1) 3~5 MICRON METER OVER COPPER 1~2.5 MICRON METER PLATED
 - 金具 : リン青銅、銅下地半田メッキ (t=0.4)
 - FITTING NAIL PHOS-BRO.TIN-LEAD(9:1) 3~5 MICRON METER OVER COPPER 1~2.5 MICRON METER PLATED
- エンボステープ組付け時は、アクチュエータがロックした状態とする。
 IN THE PACKAGE, ACTUATOR OF PART NO.52559-***17 SHOULD BE LOCKED.
 ソルダテール半田付け面のズレ量、及び金具半田付け面のズレ量は、基準面 G に対し上方向 0.05 MAX.、下方向 0.15 MAX.とする。
 MISALIGNMENT OF SOLDER TAILS AND FITTING NAILS FROM UPPER DIRECTION: 0.05 MAX., LOWER DIRECTION: 0.15 MAX.
 偶数種に適用。
 APPLY FOR EVEN CIRCUIT.
 パターンはくり止め用金具。
 FITTING NAIL FOR PREVENTION OF PEELING OF P.C.B. PATTERN.
 R0.3は、F.P.Cの導体部にかからないこと。
 R0.3 MUST NOT BE OVERLAPPED TO PATTERN OF FPC.



DO NOT SCALE DRAWING	E84NO. DRWN: CHK: APPR:	E83NO. DRWN: CHK: APPR:	E82NO. DRWN: CHK: APPR:	E81NO. DRWN: CHK: APPR:	REDRAWN E80NO. J2003-2624 DRWN: K. TOJO CHK: H. SAKABE APPR: H. SAKABE	MATERIAL 材料	注記参照 SEE NOTES	GENERAL TOLERANCES: (UNLESS SPECIFIED) 一般公差	SCALE — —	DESIGN UNITS mm INCH	DIMENSIONS: mm INCH mm INCH mm ONLY	SHT 2	REV 1		
						FINISH 仕上げ	WIRE RANGE 適用電線範囲	INS. RANGE 被覆外径	10 UNDER 未満	10 OVER 以上	30 UNDER 未満	30 OVER 以上	ANGLE 角度	DRAWN BY & DATE K. TOJO '03/04/17	CHECKED BY & DATE H. SAKABE '03/04/17

TITLE: 0.5 FPC Conn. Assy ZIF.
MOLEX INCORPORATED

EN-02J(097) MXJ-54

DWG. NO. SD-52559-044

F

D

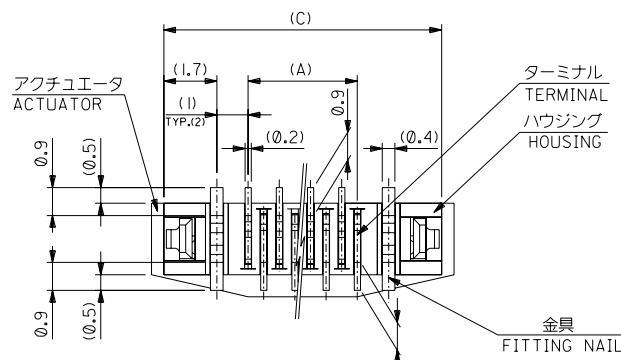
V

C

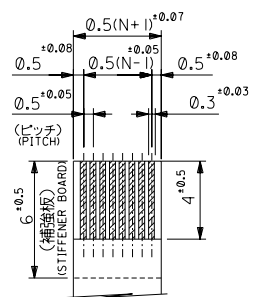
B

DO NOT SCALE DRAWING

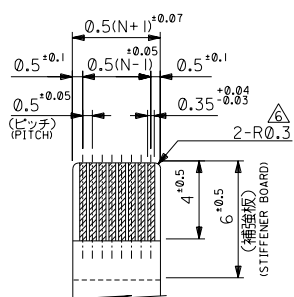
8 7 6 5 4 3 2 1



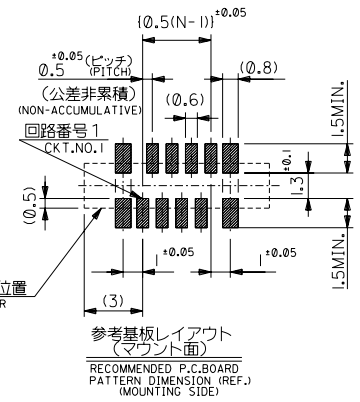
下面図
BOTTOM VIEW



適合 FFC 推奨寸法
APPLICABLE FFC
RECOMMENDED DIMENSION.
(仕上がり厚さ: 0.3±0.05)
(THICKNESS: 0.3±0.05)



適合 FPC 推奨寸法
APPLICABLE FPC
RECOMMENDED DIMENSION.
(仕上がり厚さ: 0.3±0.05)
(THICKNESS: 0.3±0.05)



25.7	24.9	20.65	19.5	52559-4017	40
25.2	24.4	20.15	19.0	-3917	39
24.7	23.9	19.65	18.5	-3817	38
24.2	23.4	19.15	18.0	-3717	37
23.7	22.9	18.65	17.5	-3617	36
23.2	22.4	18.15	17.0	-3517	35
22.7	21.9	17.65	16.5	-3417	34
22.2	21.4	17.15	16.0	-3317	33
21.7	20.9	16.65	15.5	-3217	32
21.2	20.4	16.15	15.0	-3117	31
20.7	19.9	15.65	14.5	-3017	30
20.2	19.4	15.15	14.0	-2917	29
19.7	18.9	14.65	13.5	-2817	28
19.2	18.4	14.15	13.0	-2717	27
18.7	17.9	13.65	12.5	-2617	26
18.2	17.4	13.15	12.0	-2517	25
17.7	16.9	12.65	11.5	-2417	24
17.2	16.4	12.15	11.0	-2317	23
16.7	15.9	11.65	10.5	-2217	22
16.2	15.4	11.15	10.0	-2117	21
15.7	14.9	10.65	9.5	-2017	20
15.2	14.4	10.15	9.0	-1917	19
14.7	13.9	9.65	8.5	-1817	18
14.2	13.4	9.15	8.0	-1717	17
13.7	12.9	8.65	7.5	-1617	16
13.2	12.4	8.15	7.0	-1517	15
12.7	11.9	7.65	6.5	-1417	14
12.2	11.4	7.15	6.0	-1317	13
11.7	10.9	6.65	5.5	-1217	12
11.2	10.4	6.15	5.0	-1117	11
10.7	9.9	5.65	4.5	-1017	10
10.2	9.4	5.15	4.0	-0917	9
9.7	8.9	4.65	3.5	-0817	8
9.2	8.4	4.15	3.0	-0717	7
8.7	7.9	3.65	2.5	52559-0617	6
D	C	B	(A)	MATERIAL NO.	種数 CRT.

F

E

D

C

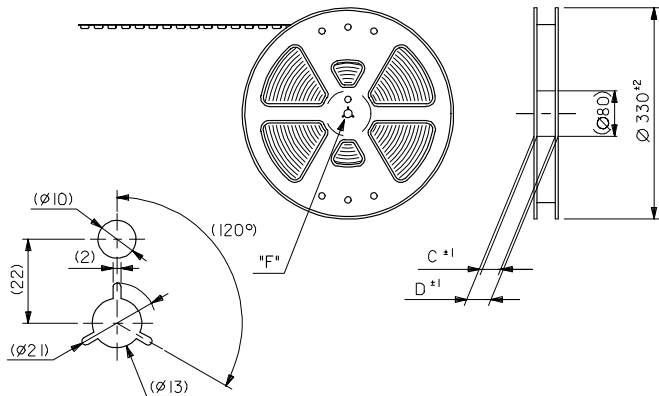
B

SD-52559-044.02

ECGNO. DRWN: CHK: APPR:	ECGNO. DRWN: CHK: APPR:	ECGNO. DRWN: CHK: APPR:	ECGNO. DRWN: CHK: APPR:	ECGNO. DRWN: CHK: APPR:	REDRAWN ECGNO. J2003-2624 DRWN: K. TOJO CHK: H. Sano APPR: H. Sano	MATERIAL 材料 注記参照 SEE NOTES	GENERAL TOLERANCES: (UNLESS SPECIFIED) 一般公差 10 UNDER 未満 10 OVER 以上 30 UNDER 未満 30 OVER 以上	SCALE DESIGN UNITS mm INCH	DRAWN BY & DATE K. TOJO '03/04/17 CHECKED BY & DATE H. Sano '03/04/17 APPROVED BY & DATE H. Sano '03/04/17	DIMENSIONS: mm INCH mm ONLY	SHT REV 2 OF 2
8	7	6	5	4	3	2	1	TITLE: 0.5 FPC Conn. Assy ZIF.		MOLEX INCORPORATED	SHEET NO. 2 OF 2 SIZE B

EN-02J(097) MXJ-54

引き出し方向
PULL OUT
DIRECTION



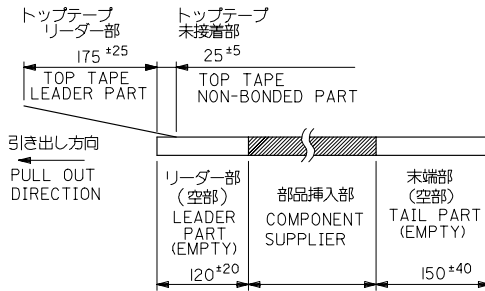
DETAIL "F"

5. 材料 キャリアテープ: ポリプロピレン (PP)
 トップテープ: PET, PE, PEF
 リール: ポリスチレン (PS) <リサイクル材を含む>

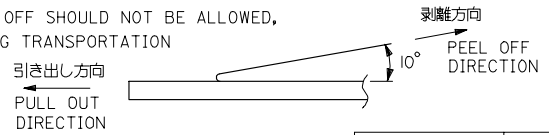
MATERIAL CARRIER TAPE: POLYPROPYLENE
 TOP TAPE: PET, PE, PEF
 REEL: POLYSTYRENE (PS)
 <RECYCLE MATERIAL CONTAINED>

注記 NOTES

- 製品番号 52559-**17 の梱包状態はアクチュエータがロックした状態とする。
 詳細寸法については図面 SD-52559-**17 を参照下さい。
 IN THE PACKAGE, ACTUATOR OF PART NO.52559-**17 SHOULD BE LOCKED
 RE DETAILED DIMENSIONS, SEE SD-52559-**17
- 梱包数量: 1000個/リール
 NUMBER OF CONNECTORS: 1000PCS/REEL
- リードテープ長さ LEAD TAPE LENGTH



- トップテープの剥離強度: (剥離方向は下図参照)
 0.1N~0.7N (10.2gf~71.4gf) 尚、本規格値は、出荷時に適用。
 (但し、輸送時に剥離が発生しない事。)
 PEELING OFF FORCE OF TOP TAPE
 0.1N~0.7N (10.2gf~71.4gf) (PEELING DIRECTION AS SHOWN IN FOLLOWING FIG.)
 THIS REQUIREMENT SHOULD BE APPLIED AT SHIPMENT
 PEEL OFF SHOULD NOT BE ALLOWED,
 DURING TRANSPORTATION



REVISED EC NO: J2006-3700 2006/06/16 DRAWN: HABEI CHKD: KUYODA 2006/06/19 APPR: NUKITA 2006/06/22	GENERAL TOLERANCES (UNLESS SPECIFIED)		DIMENSION STYLE MM ONLY		SCALE ---	52559-**90	MODEL NO.	
	10 UNDER	±---	DRAWN BY S. KAJIYUMA	DATE '91/11/13	TITLE	0.5 FPC CONN ASSY ZIF SMT ST EMBSTP PKG	THIRD ANGLE PROJECTION	
	10 OVER 30 UNDER	±---	CHECKED BY S. KUNISHI	DATE '00/12/20	MOLEX MOLEX INCORPORATED		SD-52559-051	SHEET NO. 1 OF 4
	30 OVER	±---	APPROVED BY M. FUKUSHIMA	DATE '00/12/20				INCORPORATED AND SHOULD NOT BE USED WITHOUT WRITTEN PERMISSION
ANGULAR	±---°	DRAFT WHERE APPLICABLE MUST REMAIN WITHIN DIMENSIONS		MATERIAL NO. SEE CHART	DOCUMENT NO. SD-52559-051			

10 9 8 7 6 5 4 3 2 1

F

E

D

C

B

A

F

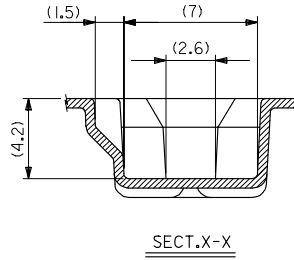
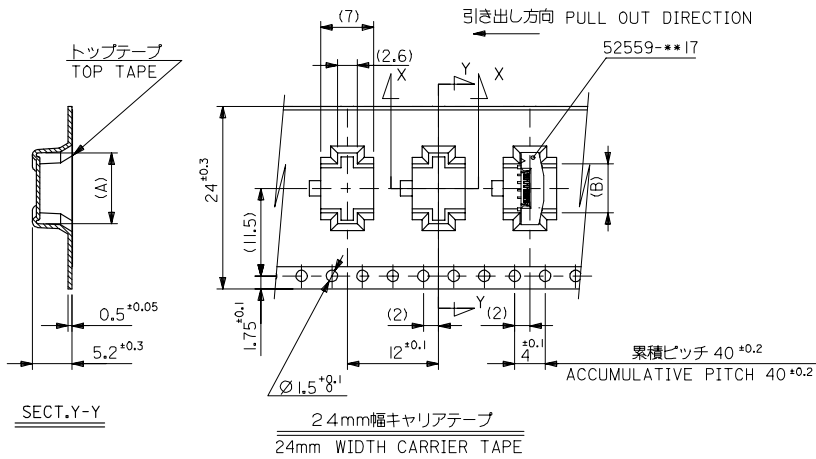
E

D

C

B

A



24	29.4	25.4	13.4	16.3	52559-2290	22
			12.4	15.3	52559-2090	20
			11.9	14.8	52559-1990	19
			11.4	14.3	52559-1890	18
			10.4	13.3	52559-1690	16
			9.9	12.8	52559-1590	15
			9.4	12.3	52559-1490	14
			8.9	11.8	52559-1390	13
			8.4	11.3	52559-1290	12
			7.9	10.8	52559-1190	11
			6.4	9.3	52559-0890	8
			5.4	8.3	52559-0690	6

REVISED IEC NO. J2006-3700 2006/06/16 (DRAWN) MABEI 2006/06/19 (CHKD) TOYODA 2006/06/22 (APPR) NUKITA	GENERAL TOLERANCES (UNLESS SPECIFIED)		DIMENSION STYLE MM ONLY		SCALE ---	DESIGN UNITS METRIC	THIRD ANGLE PROJECTION
	10 UNDER	± ---	DRAWN BY S. KAJINUMA	DATE '91/11/13	TITLE 0.5 FPC CONN ASSY ZIF SMT ST EMBSTP PKG		
	10 OVER 30 UNDER	± ---	CHECKED BY S. KUNISHI	DATE '00/12/20	MATERIAL NO. 52559-0690		
	30 OVER	± ---	APPROVED BY M. FUKUSHIMA	DATE '00/12/20	MATERIAL NO. 52559-0690		
	ANGULAR	± --- °	MATERIAL NO. SEE CHART		DOCUMENT NO. SD-52559-051	SHEET NO. 2 OF 4	
DRAFT WHERE APPLICABLE MUST REMAIN WITHIN DIMENSIONS		THIS DRAWING CONTAINS INFORMATION THAT IS PROPRIETARY TO MOLEX INCORPORATED AND SHOULD NOT BE USED WITHOUT WRITTEN PERMISSION					

fb_frame_A3_1_ME_S
Rev. D 2004/04/02

9 8 7 6 5 4 3 2 1 EN-02JA(021)

10 9 8 7 6 5 4 3 2 1

F

E

D

C

B

A

F

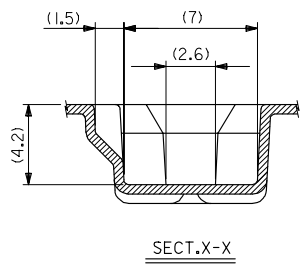
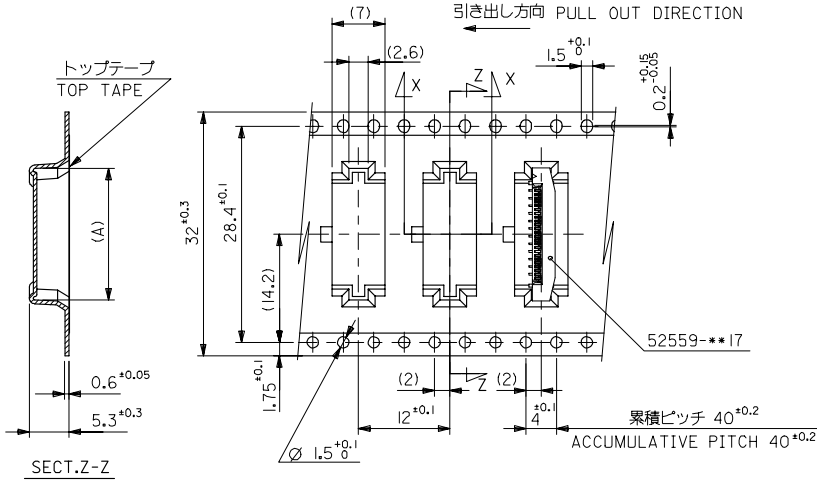
E

D

C

B

A



32mm幅キャリアテープ
32mm WIDTH CARRIER TAPE

32	37.4	33.4	18.9	21.8	52559-3390	33
			18.4	21.3	52559-3290	32
			17.4	20.3	52559-3090	30
			16.4	19.3	52559-2890	28
			15.4	18.3	52559-2690	26
			14.9	17.8	52559-2590	25
			14.4	17.3	52559-2490	24

REVISED IEC NO. J2006-3700 2006/06/16 DRAWN: H. NABEI 2006/06/19 CHKD: K. TOYODA 2006/06/22 APPR: N. KIKITA	GENERAL TOLERANCES (UNLESS SPECIFIED)	DIMENSION STYLE MM ONLY	SCALE ---	DESIGN UNITS METRIC	THIRD ANGLE PROJECTION
	10 UNDER ± ---	DRAWN BY S. KAJI INUMA	DATE '91/11/13	TITLE 0.5 FPC CONN ASSY ZIF SMT ST EMBSTP PKG	
	10 OVER 30 UNDER ± ---	CHECKED BY S. KUNISHI	DATE '00/12/20		
	30 OVER ± ---	APPROVED BY M. FUKUSHIMA	DATE '00/12/20		
	ANGULAR ± --- °	MATERIAL NO. SEE CHART		DOCUMENT NO. SD-52559-051	
DRAFT WHERE APPLICABLE MUST REMAIN WITHIN DIMENSIONS		THIS DRAWING CONTAINS INFORMATION THAT IS PROPRIETARY TO MOLEX INCORPORATED AND SHOULD NOT BE USED WITHOUT WRITTEN PERMISSION			

10 9 8 7 6 5 4 3 2 1

F

E

D

C

B

A

F

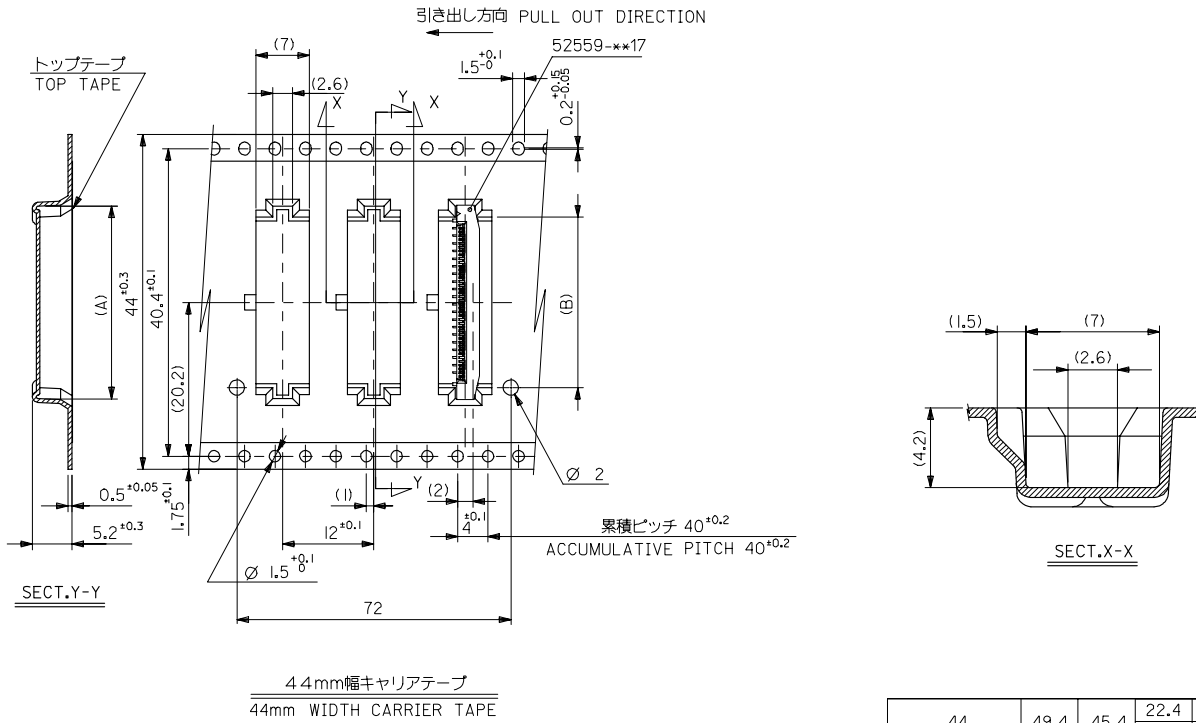
E

D

C

B

A



44	49.4	45.4	22.4	25.3	52559-4090	40
キャリアテープ幅 CARRIER TAPE WIDTH	D	C	(B)	(A)	52559-3690	36
					MATERIAL NO.	CIRCUIT NO.

REVISED IEC NO: J2006-3700 2006/06/16 DRAWN: H. NABEI 2006/06/19 CHK: K. TOYODA 2006/06/19 APPR: N. KITA 2006/06/17	GENERAL TOLERANCES (UNLESS SPECIFIED)		DIMENSION STYLE MM ONLY		SCALE ---	DESIGN UNITS METRIC	THIRD ANGLE PROJECTION
	10 UNDER	± ---	DRAWN BY S. KAJINUMA	DATE '91/11/13	TITLE 0.5 FPC CONN ASSY ZIF SMT ST EMBSTP PKG MOLEX INCORPORATED DOCUMENT NO. SD-52559-051 SHEET NO. 4 OF 4		
	10 OVER 30 UNDER	± ---	CHECKED BY S. KUNISHI	DATE '00/12/20			
	30 OVER	± ---	APPROVED BY M. FUKUSHIMA	DATE '00/12/20			
	ANGULAR	± --- °	MATERIAL NO.				
DRAFT WHERE APPLICABLE MUST REMAIN WITHIN DIMENSIONS		SEE CHART					

tb_frame_A3_1_ME_S
Rev. D 2004/04/02

9

8

7

6

5

4

3

2

EN-02JA(021)