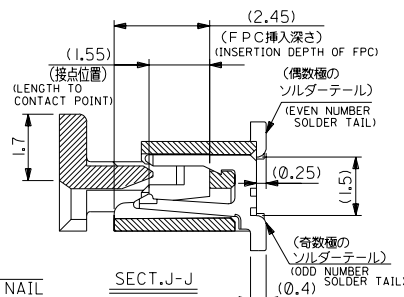
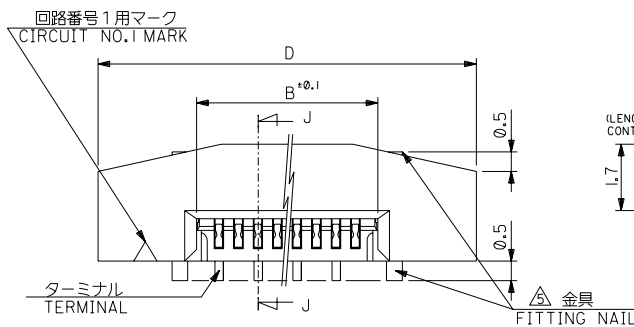
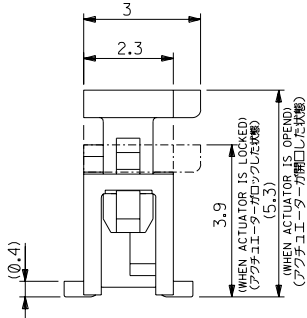
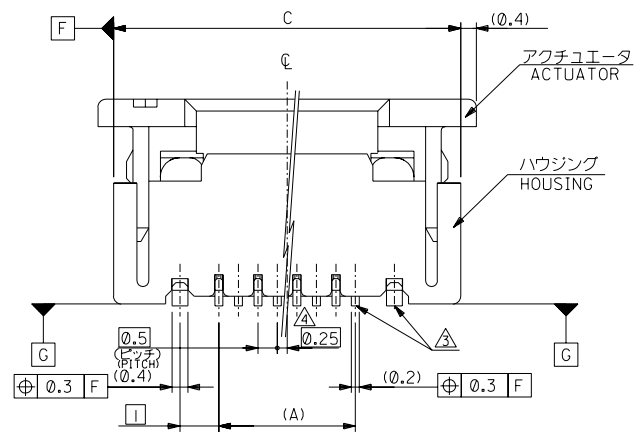


DWG. NO. SD-52559-044



注記 NOTES

- 使用材料 : MATERIAL
 - ハウジング : 46NYLON UL94V-0
 - ハウジング HOUSING
 - アクチュエータ : PPS UL94V-0
 - アクチュエータ ACTUATOR
 - ターミナル : リン青銅, 銅下地半田メッキ (t=0.2)
 - TERMINAL PHOS-BRO.TIN-LEAD(9:1) 3~5 MICRON METER OVER COPPER 1~2.5 MICRON METER PLATED
 - 金具 : リン青銅, 銅下地半田メッキ (t=0.4)
 - FITTING NAIL PHOS-BRO.TIN-LEAD(9:1) 3~5 MICRON METER OVER COPPER 1~2.5 MICRON METER PLATED
- エンボスステップ埋め時は、アクチュエータがロックした状態とする。
 IN THE PACKAGE, ACTUATOR OF PART NO.52559-044 SHOULD BE LOCKED.
 ソルダテール半田付け面のズレ量、及び金具半田付け面のズレ量は、基準面 G に対し上方向 0.05 MAX., 下方向 0.15 MAX. とする。
 MISALIGNMENT OF SOLDER TAILS AND FITTING NAILS FROM UPPER DIRECTION: 0.05 MAX., LOWER DIRECTION: 0.15 MAX.
 偶数種に適用。
 APPLY FOR EVEN CIRCUIT.
 パターンはくり止め用金具。
 FITTING NAIL FOR PREVENTION OF PEELING OF P.C.B. PATTERN.
 R0.3は、F.P.Cの導体部にかからないこと。
 R0.3 MUST NOT BE OVERLAPPED TO PATTERN OF FPC.



DO NOT SCALE DRAWING	E84NO. DRWN: CHK: APPR:	E83NO. DRWN: CHK: APPR:	E82NO. DRWN: CHK: APPR:	E81NO. DRWN: CHK: APPR:	E80NO. J2003-2624 DRWN: K. TOJO CHK: H. SAKABE APPR: H. SAKABE	MATERIAL 材料 注記参照 SEE NOTES	FINISH 仕上げ →	WIRE RANGE 適用電線範囲 →	INS. RANGE 被覆外径 →	GENERAL TOLERANCES: (UNLESS SPECIFIED) 一般公差	SCALE →	DESIGN UNITS <input checked="" type="checkbox"/> mm <input type="checkbox"/> INCH	DIMENSIONS: <input type="checkbox"/> mm <input type="checkbox"/> INCH <input checked="" type="checkbox"/> mm ONLY	SHT	REV	
										10 UNDER 未満 10 OVER 以上	±0.2	DRAWN BY & DATE K. TOJO '03/04/17	PROJECTION <input checked="" type="checkbox"/> 1ST ANGLE	TITLE: 0.5 FPC Conn. Assy ZIF.		
										30 UNDER 未満 30 OVER 以上	±0.25	CHECKED BY & DATE H. SAKABE '03/04/17	MOLEX INCORPORATED			
										ANGLE 角度	±3°	APPROVED BY & DATE H. SAKABE '03/04/17	CAD FILENAME SD-52559-044.S01	MATERIAL NO. 52559-044	DRAWING NO. SD-52559-044	SHEET NO. 1 OF 2
										DRAWING CONTAINS INFORMATION THAT IS PROPRIETARY TO MOLEX INCORPORATED AND SHOULD NOT BE USED WITHOUT WRITTEN PERMISSION.						SIZE B
										EN-02J(097) MXJ-54						

DWG. NO. SD-52559-044

F

D

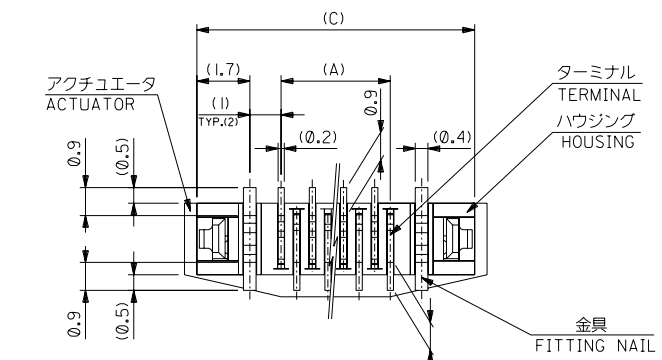
V

C

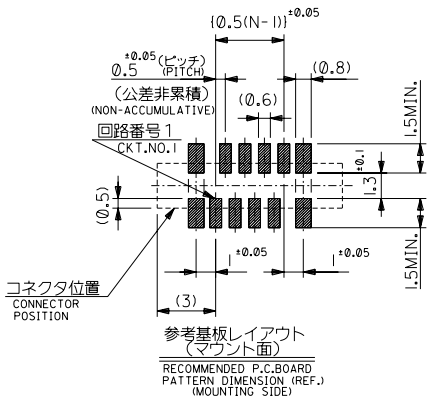
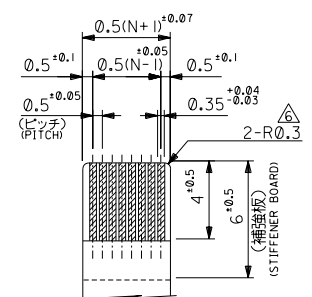
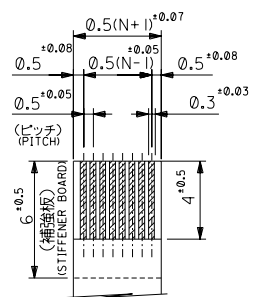
B

DO NOT SCALE DRAWING

8 7 6 5 4 3 2 1



下面図
BOTTOM VIEW



25.7	24.9	20.65	19.5	52559-4017	40
25.2	24.4	20.15	19.0	-3917	39
24.7	23.9	19.65	18.5	-3817	38
24.2	23.4	19.15	18.0	-3717	37
23.7	22.9	18.65	17.5	-3617	36
23.2	22.4	18.15	17.0	-3517	35
22.7	21.9	17.65	16.5	-3417	34
22.2	21.4	17.15	16.0	-3317	33
21.7	20.9	16.65	15.5	-3217	32
21.2	20.4	16.15	15.0	-3117	31
20.7	19.9	15.65	14.5	-3017	30
20.2	19.4	15.15	14.0	-2917	29
19.7	18.9	14.65	13.5	-2817	28
19.2	18.4	14.15	13.0	-2717	27
18.7	17.9	13.65	12.5	-2617	26
18.2	17.4	13.15	12.0	-2517	25
17.7	16.9	12.65	11.5	-2417	24
17.2	16.4	12.15	11.0	-2317	23
16.7	15.9	11.65	10.5	-2217	22
16.2	15.4	11.15	10.0	-2117	21
15.7	14.9	10.65	9.5	-2017	20
15.2	14.4	10.15	9.0	-1917	19
14.7	13.9	9.65	8.5	-1817	18
14.2	13.4	9.15	8.0	-1717	17
13.7	12.9	8.65	7.5	-1617	16
13.2	12.4	8.15	7.0	-1517	15
12.7	11.9	7.65	6.5	-1417	14
12.2	11.4	7.15	6.0	-1317	13
11.7	10.9	6.65	5.5	-1217	12
11.2	10.4	6.15	5.0	-1117	11
10.7	9.9	5.65	4.5	-1017	10
10.2	9.4	5.15	4.0	-0917	9
9.7	8.9	4.65	3.5	-0817	8
9.2	8.4	4.15	3.0	-0717	7
8.7	7.9	3.65	2.5	52559-0617	6
D	C	B	(A)	MATERIAL NO.	種数 CRT.

適合FFC推奨寸法
APPLICABLE FFC
RECOMMENDED DIMENSION.
(仕上がり厚さ: 0.3±0.05)
(THICKNESS: 0.3±0.05)

適合FPC推奨寸法
APPLICABLE FPC
RECOMMENDED DIMENSION.
(仕上がり厚さ: 0.3±0.05)
(THICKNESS: 0.3±0.05)

DESIGNER	DRWING	CHK'G	APPR
DESIGNER	DRWING	CHK'G	APPR
DESIGNER	DRWING	CHK'G	APPR
DESIGNER	DRWING	CHK'G	APPR
DESIGNER	DRWING	CHK'G	APPR
DESIGNER	DRWING	CHK'G	APPR
DESIGNER	DRWING	CHK'G	APPR
DESIGNER	DRWING	CHK'G	APPR
DESIGNER	DRWING	CHK'G	APPR
DESIGNER	DRWING	CHK'G	APPR
DESIGNER	DRWING	CHK'G	APPR

REDRAWN
J2003-2624
DRAWING: K. TOJO
CHK'G: H. SAKABE
APPR: H. SAKABE

MATERIAL	材料	注記参照
FINISH	仕上げ	SEE NOTES
WIRE RANGE	適用電線範囲	
INS. RANGE	適用電線外径	

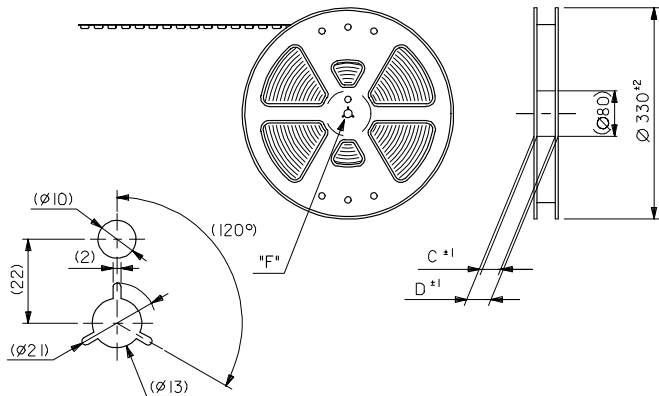
GENERAL TOLERANCES: (UNLESS SPECIFIED)	SCALE	DESIGN UNITS
10 UNDER 未満	1:1	mm
10 OVER 以上	0.25	mm
30 OVER 以上	0.3	mm
ANGLE 角度	3°	

DIMENSIONS:	SHT	REV
mm ONLY	2	2
INCH ONLY		
OTHER ON CAD ONLY		
TITLE: 0.5 FPC Conn. Assy ZIF.		
MOLEX INCORPORATED		
CAD FILENAME	MATERIAL NO.	DRAWING NO.
SD-52559-044.S02	52559-0017	SD-52559-044
DRAWING CONTAINS INFORMATION THAT IS PROPRIETARY TO MOLEX INCORPORATED AND SHOULD NOT BE USED WITHOUT WRITTEN PERMISSION.		SIZE
		B
EN-02J(097) MXJ-54		

SD-52559-044.S02

10 9 8 7 6 5 4 3 2 1

引き出し方向
PULL OUT
DIRECTION



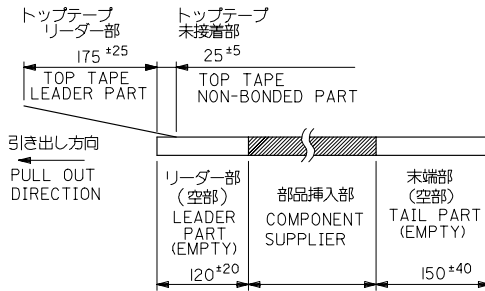
DETAIL "F"

5. 材料 キャリアテープ: ポリプロピレン (PP)
 トップテープ: PET, PE, PEF
 リール: ポリスチレン (PS) <リサイクル材を含む>

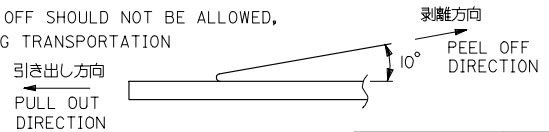
MATERIAL CARRIER TAPE: POLYPROPYLENE
 TOP TAPE: PET, PE, PEF
 REEL: POLYSTYRENE (PS)
 <RECYCLE MATERIAL CONTAINED>

注記 NOTES

- 製品番号 52559-**17 の梱包状態はアクチュエータがロックした状態とする。
 詳細寸法については図面 SD-52559-**17 を参照下さい。
 IN THE PACKAGE, ACTUATOR OF PART NO.52559-**17 SHOULD BE LOCKED
 RE DETAILED DIMENSIONS, SEE SD-52559-**17
- 梱包数量: 1000個/リール
 NUMBER OF CONNECTORS: 1000PCS/REEL
- リードテープ長さ LEAD TAPE LENGTH



- トップテープの剥離強度: (剥離方向は下図参照)
 0.1N~0.7N (10.2gf~71.4gf) 尚、本規格値は、出荷時に適用。
 (但し、輸送時に剥離が発生しない事。)
 PEELING OFF FORCE OF TOP TAPE
 0.1N~0.7N (10.2gf~71.4gf) (PEELING DIRECTION AS SHOWN IN FOLLOWING FIG.)
 THIS REQUIREMENT SHOULD BE APPLIED AT SHIPMENT
 PEEL OFF SHOULD NOT BE ALLOWED,
 DURING TRANSPORTATION



REVISED EC NO: J2006-3700 2006/06/16 DRAWN: HABEI CHKD: KUYODA 2006/06/19 APPR: NUKITA 2006/06/22	GENERAL TOLERANCES (UNLESS SPECIFIED)		DIMENSION STYLE MM ONLY		SCALE ---	52559-**90	MODEL NO.
	10 UNDER	±---	DRAWN BY S. KAJIYUMA	DATE '91/11/13	TITLE	0.5 FPC CONN ASSY ZIF SMT ST EMBSTP PKG	
	10 OVER 30 UNDER	±---	CHECKED BY S. KUNISHI	DATE '00/12/20			
	30 OVER	±---	APPROVED BY M. FUKUSHIMA	DATE '00/12/20			
	ANGULAR	±--- °	MATERIAL NO. SEE CHART		DOCUMENT NO. SD-52559-051	MOLEX INCORPORATED	
	DRAFT WHERE APPLICABLE MUST REMAIN WITHIN DIMENSIONS		SIZE A3	THIS DRAWING CONTAINS INFORMATION THAT IS PROPRIETARY TO MOLEX INCORPORATED AND SHOULD NOT BE USED WITHOUT WRITTEN PERMISSION			SHEET NO. 1 OF 4

10 9 8 7 6 5 4 3 2 1

F F

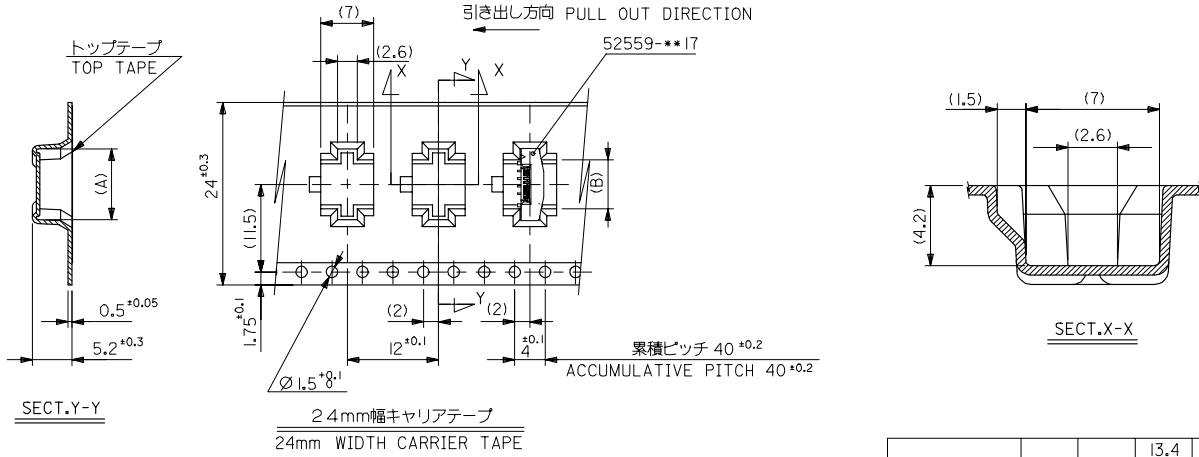
E E

D D

C C

B B

A A



24	29.4	25.4	13.4	16.3	52559-2290	22
			12.4	15.3	52559-2090	20
			11.9	14.8	52559-1990	19
			11.4	14.3	52559-1890	18
			10.4	13.3	52559-1690	16
			9.9	12.8	52559-1590	15
			9.4	12.3	52559-1490	14
			8.9	11.8	52559-1390	13
			8.4	11.3	52559-1290	12
			7.9	10.8	52559-1190	11
			6.4	9.3	52559-0890	8
			5.4	8.3	52559-0690	6

REVISED IEC NO. J2006-3700 2006/06/16 (DRAWN) MABEI 2006/06/19 (CHK) KATOYODA 2006/06/22 (APP) NUKITA	GENERAL TOLERANCES (UNLESS SPECIFIED)		DIMENSION STYLE MM ONLY		SCALE ---	DESIGN UNITS METRIC	THIRD ANGLE PROJECTION
	10 UNDER	± ---	DRAWN BY S. KAJINUMA	DATE '91/11/13	TITLE 0.5 FPC CONN ASSY ZIF SMT ST EMBSTP PKG		
	10 OVER 30 UNDER	± ---	CHECKED BY S. KUNISHI	DATE '00/12/20	MOLEX INCORPORATED		
	30 OVER	± ---	APPROVED BY M. FUKUSHIMA	DATE '00/12/20	DOCUMENT NO. SD-52559-051		
	ANGULAR	± --- °	MATERIAL NO. SEE CHART		SHEET NO. 2 OF 4		

fb_frame_A3_1_ME_S
Rev. D 2004/04/02

9 8 7 6 5 4 3 2 1 EN-02JA(021)

10 9 8 7 6 5 4 3 2 1

F

E

D

C

B

A

F

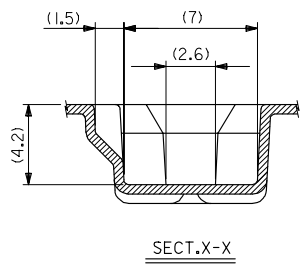
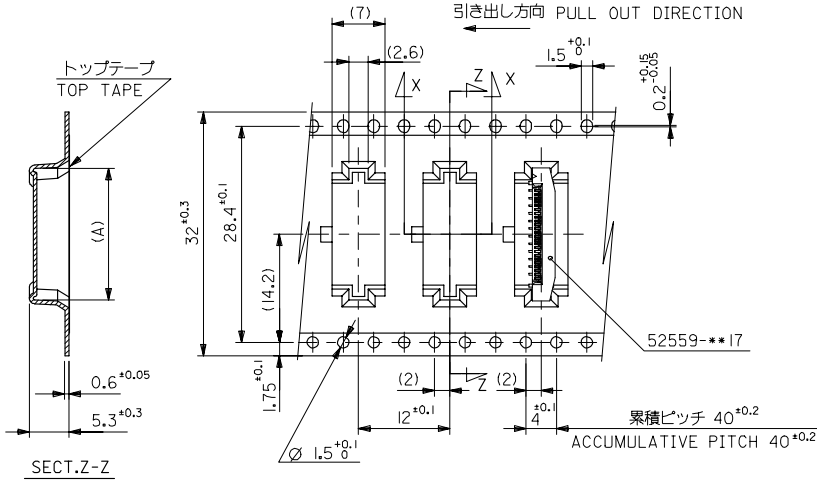
E

D

C

B

A



32mm幅キャリアテープ
32mm WIDTH CARRIER TAPE

32	37.4	33.4	18.9	21.8	52559-3390	33
			18.4	21.3	52559-3290	32
			17.4	20.3	52559-3090	30
			16.4	19.3	52559-2890	28
			15.4	18.3	52559-2690	26
			14.9	17.8	52559-2590	25
			14.4	17.3	52559-2490	24

REVISED IEC NO. J2006-3700 2006/06/16 DRAWN: H. NABEI 2006/06/19 CHKD: K. TOYODA 2006/06/22 APPR: N. KITA	DESCRIPTION	GENERAL TOLERANCES (UNLESS SPECIFIED)	DIMENSION STYLE MM ONLY	SCALE ---	DESIGN UNITS METRIC	THIRD ANGLE PROJECTION
	REV. G	10 UNDER ± ---	DRAWN BY S. KAJIYAMA	DATE '91/11/13	TITLE 0.5 FPC CONN ASSY ZIF SMT ST EMBSTP PKG	
		10 OVER 30 UNDER ± ---	CHECKED BY S. KUNISHI	DATE '00/12/20	MOLEX INCORPORATED	
		30 OVER ± ---	APPROVED BY M. FUKUSHIMA	DATE '00/12/20	DOCUMENT NO. SD-52559-051	
		ANGULAR ± --- °	MATERIAL NO. SEE CHART	SIZE A3	SHEET NO. 3 OF 4	

10 9 8 7 6 5 4 3 2 1

F

E

D

C

B

A

F

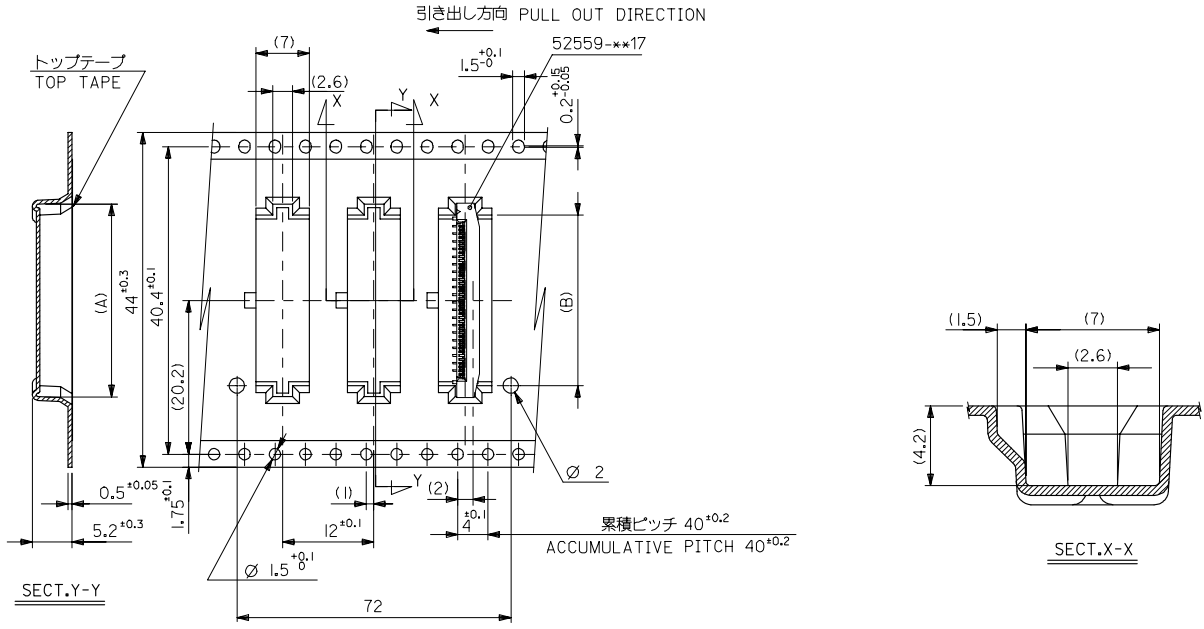
E

D

C

B

A



44mm幅キャリアテープ
44mm WIDTH CARRIER TAPE

44	49.4	45.4	22.4	25.3	52559-4090	40
キャリアテープ幅 CARRIER TAPE WIDTH	D	C	(B)	(A)	52559-3690	36
					MATERIAL NO.	CIRCUIT NO.

REVISED IEC NO: J2006-3700 2006/06/16 DRW:HNABEI 2006/06/19 CHK:KTOYODA 2006/06/19 APPR:NIKIITA 2006/06/17	GENERAL TOLERANCES (UNLESS SPECIFIED)		DIMENSION STYLE MM ONLY		SCALE ---	DESIGN UNITS METRIC	THIRD ANGLE PROJECTION
	10 UNDER	± ---	DRAWN BY S. KAJINUMA	DATE '91/11/13	TITLE 0.5 FPC CONN ASSY ZIF SMT ST EMBSTP PKG MOLEX INCORPORATED DOCUMENT NO. SD-52559-051 SHEET NO. 4 OF 4		
	10 OVER 30 UNDER	± ---	CHECKED BY S. KUNISHI	DATE '00/12/20			
	30 OVER	± ---	APPROVED BY M. FUKUSHIMA	DATE '00/12/20			
	ANGULAR	± --- °	MATERIAL NO.				
DRAFT WHERE APPLICABLE MUST REMAIN WITHIN DIMENSIONS		SEE CHART					

9

8

7

6

5

4

3

2