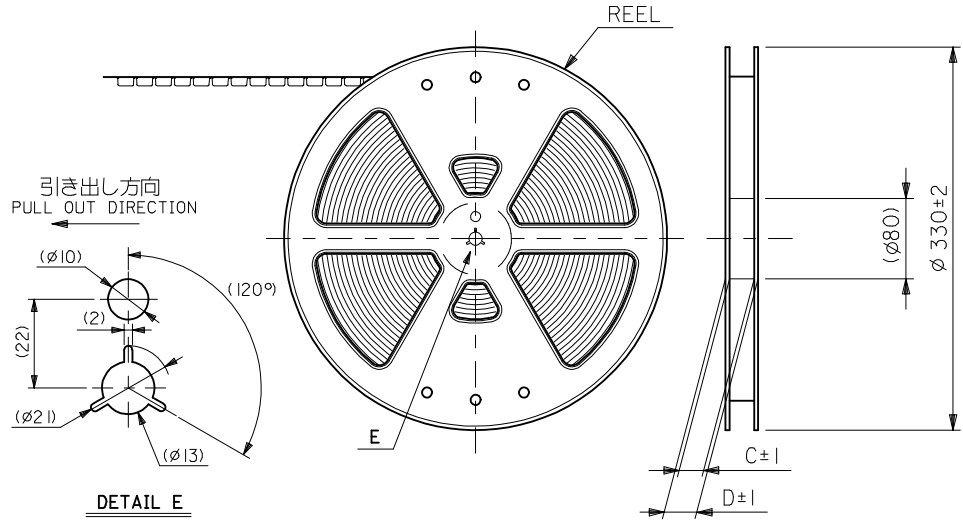
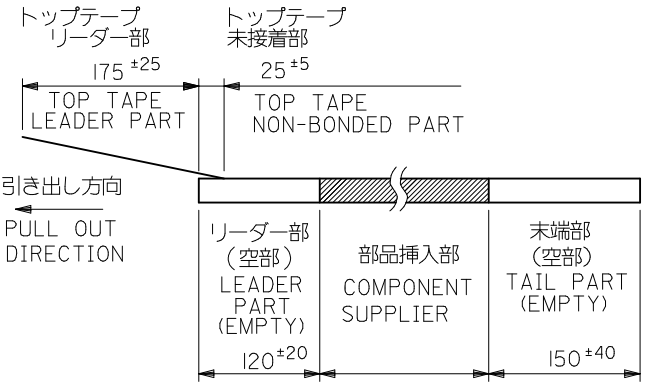


注記 NOTES

- 製品番号 52559-**19 の梱包状態はアクチュエータがロックした状態とする。
 詳細寸法については図面 SD-52559-**19 を参照下さい。
 IN THE PACKAGE,ACTUATOR OF PART NO.52559-**19 SHOULD BE LOCKED
 RE DETAILED DIMENSIONS,SEE SD-52559-**19
- 梱包数量：1000個/リール
 NUMBER OF CONNECTORS:1000PCS/REEL
- リードテープ長さ LEAD TAPE LENGTH



5. 材料
 キャリアテープ：ポリプロピレン (PP)
 トップテープ：PET, PE, PEF
 リール：ポリスチレン (PS) <リサイクル材を含む>

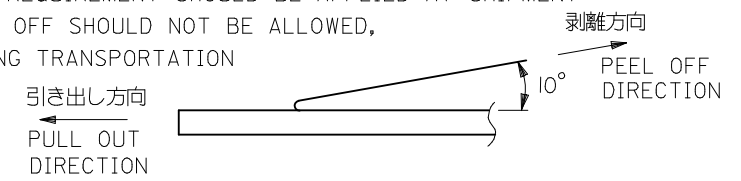
MATERIAL CARRIER TAPE:POLYPROPYLENE
 TOP TAPE:PET,PE,PEF
 REEL:POLYSTYREN(PS)
 <RECYCLE MATERIAL CONTAINED>

6. 本製品は 52559-**90 の鉛フリー品である。
 THIS PRODUCT IS LEAD FREE OF

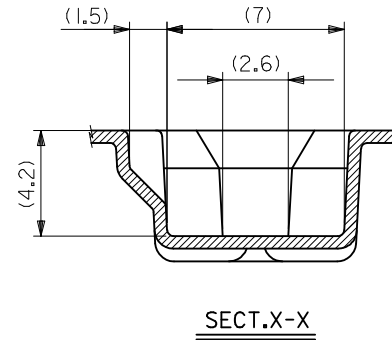
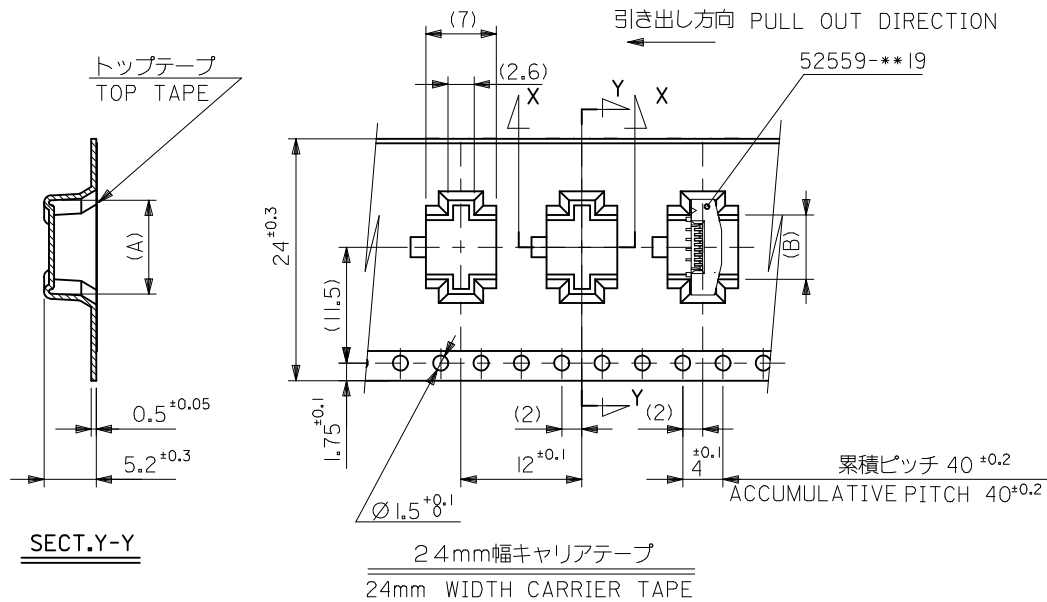
7. 本製品は乾燥剤入り、ハイバリア梱包仕様である。
 THIS PRODUCT IS HIGH BARRIER PACKAGE WITH DESICCANT.

4. トップテープの剥離強度：(剥離方向は下図参照)
 0.1N~1.3N {10gf~130gf}尚、本規格値は、出荷時に適用。
 (但し、輸送時に剥離が発生しない事。)

PEELING OFF FORCE OF TOP TAPE
 0.1~1.3N(10gf~130gf)(PEELING DIRECTION AS SHOWN IN FOLLOWING FIG.)
 THIS REQUIREMENT SHOULD BE APPLIED AT SHIPMENT
 PEEL OFF SHOULD NOT BE ALLOWED,
 DURING TRANSPORTATION



REVISED EC NO: J2009-2061 DRWN:TKON 2009/05/20 CHKD:HMATSUMOTO 2009/05/21 APPR:NIKIITA 2009/05/21	GENERAL TOLERANCES (UNLESS SPECIFIED)		DIMENSION STYLE MM ONLY		SCALE ---	52559-**70	MODEL NO.
	10 UNDER ±0.2		DRAWN BY HSHIMABUKURO	DATE '04/01/07	TITLE	0.5 FPC CONN ASSY ZIF SMT SMT EMBSTP PKG -LEAD FREE-	
	10 OVER 30 UNDER ±0.25		CHECKED BY KTOJO	DATE '04/01/07	MOLEX INCORPORATED		
	30 OVER ±0.3		APPROVED BY MSASAO	DATE '04/01/07			
DESCRIPTION	ANGULAR ±3 °	MATERIAL NO. SEE SHEET 2-4		DOCUMENT NO. SD-52559-029		THIRD ANGLE PROJECTION	
REV	DRAFT WHERE APPLICABLE MUST REMAIN WITHIN DIMENSIONS		SIZE A3	THIS DRAWING CONTAINS INFORMATION THAT IS PROPRIETARY TO MOLEX INCORPORATED AND SHOULD NOT BE USED WITHOUT WRITTEN PERMISSION			

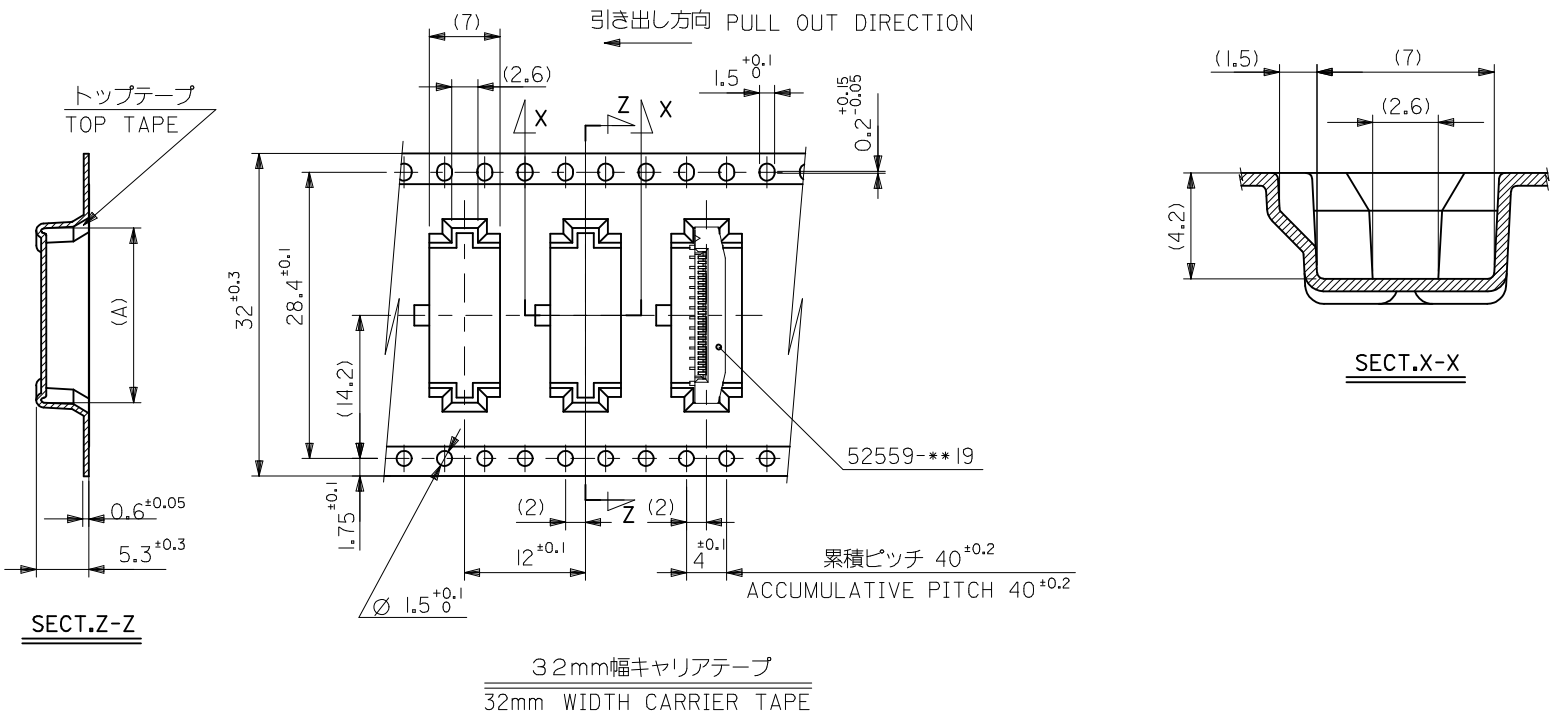


24	29.4	25.4	13.4	16.3	52559-2270	22
			12.4	15.3	52559-2070	20
			11.9	14.8	52559-1970	19
			11.4	14.3	52559-1870	18
			10.4	13.3	52559-1670	16
			9.9	12.8	52559-1570	15
			9.4	12.3	52559-1470	14
			8.9	11.8	52559-1370	13
			8.4	11.3	52559-1270	12
			7.9	10.8	52559-1170	11
6.4	9.3	52559-0870	8			
5.4	8.3	52559-0670	6			

MODEL No.52559-**-70 キャリアテープ幅
CARRIER TAPE WIDTH

REVISED EC NO.: J2009-2061 DRWN:TKON 2009/05/20 CHKD:HMATSUMOTO 2009/05/21 APPR:NUKITA 2009/05/21	GENERAL TOLERANCES (UNLESS SPECIFIED)		DIMENSION STYLE	SCALE	DESIGN UNITS	THIRD ANGLE PROJECTION
	10 UNDER	±0.2	MM ONLY	---	METRIC	☉
	10 OVER 30 UNDER	±0.25	DRAWN BY DATE	TITLE		
	30 OVER	±0.3	CHECKED BY DATE	0.5 FPC CONN ASSY ZIF SMT SMT EMBSTP PKG -LEAD FREE-		
DESCRIPTION REV	ANGULAR	±3 °	APPROVED BY DATE	MOLEX INCORPORATED		
	DRAFT WHERE APPLICABLE MUST REMAIN WITHIN DIMENSIONS		MATERIAL NO.	DOCUMENT NO.	SHEET NO.	
			SEE TABLE	SD-52559-029	2 OF 4	

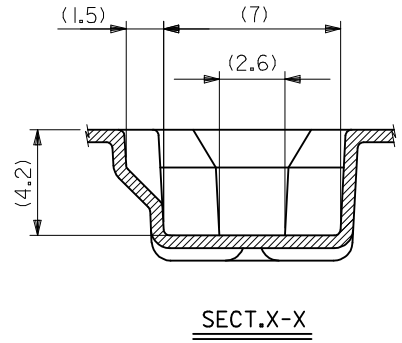
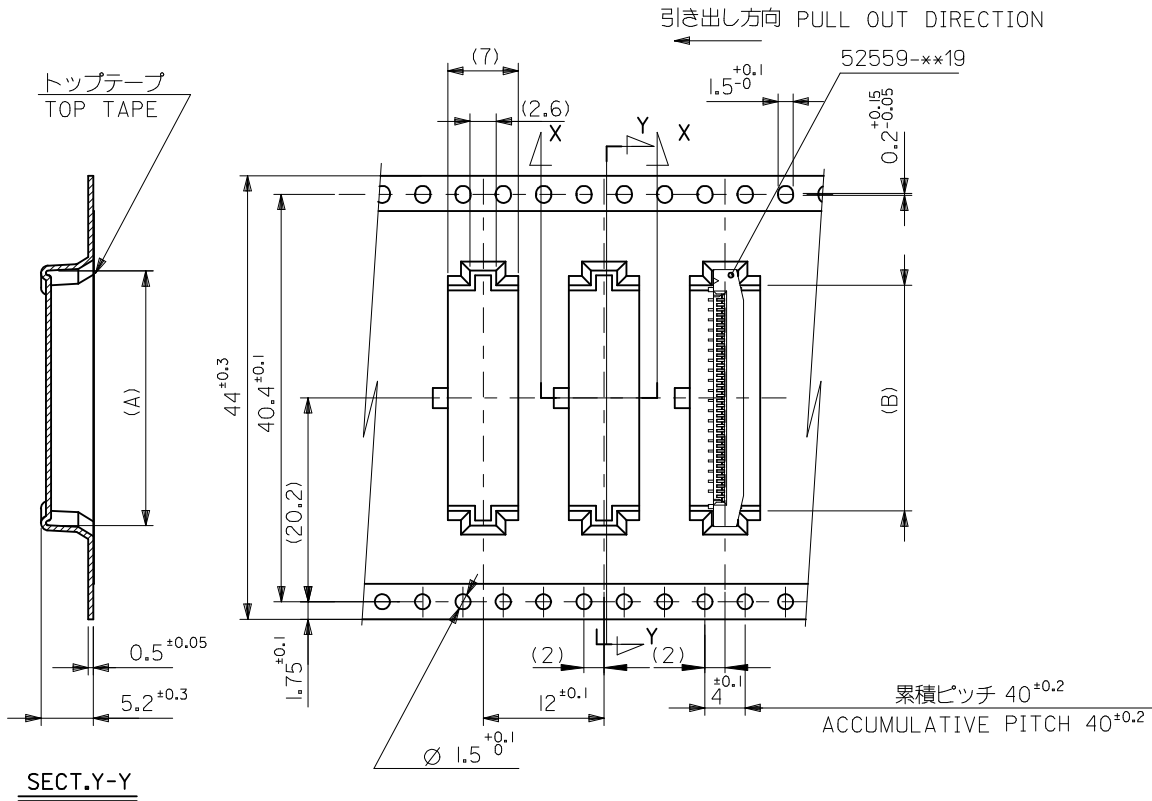
THIS DRAWING CONTAINS INFORMATION THAT IS PROPRIETARY TO MOLEX INCORPORATED AND SHOULD NOT BE USED WITHOUT WRITTEN PERMISSION



32	37.4	33.4	18.9	21.8	52559-3370	33
			18.4	21.3	52559-3270	32
			17.4	20.3	52559-3070	30
			16.4	19.3	52559-2870	28
			15.4	18.3	52559-2670	26
			14.9	17.8	52559-2570	25
			14.4	17.3	52559-2470	24

MODEL No.52559-**70 キャリアテープ幅 CARRIER TAPE WIDTH D C (B) (A) MATERIAL. NO. 極致 CIRCUIT

REVISED EC NO: J2009-2061 DRWN:TKON 2009/05/20 CHKD:HMATSUMOTO 2009/05/21 APPR:NUKITA 2009/05/21	DESCRIPTION	GENERAL TOLERANCES (UNLESS SPECIFIED)	DIMENSION STYLE	SCALE	DESIGN UNITS	THIRD ANGLE PROJECTION	
	REV	10 UNDER ±0.2	MM ONLY	---	METRIC	☉	
		10 OVER 30 UNDER ±0.25	DRAWN BY DATE	TITLE			
		30 OVER ±0.3	CHECKED BY DATE	0.5 FPC CONN ASSY ZIF SMT SMT EMBSTP PKG -LEAD FREE-			
	ANGULAR ±3 °	APPROVED BY DATE	MOLEX INCORPORATED				
	DRAFT WHERE APPLICABLE MUST REMAIN WITHIN DIMENSIONS	MATERIAL NO.	SEE TABLE		DOCUMENT NO.	SHEET NO.	
		SIZE	THIS DRAWING CONTAINS INFORMATION THAT IS PROPRIETARY TO MOLEX INCORPORATED AND SHOULD NOT BE USED WITHOUT WRITTEN PERMISSION				

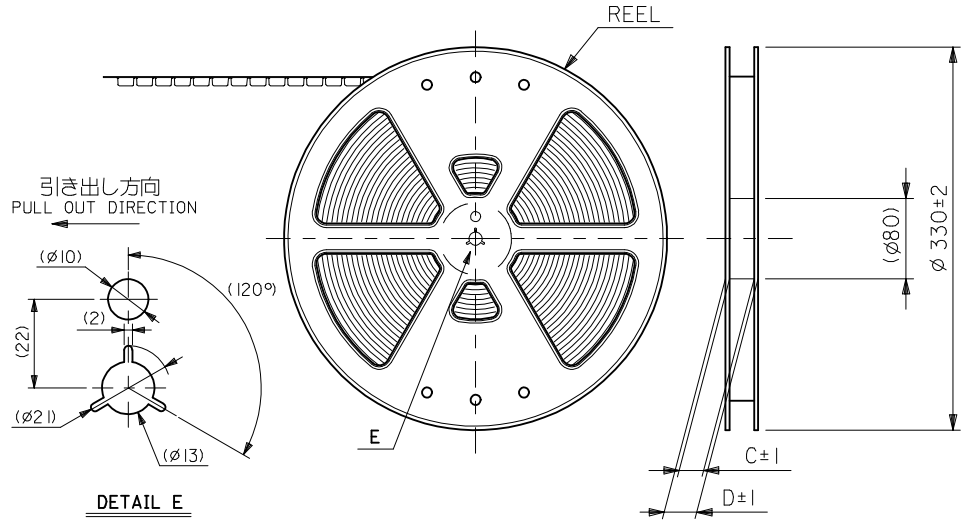
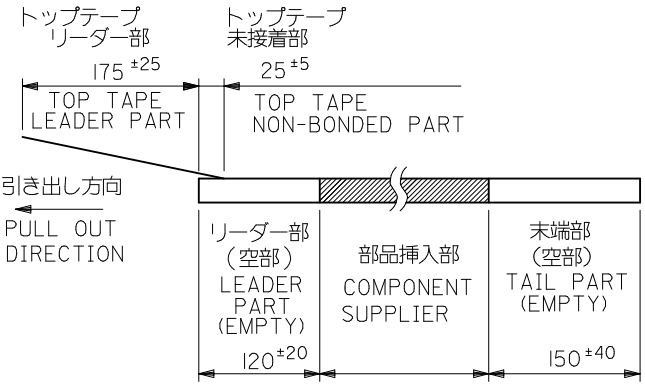


44mm幅キャリアテープ
44mm WIDTH CARRIER TAPE

REVISED EC NO: J2009-2061 DRWN:TKON 2009/05/20 CHKD:HATSUMOTO 2009/05/21 APPR:NUKITA 2009/05/21	DESCRIPTION 10 UNDER ±0.2 10 OVER 30 UNDER ±0.25 30 OVER ±0.3 ANGULAR ±3 ° DRAFT WHERE APPLICABLE MUST REMAIN WITHIN DIMENSIONS	MODEL No.52559-**70		44	49.4	45.4	22.4	25.3	52559-4070	40
		キャリアテープ幅 CARRIER TAPE WIDTH		D	C	(B)	(A)	(B)	52559-3670	36
		GENERAL TOLERANCES (UNLESS SPECIFIED)		DIMENSION STYLE MM ONLY		SCALE ---		DESIGN UNITS METRIC		THIRD ANGLE PROJECTION
D	REV	DRAWN BY HSHIMABUKURO		DATE '04/01/07		TITLE 0.5 FPC CONN ASSY ZIF SMT ST EMBSTP PKG -LEAD FREE-				
		CHECKED BY KTOJO		DATE '04/01/07		APPROVED BY MSASAO '04/01/07				
		APPROVED BY MSASAO		DATE '04/01/07		MATERIAL NO. SEE TABLE				
		MATERIAL NO. SEE TABLE		DOCUMENT NO. SD-52559-029		SHEET NO. 4 OF 4				
		SIZE A3		THIS DRAWING CONTAINS INFORMATION THAT IS PROPRIETARY TO MOLEX INCORPORATED AND SHOULD NOT BE USED WITHOUT WRITTEN PERMISSION						

注記 NOTES

- 製品番号 52559-**19 の梱包状態はアクチュエータがロックした状態とする。
 詳細寸法については図面 SD-52559-**19 を参照下さい。
 IN THE PACKAGE,ACTUATOR OF PART NO.52559-**19 SHOULD BE LOCKED
 RE DETAILED DIMENSIONS,SEE SD-52559-**19
- 梱包数量：1000個/リール
 NUMBER OF CONNECTORS:1000PCS/REEL
- リードテープ長さ LEAD TAPE LENGTH



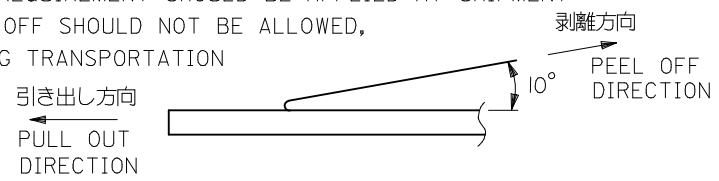
5. 材料
 キャリアテープ：ポリプロピレン (PP)
 トップテープ：PET, PE, PEF
 リール：ポリスチレン (PS) <リサイクル材を含む>

MATERIAL CARRIER TAPE:POLYPROPYLENE
 TOP TAPE:PET,PE,PEF
 REEL:POLYSTYREN(PS)
 <RECYCLE MATERIAL CONTAINED>

6. 本製品は 52559-**90 の鉛フリー品である。
 THIS PRODUCT IS LEAD FREE OF

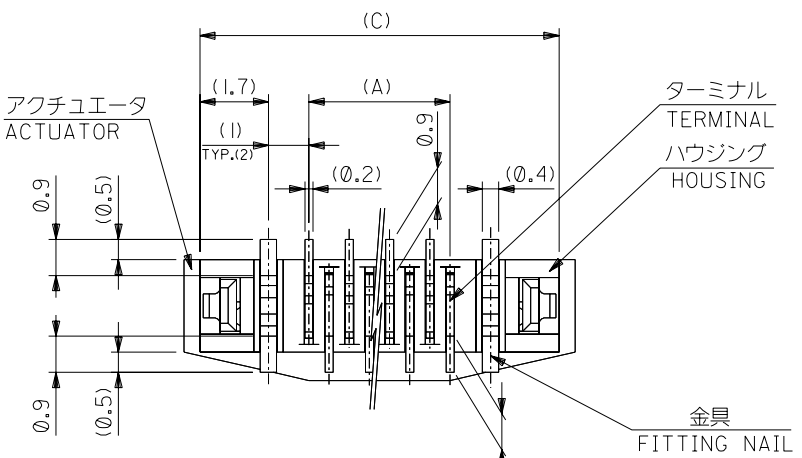
7. 本製品は乾燥剤入り、ハイバリア梱包仕様である。
 THIS PRODUCT IS HIGH BARRIER PACKAGE WITH DESICCANT.

4. トップテープの剥離強度：(剥離方向は下図参照)
 0.1N~1.3N {10gf~130gf}尚、本規格値は、出荷時に適用。
 (但し、輸送時に剥離が発生しない事。)
 PEELING OFF FORCE OF TOP TAPE
 0.1~1.3N(10gf~130gf)(PEELING DIRECTION AS SHOWN IN FOLLOWING FIG.)
 THIS REQUIREMENT SHOULD BE APPLIED AT SHIPMENT
 PEEL OFF SHOULD NOT BE ALLOWED,
 DURING TRANSPORTATION

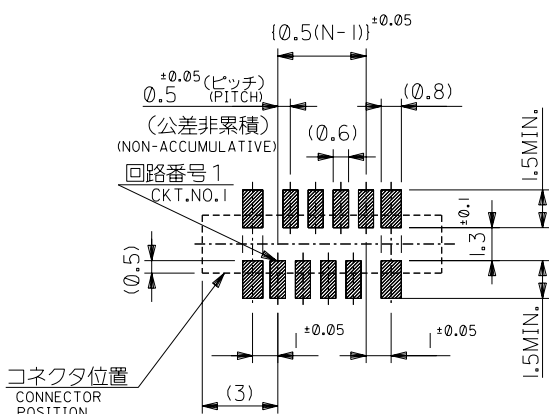
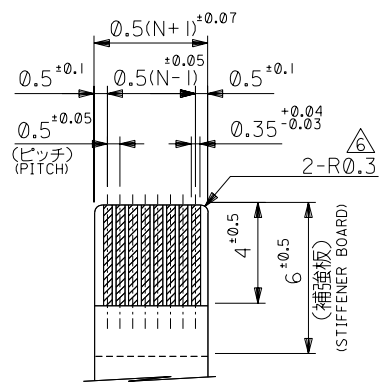
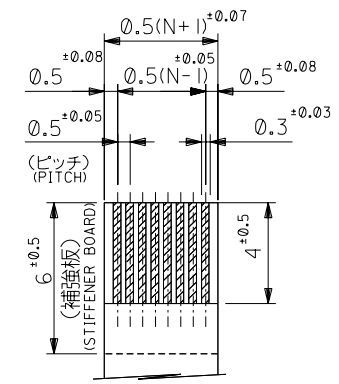


REVISED EC NO: J2009-2061 DRWN:TKON 2009/05/20 CHKD:HMATSUMOTO 2009/05/21 APPR:NIKIITA 2009/05/21	DESCRIPTION D	GENERAL TOLERANCES (UNLESS SPECIFIED)		DIMENSION STYLE MM ONLY		SCALE ---	52559-**70	MODEL NO.	
		10 UNDER	±0.2	DRAWN BY HSHIMABUKURO	DATE '04/01/07	TITLE	0.5 FPC CONN ASSY ZIF SMT SMT EMBSTP PKG -LEAD FREE-		
		10 OVER 30 UNDER	±0.25	CHECKED BY KTOJO	DATE '04/01/07	MOLEX INCORPORATED		DESIGN UNITS METRIC	THIRD ANGLE PROJECTION
		30 OVER	±0.3	APPROVED BY MSASAO	DATE '04/01/07	MATERIAL NO. SEE SHEET 2-4	DOCUMENT NO. SD-52559-029	SHEET NO. 1 OF 4	
ANGULAR ±3 °		DRAFT WHERE APPLICABLE MUST REMAIN WITHIN DIMENSIONS		THIS DRAWING CONTAINS INFORMATION THAT IS PROPRIETARY TO MOLEX INCORPORATED AND SHOULD NOT BE USED WITHOUT WRITTEN PERMISSION					

DWG. NO. SD-52559-045



下面図
BOTTOM VIEW



適合FPC推奨寸法
APPLICABLE FPC
RECOMMENDED DIMENSION.
(仕上がり厚さ: 0.3 ±0.05)
(THICKNESS: 0.3 ±0.05)

適合FPC推奨寸法
APPLICABLE FPC
RECOMMENDED DIMENSION.
(仕上がり厚さ: 0.3 ±0.05)
(THICKNESS: 0.3 ±0.05)

FPCについて:
打抜き方向は導体側から補強板側を推奨致します。
補強フィルム材質はポリイミドを推奨致します。
接着剤は熱硬化接着剤を推奨致します。

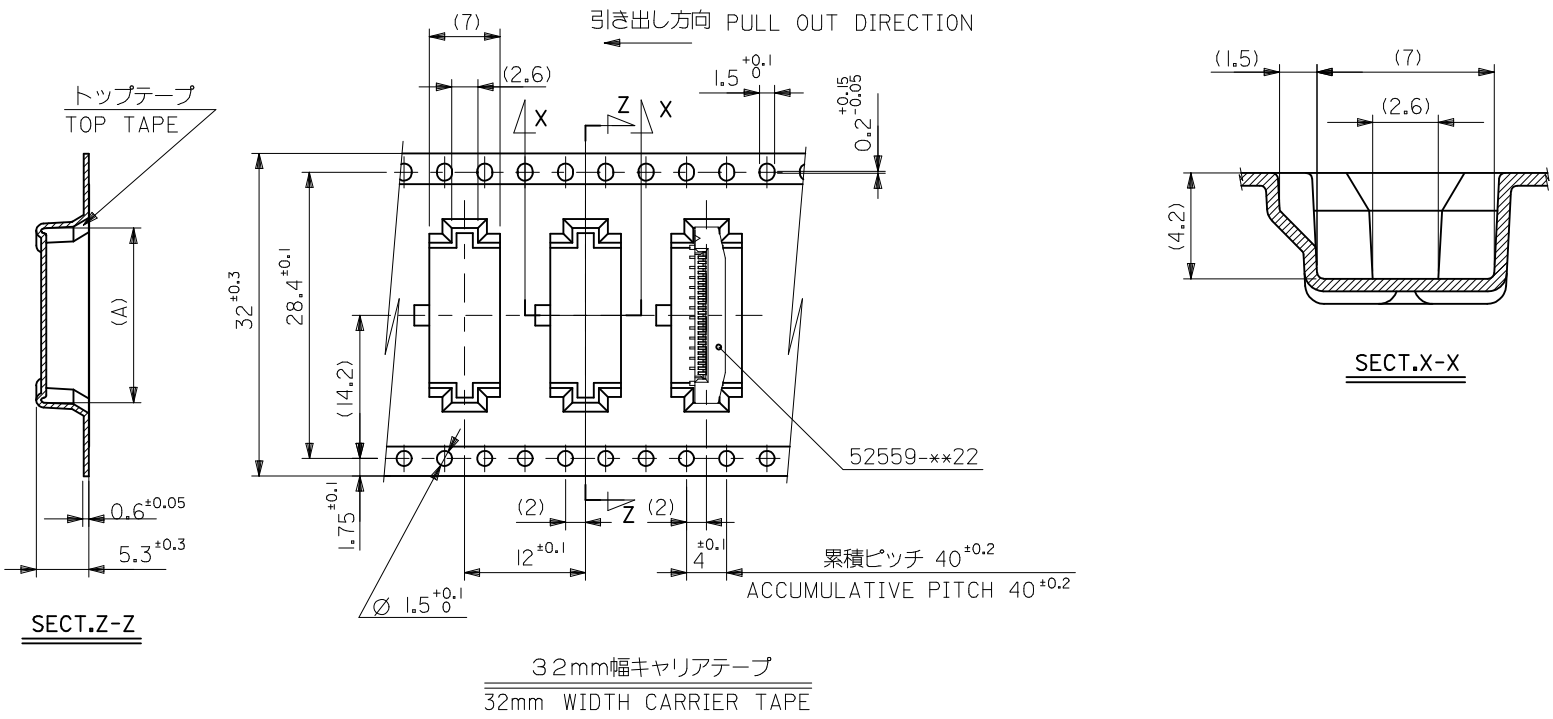
ABOUT FPC:
RECOMMENDED PUNCHER DIRECTION: FROM CONDUCTOR SIDE TO STIFFENER BOARD SIDE.
RECOMMENDED MATERIAL:
STIFFENER FILM: POLYIMIDE
BONDING AGENT: THERMOSETTING BONDING AGENT

25.7	24.9	20.65	19.5	52559-4019	40
23.7	22.9	18.65	17.5	-3619	36
22.2	21.4	17.15	16.0	-3319	33
21.7	20.9	16.65	15.5	-3219	32
21.2	20.4	16.15	15.0	-3119	31
20.7	19.9	15.65	14.5	-3019	30
20.2	19.4	15.15	14.0	-2919	29
19.7	18.9	14.65	13.5	-2819	28
19.2	18.4	14.15	13.0	-2719	27
18.7	17.9	13.65	12.5	-2619	26
18.2	17.4	13.15	12.0	-2519	25
17.7	16.9	12.65	11.5	-2419	24
17.2	16.4	12.15	11.0	-2319	23
16.7	15.9	11.65	10.5	-2219	22
16.2	15.4	11.15	10.0	-2119	21
15.7	14.9	10.65	9.5	-2019	20
15.2	14.4	10.15	9.0	-1919	19
14.7	13.9	9.65	8.5	-1819	18
14.2	13.4	9.15	8.0	-1719	17
13.7	12.9	8.65	7.5	-1619	16
13.2	12.4	8.15	7.0	-1519	15
12.7	11.9	7.65	6.5	-1419	14
12.2	11.4	7.15	6.0	-1319	13
11.7	10.9	6.65	5.5	-1219	12
11.2	10.4	6.15	5.0	-1119	11
10.7	9.9	5.65	4.5	-1019	10
10.2	9.4	5.15	4.0	-0919	9
9.7	8.9	4.65	3.5	-0819	8
8.7	7.9	3.65	2.5	52559-0619	6
D	C	B	(A)	MATERIAL NO.	極数

DO NOT SCALE DRAWING

図番 NO. DRAWN: CH'K: APPR: 図番 NO. DRAWN: CH'K: APPR: 図番 NO. DRAWN: CH'K: APPR:	REVISED 図番 NO. J2004-3551 DRAWN: H.KAWABATA '04/04/05 CH'K: K.TOJO '04/04/05 APPR: H. Saito '04/04/05 RELEASED 図番 NO. J2004-1818 DRAWN: H.SHIMABUKURO '04/01/07 CH'K: K.TOJO '04/01/07 APPR: H. Saito '04/01/07	MATERIAL 材料 注記参照 SEE NOTES	GENERAL TOLERANCES: (UNLESS SPECIFIED) 一般公差 10 UNDER 未滿 ±0.2 10 OVER 以上 30 UNDER 未滿 ±0.25 30 OVER 以上 ±0.3 ANGLE 角度 ±3°	SCALE DESIGN UNITS <input checked="" type="checkbox"/> mm <input type="checkbox"/> INCH PROJECTION <input checked="" type="checkbox"/> FIRST ANGLE DRAWN BY & DATE H.SHIMABUKURO '04/01/07 CHECKED BY & DATE K.TOJO '04/01/07 APPROVED BY & DATE H. Saito '04/01/07	MODEL NO. 52559-***19 DIMENSIONS: <input type="checkbox"/> mm <input type="checkbox"/> INCH <input checked="" type="checkbox"/> mm ONLY SHT REV REVISION ON CAD ONLY	TITLE: 0.5 FPC Conn. Assy ZIF. -LEAD FREE- MOLEX MOLEX INCORPORATED	CAD FILENAME SD-52559-045.S02 MATERIAL NO. SEE CHART DRAWING NO. SD-52559-045 SHEET NO. 2 OF 2	此図は DRAWING CONTAINS INFORMATION THAT IS PROPRIETARY TO MOLEX INCORPORATED AND SHOULD NOT BE USED WITHOUT WRITTEN PERMISSION. SIZE B

SD-52559-045.S02



32mm幅キャリアテープ
32mm WIDTH CARRIER TAPE

32	37.4	33.4	18.9	21.8	52559-3334	33
			16.4	19.3	52559-2834	28
			14.9	17.8	52559-2534	25
			14.4	17.3	52559-2434	24

SEE SHEET 1 OF 3 EC NO: J2013-1014 DRWN:NASANUMA 2013/02/23 CHKD:KTAKAHASHI 2013/02/23 APPR:KMORIKAWA 2013/03/15	DESCRIPTION REV 0	GENERAL TOLERANCES (UNLESS SPECIFIED)	MODEL No.52559-**-34	キャリアテープ幅 CARRIER TAPE WIDTH	D	C	(B)	(A)	MATERIAL NO.	種数 CIRCUIT	
		10 UNDER ±0.2	DIMENSION STYLE		SCALE	DESIGN UNITS		THIRD ANGLE PROJECTION			
		10 OVER 30 UNDER ±0.25	MM ONLY		---	METRIC					
		30 OVER ±0.3	DRAWN BY DATE		TITLE		EMBOSS PACKAGED FOR 0.5MM FPC CONN ZIF S/T HOUSING ASSY				
		ANGULAR ±3 °	NASANUMA 2013/02/23								
DRAFT WHERE APPLICABLE MUST REMAIN WITHIN DIMENSIONS	CHECKED BY DATE		SEE CHART		DOCUMENT NO.		SHEET NO.				
		KTAKAHASHI 2013/02/23		THIS DRAWING CONTAINS INFORMATION THAT IS PROPRIETARY TO MOLEX INCORPORATED AND SHOULD NOT BE USED WITHOUT WRITTEN PERMISSION		SD-52559-059		3 OF 3			
		APPROVED BY DATE									
		KMORIKAWA 2013/03/15									

Mouser Electronics

Authorized Distributor

Click to View Pricing, Inventory, Delivery & Lifecycle Information:

[Molex:](#)

[52559-2570](#) [52559-0870](#) [52559-2270](#) [52559-1870](#)