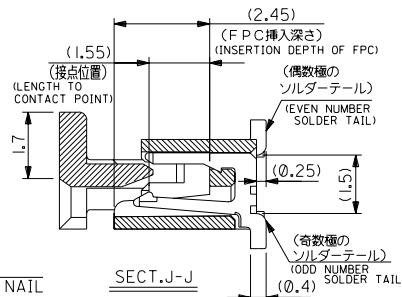
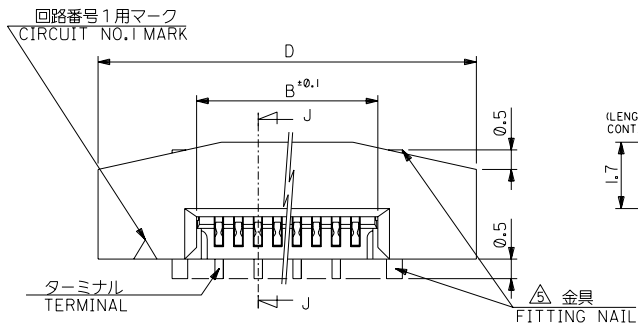
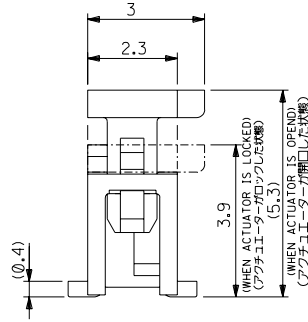
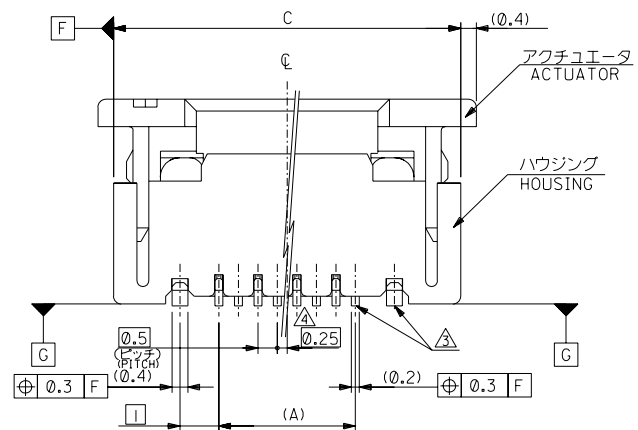


DWG. NO. SD-52559-044



注記 NOTES

- 使用材料 : MATERIAL
 - ハウジング : 46NYLON UL94V-0
 - ハウジング HOUSING
 - アクチュエータ : PPS UL94V-0
 - アクチュエータ ACTUATOR
 - ターミナル : リン青銅, 銅下地半田メッキ (t=0.2)
 - TERMINAL PHOS-BRO.TIN-LEAD(9:1) 3~5 MICRON METER OVER COPPER 1~2.5 MICRON METER PLATED
 - 金具 : リン青銅, 銅下地半田メッキ (t=0.4)
 - FITTING NAIL PHOS-BRO.TIN-LEAD(9:1) 3~5 MICRON METER OVER COPPER 1~2.5 MICRON METER PLATED
- エンボスステップ埋め時は、アクチュエータがロックした状態とする。
 IN THE PACKAGE, ACTUATOR OF PART NO.52559-***17 SHOULD BE LOCKED.
 ソルダテール半田付け面のズレ量、及び金具半田付け面のズレ量は、基準面 G に対し上方向 0.05 MAX., 下方向 0.15 MAX. とする。
 MISALIGNMENT OF SOLDER TAILS AND FITTING NAILS FROM UPPER DIRECTION: 0.05 MAX., LOWER DIRECTION: 0.15 MAX.
 偶数種に適用。
 APPLY FOR EVEN CIRCUIT.
 パターンはくり止め用金具。
 FITTING NAIL FOR PREVENTION OF PEELING OF P.C.B. PATTERN.
 R0.3は、F.P.Cの導体部にかからないこと。
 R0.3 MUST NOT BE OVERLAPPED TO PATTERN OF FPC.



DO NOT SCALE DRAWING	E84NO. DRWN: CHK: APPR:	E83NO. DRWN: CHK: APPR:	E82NO. DRWN: CHK: APPR:	E81NO. DRWN: CHK: APPR:	E80NO. J2003-2624 DRWN: K. TOJO CHK: H. SAKABE APPR: H. SAKABE	MATERIAL 材料	注記参照	GENERAL TOLERANCES: (UNLESS SPECIFIED) 一般公差	SCALE	DESIGN UNITS	DIMENSIONS: 寸法	SHT	REV
						FINISH 仕上げ	SEE NOTES	10 UNDER 未満 +0.2	DRAWN BY & DATE K. TOJO '03/04/17	APPLY FOR 2ND ANGLE PROJECTION	mm ONLY	2	1
						WIRE RANGE 適用電線範囲		10 OVER 以上 30 UNDER 未満 +0.25	CHECKED BY & DATE H. SAKABE '03/04/17	TITLE: 0.5 FPC Conn. Assy ZIF.			
						INS. RANGE 被覆外径		30 OVER 以上 +0.3	APPROVED BY & DATE H. SAKABE '03/04/17	MOLEX INCORPORATED			
						REV		ANGLE 角度 +3°	CAD FILENAME SD-52559-044.S01	MATERIAL NO. 52559-***17	DRAWING NO. SD-52559-044	SHEET NO. 1 OF 2	SIZE B
									DRAWING CONTAINS INFORMATION THAT IS PROPRIETARY TO MOLEX INCORPORATED AND SHOULD NOT BE USED WITHOUT WRITTEN PERMISSION.				EN-02J(097) MXJ-54

DWG. NO. SD-52559-044

F

D

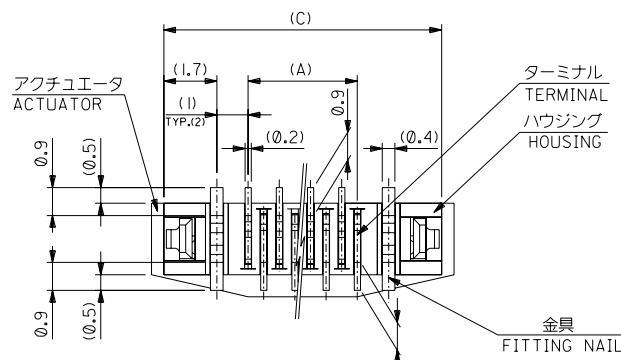
V

C

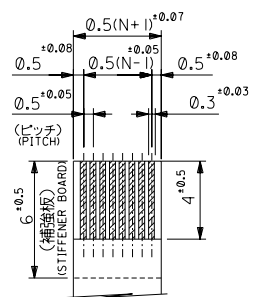
B

DO NOT SCALE DRAWING

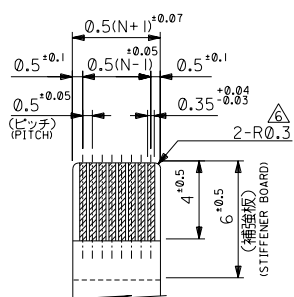
8 7 6 5 4 3 2 1



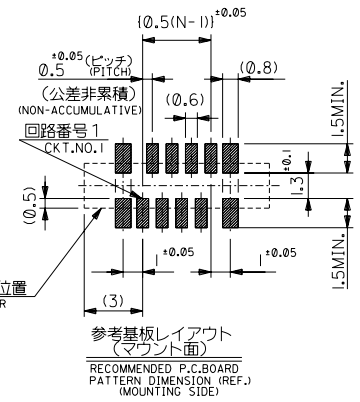
下面図
BOTTOM VIEW



適合 FFC 推奨寸法
APPLICABLE FFC
RECOMMENDED DIMENSION.
(仕上がり厚さ: 0.3^{+0.05})
(THICKNESS: 0.3^{+0.05})



適合 FPC 推奨寸法
APPLICABLE FPC
RECOMMENDED DIMENSION.
(仕上がり厚さ: 0.3^{+0.05})
(THICKNESS: 0.3^{+0.05})



25.7	24.9	20.65	19.5	52559-4017	40
25.2	24.4	20.15	19.0	-3917	39
24.7	23.9	19.65	18.5	-3817	38
24.2	23.4	19.15	18.0	-3717	37
23.7	22.9	18.65	17.5	-3617	36
23.2	22.4	18.15	17.0	-3517	35
22.7	21.9	17.65	16.5	-3417	34
22.2	21.4	17.15	16.0	-3317	33
21.7	20.9	16.65	15.5	-3217	32
21.2	20.4	16.15	15.0	-3117	31
20.7	19.9	15.65	14.5	-3017	30
20.2	19.4	15.15	14.0	-2917	29
19.7	18.9	14.65	13.5	-2817	28
19.2	18.4	14.15	13.0	-2717	27
18.7	17.9	13.65	12.5	-2617	26
18.2	17.4	13.15	12.0	-2517	25
17.7	16.9	12.65	11.5	-2417	24
17.2	16.4	12.15	11.0	-2317	23
16.7	15.9	11.65	10.5	-2217	22
16.2	15.4	11.15	10.0	-2117	21
15.7	14.9	10.65	9.5	-2017	20
15.2	14.4	10.15	9.0	-1917	19
14.7	13.9	9.65	8.5	-1817	18
14.2	13.4	9.15	8.0	-1717	17
13.7	12.9	8.65	7.5	-1617	16
13.2	12.4	8.15	7.0	-1517	15
12.7	11.9	7.65	6.5	-1417	14
12.2	11.4	7.15	6.0	-1317	13
11.7	10.9	6.65	5.5	-1217	12
11.2	10.4	6.15	5.0	-1117	11
10.7	9.9	5.65	4.5	-1017	10
10.2	9.4	5.15	4.0	-0917	9
9.7	8.9	4.65	3.5	-0817	8
9.2	8.4	4.15	3.0	-0717	7
8.7	7.9	3.65	2.5	52559-0617	6
D	C	B	(A)	MATERIAL NO.	種数 CRT.

F

E

D

C

B

SD-52559-044.02

DESIGNER	DRWING	CHK'G	APPR	DESIGNER	DRWING	CHK'G	APPR	DESIGNER	DRWING	CHK'G	APPR	DESIGNER	DRWING	CHK'G	APPR

REWORK	REASON	DATE
REDRAWN	J2003-2624	
DRWING	K. TOJO	
CHK'G	H. Sano	
APPR	H. Sano	

MATERIAL	注記参照
FINISH	仕上げ
WIRE RANGE	適用電線範囲
INS. RANGE	適用電線径

GENERAL TOLERANCES: (UNLESS SPECIFIED)	SCALE	DESIGN UNITS	DIMENSIONS:	SHT	REV
10 UNDER 未満	1:1	mm	mm	2	2
10 OVER 以上		INCH	INCH		
30 UNDER 未満			mm ONLY		
30 OVER 以上					
ANGLE 角度					

TITLE: 0.5 FPC Conn. Assy ZIF.

MOLEX INCORPORATED

CAD FILENAME: SD-52559-044.S02

MATERIAL NO.: 52559-0617

DRAWING NO.: SD-52559-044

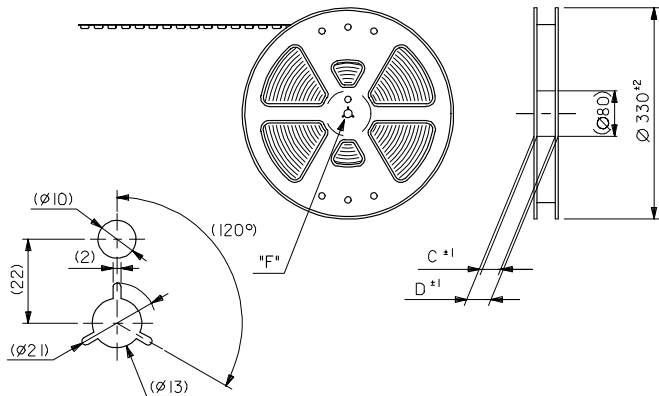
SHEET NO.: 2 OF 2

SIZE: B

EN-02J(097) MXJ-54

10 9 8 7 6 5 4 3 2 1

引き出し方向
PULL OUT
DIRECTION



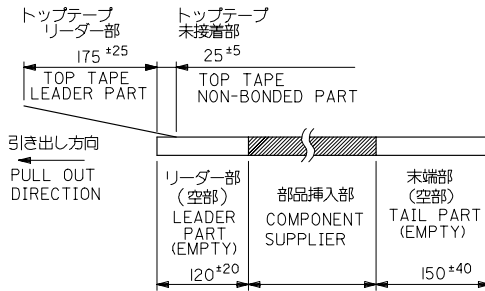
DETAIL "F"

5. 材料 キャリアテープ: ポリプロピレン (PP)
 トップテープ: PET, PE, PEF
 リール: ポリスチレン (PS) <リサイクル材を含む>

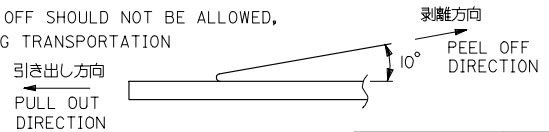
MATERIAL CARRIER TAPE: POLYPROPYLENE
 TOP TAPE: PET, PE, PEF
 REEL: POLYSTYRENE (PS)
 <RECYCLE MATERIAL CONTAINED>

注記 NOTES

- 製品番号 52559-**17 の梱包状態はアクチュエータがロックした状態とする。
 詳細寸法については図面 SD-52559-**17 を参照下さい。
 IN THE PACKAGE, ACTUATOR OF PART NO.52559-**17 SHOULD BE LOCKED
 RE DETAILED DIMENSIONS, SEE SD-52559-**17
- 梱包数量: 1000個/リール
 NUMBER OF CONNECTORS: 1000PCS/REEL
- リードテープ長さ LEAD TAPE LENGTH



- トップテープの剥離強度: (剥離方向は下図参照)
 0.1N~0.7N (10.2gf~71.4gf) 尚、本規格値は、出荷時に適用。
 (但し、輸送時に剥離が発生しない事。)
 PEELING OFF FORCE OF TOP TAPE
 0.1N~0.7N (10.2gf~71.4gf) (PEELING DIRECTION AS SHOWN IN FOLLOWING FIG.)
 THIS REQUIREMENT SHOULD BE APPLIED AT SHIPMENT
 PEEL OFF SHOULD NOT BE ALLOWED,
 DURING TRANSPORTATION



REVISED EC NO: J2006-3700 2006/06/16 DRAWN: HABEI CHKD: KUYODA 2006/06/19 APPR: NUKITA 2006/06/22	GENERAL TOLERANCES (UNLESS SPECIFIED)		DIMENSION STYLE MM ONLY		SCALE ---	52559-**90	MODEL NO.
	10 UNDER	±---	DRAWN BY S. KAJIYUMA	DATE '91/11/13	TITLE	0.5 FPC CONN ASSY ZIF SMT ST EMBSTP PKG	
	10 OVER 30 UNDER	±---	CHECKED BY S. KUNISHI	DATE '00/12/20		MOLEX INCORPORATED	
	30 OVER	±---	APPROVED BY M. FUKUSHIMA	DATE '00/12/20		DOCUMENT NO. SD-52559-051	SHEET NO. 1 OF 4
G	ANGULAR	±--- °	MATERIAL NO. SEE CHART		THIS DRAWING CONTAINS INFORMATION THAT IS PROPRIETARY TO MOLEX INCORPORATED AND SHOULD NOT BE USED WITHOUT WRITTEN PERMISSION		

10 9 8 7 6 5 4 3 2 1

F F

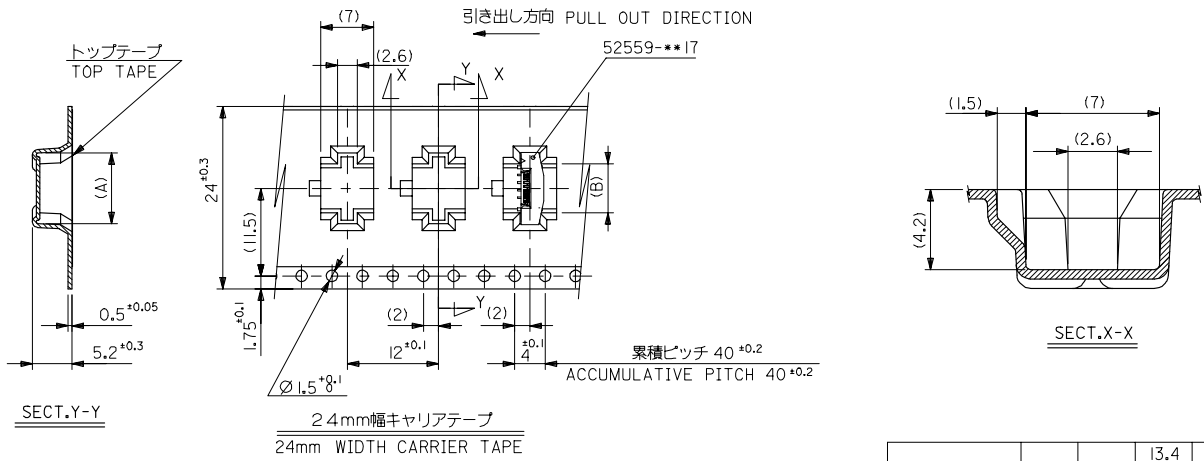
E E

D D

C C

B B

A A



24	29.4	25.4	13.4	16.3	52559-2290	22
			12.4	15.3	52559-2090	20
			11.9	14.8	52559-1990	19
			11.4	14.3	52559-1890	18
			10.4	13.3	52559-1690	16
			9.9	12.8	52559-1590	15
			9.4	12.3	52559-1490	14
			8.9	11.8	52559-1390	13
			8.4	11.3	52559-1290	12
			7.9	10.8	52559-1190	11
			6.4	9.3	52559-0890	8
			5.4	8.3	52559-0690	6

REVISED IEC NO: J2006-3700 2006/06/16 (DRAWN) MABEI 2006/06/19 (CHK) KATOYODA 2006/06/22 (APP) NUKITA	GENERAL TOLERANCES (UNLESS SPECIFIED)		DIMENSION STYLE MM ONLY		SCALE ---	DESIGN UNITS METRIC	THIRD ANGLE PROJECTION
	10 UNDER	± ---	DRAWN BY S. KAJINUMA	DATE '91/11/13	TITLE 0.5 FPC CONN ASSY ZIF SMT ST EMBSTP PKG		
	10 OVER 30 UNDER	± ---	CHECKED BY S. KUNISHI	DATE '00/12/20	MOLEX INCORPORATED		
	30 OVER	± ---	APPROVED BY M. FUKUSHIMA	DATE '00/12/20	DOCUMENT NO. SD-52559-051		
	ANGULAR	± --- °	MATERIAL NO. SEE CHART		SHEET NO. 2 OF 4		

DRAFT WHERE APPLICABLE MUST REMAIN WITHIN DIMENSIONS

SIZE A3

THIS DRAWING CONTAINS INFORMATION THAT IS PROPRIETARY TO MOLEX INCORPORATED AND SHOULD NOT BE USED WITHOUT WRITTEN PERMISSION

10 9 8 7 6 5 4 3 2 1

F

E

D

C

B

A

F

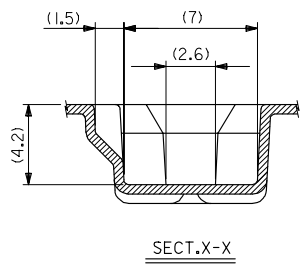
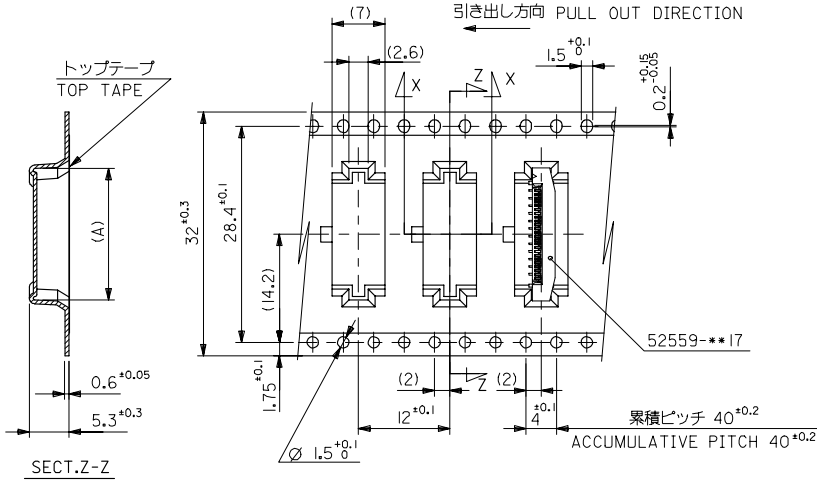
E

D

C

B

A



32mm幅キャリアテープ
32mm WIDTH CARRIER TAPE

32	37.4	33.4	18.9	21.8	52559-3390	33
			18.4	21.3	52559-3290	32
			17.4	20.3	52559-3090	30
			16.4	19.3	52559-2890	28
			15.4	18.3	52559-2690	26
			14.9	17.8	52559-2590	25
			14.4	17.3	52559-2490	24

REVISED IEC NO. J2006-3700 2006/06/16 DRAWN: H. NABEI 2006/06/19 CHKD: K. TOYODA 2006/06/22 APPR: N. KITA	DESCRIPTION	GENERAL TOLERANCES (UNLESS SPECIFIED)	DIMENSION STYLE	SCALE	DESIGN UNITS	0.5 FPC CONN ASSY ZIF SMT ST EMBSTP PKG MOLEX INCORPORATED MATERIAL NO. SD-52559-051 SHEET NO. 3 OF 4
		10 UNDER ± ---	MM ONLY	---	METRIC	
		10 OVER 30 UNDER ± ---				
		30 OVER ± ---				
		ANGULAR ± --- °				
		DRAFT WHERE APPLICABLE MUST REMAIN WITHIN DIMENSIONS	SEE CHART			

10 9 8 7 6 5 4 3 2 1

F

E

D

C

B

A

F

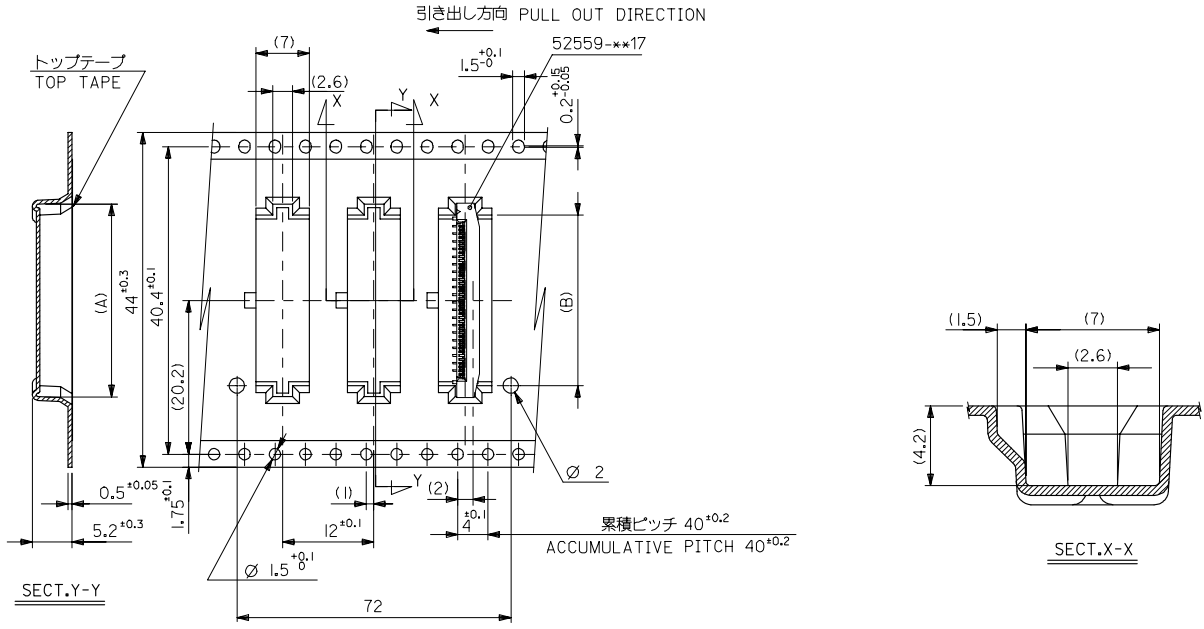
E

D

C

B

A



44mm幅キャリアテープ
44mm WIDTH CARRIER TAPE

44	49.4	45.4	22.4	25.3	52559-4090	40
キャリアテープ幅 CARRIER TAPE WIDTH	D	C	(B)	(A)	MATERIAL NO.	CIRCUIT NO.
					52559-3690	36

REVISED IEC NO: J2006-3700 2006/06/16 DRW:HNABEI 2006/06/19 CHK:KTOYODA 2006/06/19 APPR:NIKIITA 2006/06/17	GENERAL TOLERANCES (UNLESS SPECIFIED)		DIMENSION STYLE MM ONLY		SCALE ---	DESIGN UNITS METRIC	THIRD ANGLE PROJECTION
	10 UNDER	± ---	DRAWN BY S. KAJINUMA	DATE '91/11/13	TITLE 0.5 FPC CONN ASSY ZIF SMT ST EMBSTP PKG MOLEX INCORPORATED DOCUMENT NO. SD-52559-051 SHEET NO. 4 OF 4		
	10 OVER 30 UNDER	± ---	CHECKED BY S. KUNISHI	DATE '00/12/20			
	30 OVER	± ---	APPROVED BY M. FUKUSHIMA	DATE '00/12/20			
	ANGULAR	± --- °	MATERIAL NO.				
DRAFT WHERE APPLICABLE MUST REMAIN WITHIN DIMENSIONS		SEE CHART					