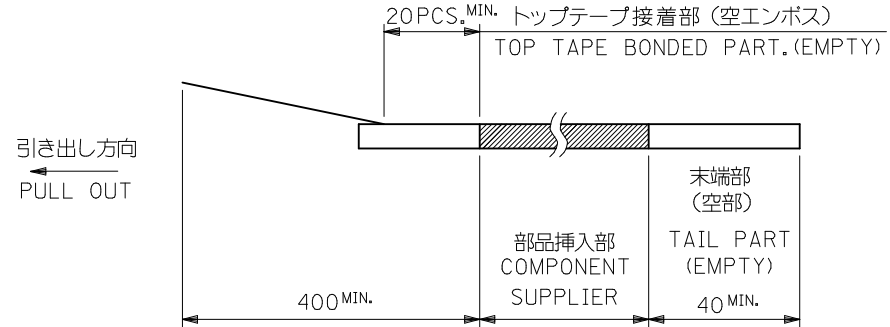
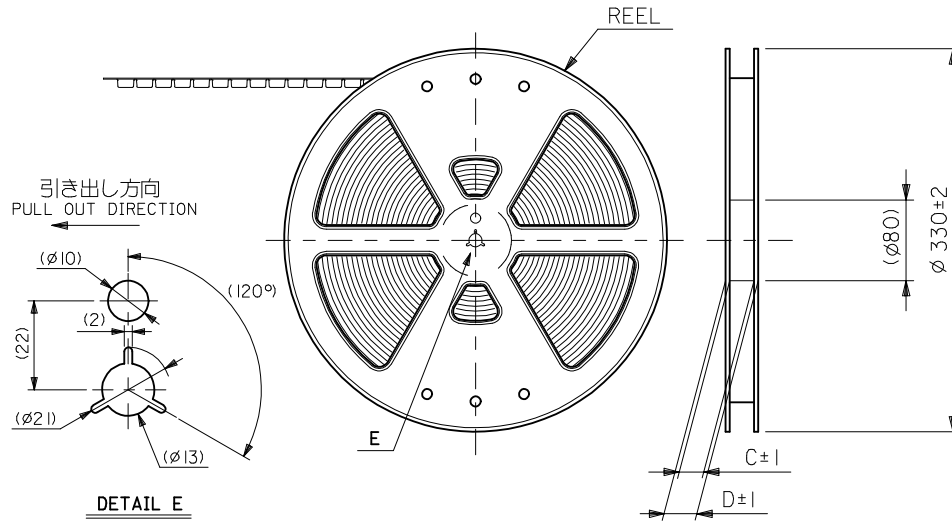


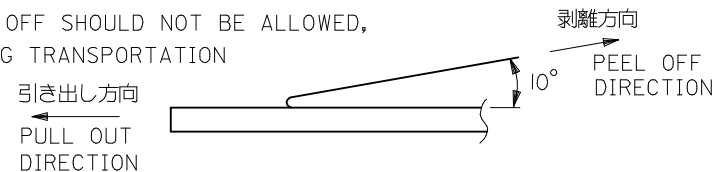
注記 NOTES

- 製品番号 52559-***19 の梱包状態はアクチュエータがロックした状態とする。
 詳細寸法については図面 SD-52559-027 を参照下さい。
 IN THE PACKAGE,ACTUATOR OF PART NO.52559-***19 SHOULD BE LOCKED
 RE DETAILED DIMENSIONS,SEE SD-52559-027
- 梱包数量：1000個/リール
 NUMBER OF CONNECTORS:1000PCS/REEL
- リードテープ長さ LEAD TAPE LENGTH



- トップテープの剥離強度：(剥離方向は下図参照)
 0.1~1.3N {10gf~130gf} 尚、本規格値は、出荷時に適用。
 (但し、輸送時に剥離が発生しない事。)

PEELING OFF FORCE OF TOP TAPE
 0.1~1.3N{10gf~130gf}(PEELING DIRECTION AS SHOWN IN FOLLOWING FIG.)
 THIS REQUIREMENT SHOULD BE APPLIED AT SHIPMENT
 PEEL OFF SHOULD NOT BE ALLOWED,
 DURING TRANSPORTATION



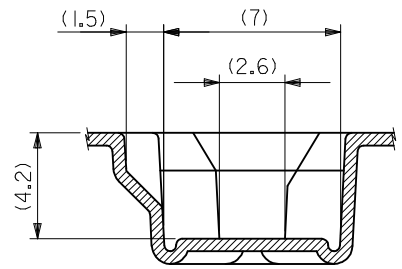
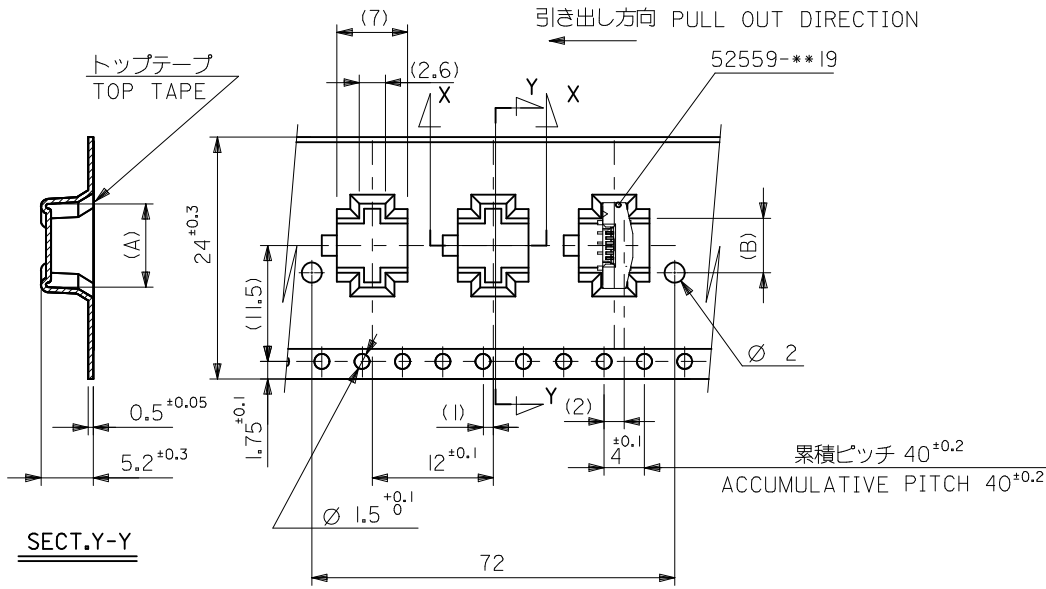
- 材料
 キャリアテープ:ポリプロピレン (PP)
 トップテープ:PET, PE, PEF
 リール:ポリスチレン (PS) <リサイクル材を含む>

MATERIAL CARRIER TAPE:POLYPROPYLENE
 TOP TAPE:PET,PE,PEF
 REEL:POLYSTYREN(PS)
 <RECYCLE MATERIAL CONTAINED>

- 本製品は 52559-***92の鉛フリー品である。
 THIS PRODUCT IS LEAD FREE OF 52559-***92
- 本製品は乾燥剤入り、ハイバリア梱包仕様である。
 THIS PRODUCT IS HIGH BARRIER PACKAGE WITH DESICCANT.

52559-***72
 MODEL NO.

REVISED EC NO.: J2009-2061 DRWN:TKON 2009/05/20 CHKD:HATSUMOTO 2009/05/21 APPR:NIKIITA 2009/05/21	GENERAL TOLERANCES (UNLESS SPECIFIED)		DIMENSION STYLE MM ONLY	SCALE ---	DESIGN UNITS METRIC	THIRD ANGLE PROJECTION
	10 UNDER	±0.2	DRAWN BY DATE H. SHIMABUKUR 2004/01/07	TITLE 0.5 FPC CONN ASSY ZIF SMT ST EMBSTP PKG -LEAD FREE-		
	10 OVER 30 UNDER	±0.25	CHECKED BY DATE K. TOJO 2004/01/07	MOLEX INCORPORATED		
	30 OVER	±0.3	APPROVED BY DATE M. SASAO 2004/01/07	DOCUMENT NO. SD-52559-028		
REV	DESCRIPTION	ANGULAR ±3 °	MATERIAL NO. SEE SHEET 2-4	SHEET NO. 1 OF 4		
DRAFT WHERE APPLICABLE MUST REMAIN WITHIN DIMENSIONS		THIS DRAWING CONTAINS INFORMATION THAT IS PROPRIETARY TO MOLEX INCORPORATED AND SHOULD NOT BE USED WITHOUT WRITTEN PERMISSION				



SECT.Y-Y

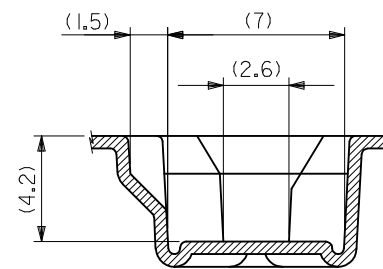
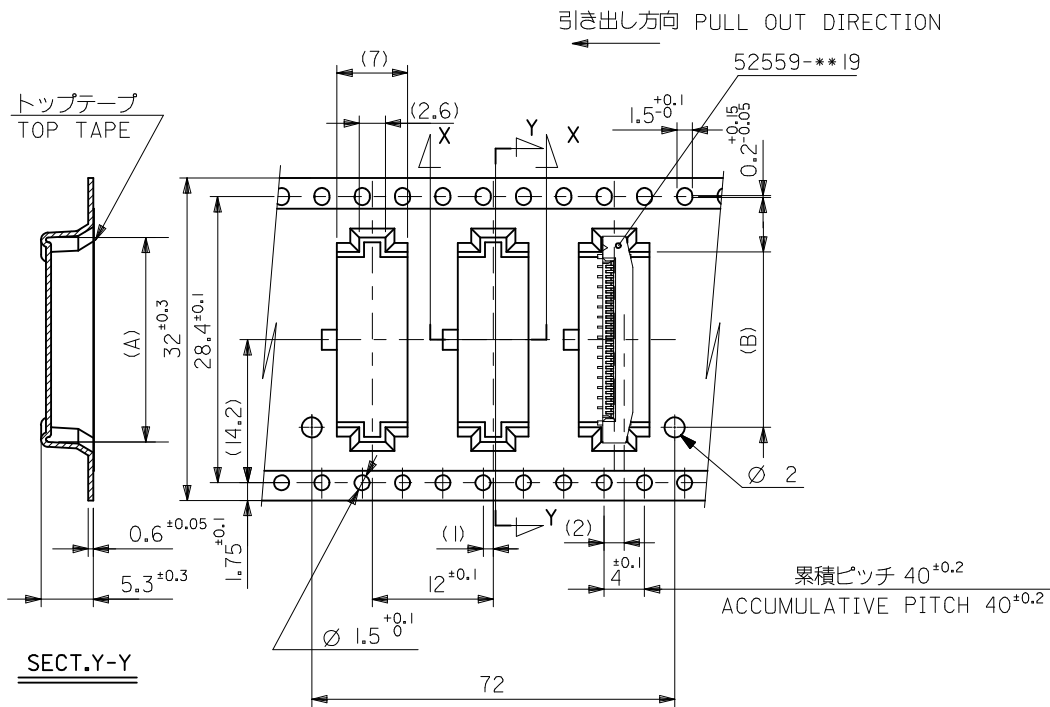
24mm幅キャリアテープ
24mm WIDTH CARRIER TAPE

24	29.4	25.4	14.4	17.3	52559-2472	24
			13.9	16.8	52559-2372	23
			12.9	15.8	52559-2172	21
			12.4	15.3	52559-2072	20
			10.9	13.8	52559-1772	17
			10.4	13.3	52559-1672	16
			9.9	12.8	52559-1572	15
			9.4	12.3	52559-1472	14
			8.4	11.3	52559-1272	12
			7.4	10.3	52559-1072	10
6.9	9.8	52559-0972	9			
5.4	8.3	52559-0672	6			

52559-***72
MODEL NO.

キャリアテープ幅
CARRIER TAPE WIDTH

REVISED EC NO.: J2009-2061 DRWN:TKON 2009/05/20 CHKD:HMATSUMOTO 2009/05/21 APPR:NIKI ITA 2009/05/21	GENERAL TOLERANCES (UNLESS SPECIFIED)		DIMENSION STYLE	SCALE	DESIGN UNITS	THIRD ANGLE PROJECTION
			MM ONLY	---	METRIC	☉
	10 UNDER	±0.2	DRAWN BY	DATE	TITLE	
	10 OVER 30 UNDER	±0.25	H. SHIMABUKUR	2004/01/07	0.5 FPC CONN ASSY ZIF SMT ST EMBSTP PKG -LEAD FREE-	
	30 OVER	±0.3	CHECKED BY	DATE	MOLEX INCORPORATED	
ANGULAR	±3 °	K. TOJO	2004/01/07	MOLEX INCORPORATED		
DRAFT WHERE APPLICABLE MUST REMAIN WITHIN DIMENSIONS		APPROVED BY	DATE	DOCUMENT NO.		SHEET NO.
		M. SASAO	2004/01/07	SD-52559-028		2 OF 4
		MATERIAL NO.	SEE TABLE			
		SIZE	THIS DRAWING CONTAINS INFORMATION THAT IS PROPRIETARY TO MOLEX INCORPORATED AND SHOULD NOT BE USED WITHOUT WRITTEN PERMISSION			
		A3				



SECT.X-X

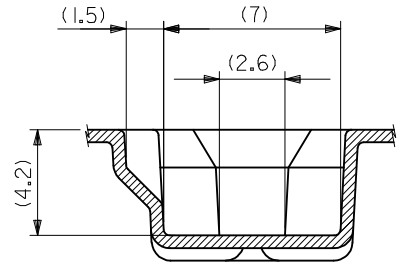
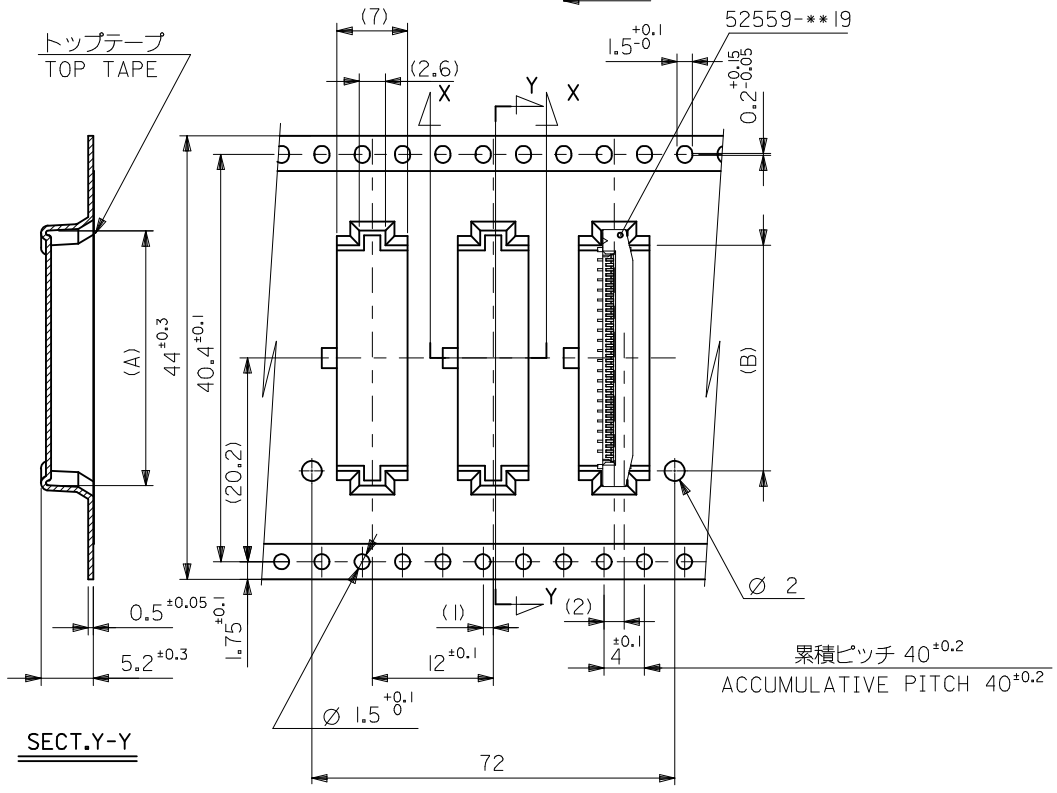
SECT.Y-Y

32mm幅キャリアテープ
32mm WIDTH CARRIER TAPE

32	37.4	33.4	18.4	21.3	52559-3272	32
			17.4	20.3	52559-3072	30
			16.4	19.3	52559-2872	28
			15.9	18.8	52559-2772	27
			15.4	18.3	52559-2672	26
キャリアテープ幅 CARRIER TAPE WIDTH	D	C	(B)	(A)	MATERIAL NO.	CIRCUIT NO.

REVISED EC NO.: J2009-2061 DRWN:TKON 2009/05/20 CHKD:HMATSUMOTO 2009/05/21 APPR:NUKITA 2009/05/21	DESCRIPTION	GENERAL TOLERANCES (UNLESS SPECIFIED)		DIMENSION STYLE	SCALE	DESIGN UNITS	THIRD ANGLE PROJECTION	
		10 UNDER	±0.2	MM ONLY	---	METRIC	☉	
		10 OVER 30 UNDER	±0.25	DRAWN BY DATE	TITLE			
		30 OVER	±0.3	CHECKED BY DATE	0.5 FPC CONN ASSY ZIF SMT ST EMBSTP PKG -LEAD FREE-			
REV B	REV	ANGULAR	±3 °	APPROVED BY DATE	MOLEX INCORPORATED			
		DRAFT WHERE APPLICABLE MUST REMAIN WITHIN DIMENSIONS		MATERIAL NO.	DOCUMENT NO.	SHEET NO.		
		SIZE	A3	THIS DRAWING CONTAINS INFORMATION THAT IS PROPRIETARY TO MOLEX INCORPORATED AND SHOULD NOT BE USED WITHOUT WRITTEN PERMISSION			SD-52559-028 3 OF 4	

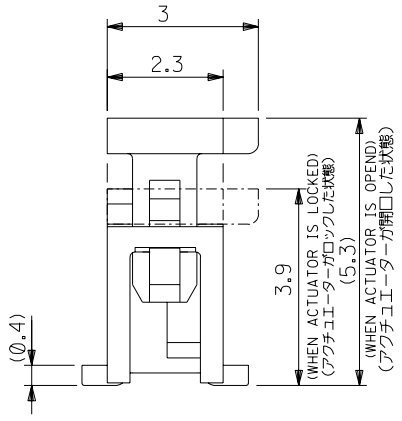
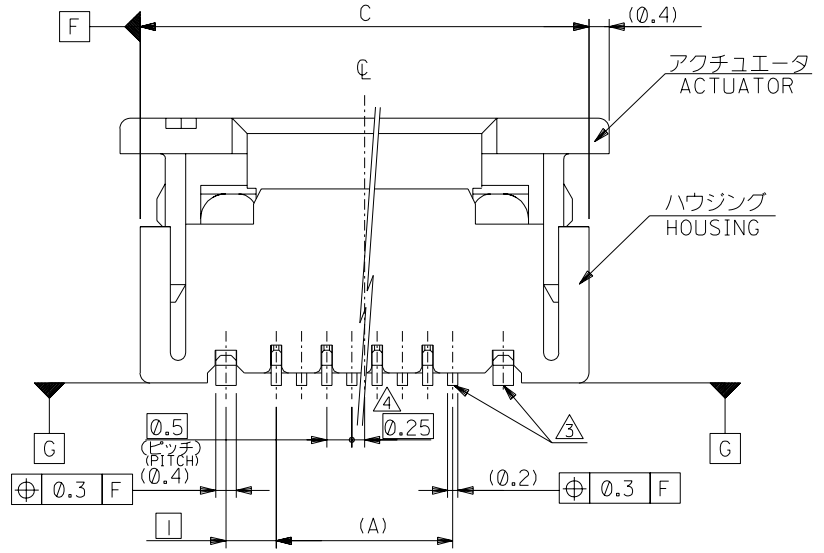
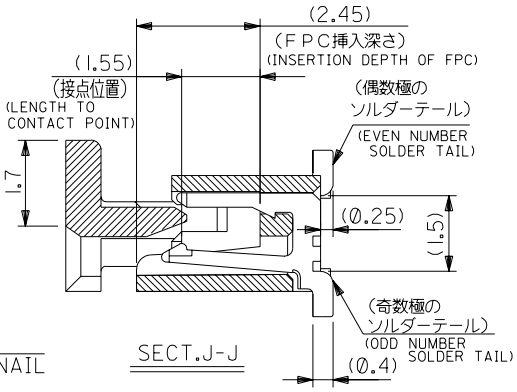
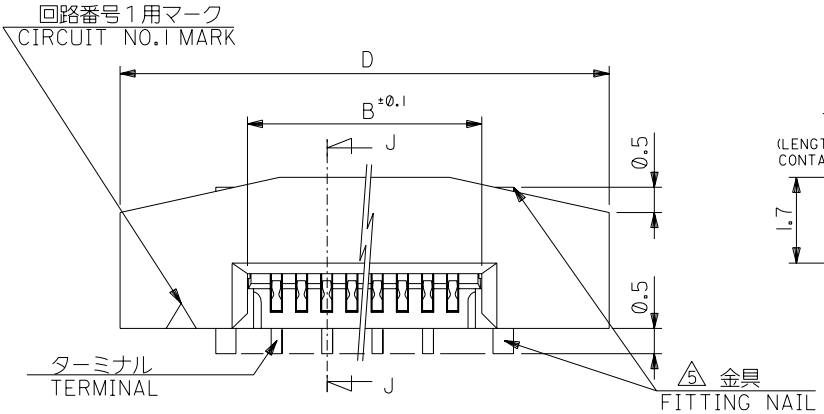
引き出し方向 PULL OUT DIRECTION



SECT.X-X

44mm幅キャリアテープ
44mm WIDTH CARRIER TAPE

REVISED EC NO.: J2009-2061 DRWN:TKON 2009/05/20 CHKD:HMATSUMOTO 2009/05/21 APPR:NUKITA 2009/05/21	GENERAL TOLERANCES (UNLESS SPECIFIED)		DIMENSION STYLE MM ONLY		SCALE ---	DESIGN UNITS METRIC		THIRD ANGLE PROJECTION	
	10 UNDER	±0.2	DRAWN BY DATE H. SHIMABUKUR 2004/01/07		TITLE 0.5 FPC CONN ASSY ZIF SMT ST EMBSTP PKG -LEAD FREE-				
	10 OVER 30 UNDER	±0.25	CHECKED BY DATE K. TOJO 2004/01/07		MOLEX INCORPORATED				
	30 OVER	±0.3	APPROVED BY DATE M. SASAO 2004/01/07						
ANGULAR	±3 °	MATERIAL NO. SEE TABLE		DOCUMENT NO. SD-52559-028		SHEET NO. 4 OF 4			
DRAFT WHERE APPLICABLE MUST REMAIN WITHIN DIMENSIONS		THIS DRAWING CONTAINS INFORMATION THAT IS PROPRIETARY TO MOLEX INCORPORATED AND SHOULD NOT BE USED WITHOUT WRITTEN PERMISSION							



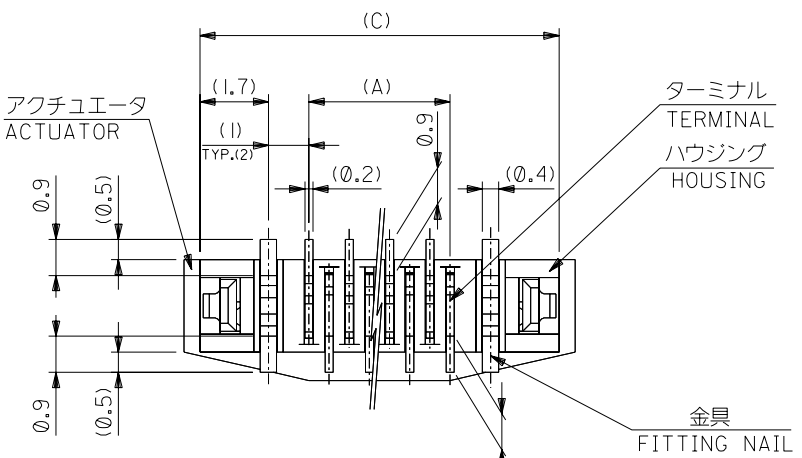
注記 NOTES

- 使用材料 : MATERIAL
 ハウジング :46NYLON UL94V-0
 HOUSING
 アクチュエータ :PPS UL94V-0
 ACTUATOR
 ターミナル :リン青銅 (t=0.2)
 TERMINAL PHOS-BRO
 :錫ビスマスメッキ 1.0マイクロメートル以上
 TIN-BISMUTH 1.0 MICROMETER MINIMUM
 :ニッケル下地 1.0マイクロメートル以上
 NICKEL(UNDER PLATING) 1.0 MICROMETER MINIMUM
 金具 :リン青銅 (t=0.4)
 FITTING NAIL PHOS-BRO
 :錫メッキ 1.0マイクロメートル以上
 TIN 1.0 MICROMETER MINIMUM
 :ニッケル下地 1.0マイクロメートル以上
 NICKEL(UNDER PLATING) 1.0 MICROMETER MINIMUM
- エンボスステップ梱包時は、アクチュエータがロックした状態とする。
 IN THE PACKAGE,ACTUATOR OF PART NO.52559-019 SHOULD BE LOCKED.
 △ソルダータール半田付け面のズレ量、及び金具半田付け面のズレ量は、基準面 G に対し上方向 0.05 MAX. , 下方向 0.15 MAX. とする。
 MISALIGNMENT OF SOLDER TAILS AND FITTING NAILS FROM UPPER DIRECTION: 0.05 MAX. , LOWER DIRECTION: 0.15 MAX.
 △偶数種に適用。
 APPLY FOR EVEN CIRCUIT.
 △パターンはくり止め用金具。
 FITTING NAIL FOR PREVENTION OF PEELING OF P.C.B. PATTERN.
 △R0.3は、FPCの導体部にかからないこと。
 R0.3 MUST NOT BE OVERLAPPED TO PATTERN OF FPC.
- 本製品は 52559-019 の鉛フリー品である。
 THIS PRODUCT IS LEAD FREE OF 52559-019

DO NOT SCALE DRAWING

64NO. DRWN: CH'K: APPR: 63NO. DRWN: CH'K: APPR: 62NO. DRWN: CH'K: APPR:	REVISED 61NO. J2004-3551 DRWN: H. KAWABATA 04/04/05 CH'K: K. TOJO 04/04/05 APPR: H. Sato 04/04/05 RELEASED 60NO. J2004-1818 DRWN: H. SHIMABUKURO 04/01/07 CH'K: K. TOJO 04/01/07 APPR: H. Sato 04/01/07	MATERIAL 材料 注記参照 SEE NOTES	GENERAL TOLERANCES: (UNLESS SPECIFIED) 一般公差 10 UNDER 未満 ±0.2 10 OVER 以上 30 UNDER 未満 ±0.25 30 OVER 以上 ±0.3 ANGLE 角度 ±3°	SCALE 1:1 DESIGN UNITS mm INCH 2RD ANGLE PROJECTION	DRAWN BY & DATE H. SHIMABUKURO '04/01/07 CHECKED BY & DATE K. TOJO '04/01/07 APPROVED BY & DATE H. Sato '04/01/07	TITLE: 0.5 FPC Conn. Assy ZIF. -LEAD FREE-	MODEL NO. 52559-019	DIMENSIONS: <input type="checkbox"/> mm <input type="checkbox"/> INCH <input checked="" type="checkbox"/> mm ONLY	SHT 1 OF 2	REV B
							WIRE RANGE 適用層線範囲	CAD FILENAME SD-52559-045.S01	MATERIAL NO. SEE CHART	DRAWING NO. SD-52559-045
7888 DRAWING CONTAINS INFORMATION THAT IS PROPRIETARY TO MOLEX INCORPORATED AND SHOULD NOT BE USED WITHOUT WRITTEN PERMISSION.						MOLEX MOLEX INCORPORATED		EN-02J(097) MXJ-54		

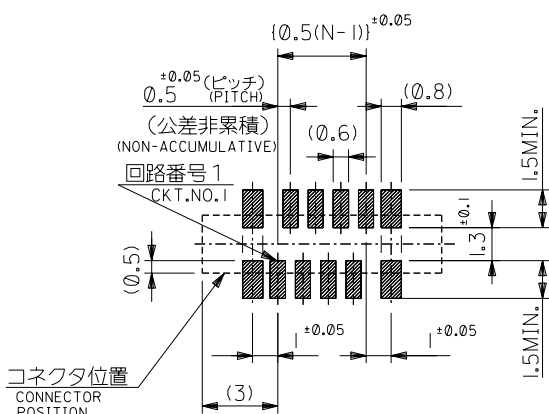
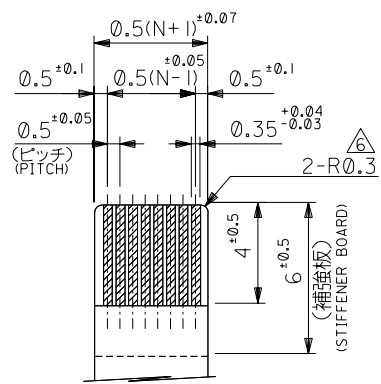
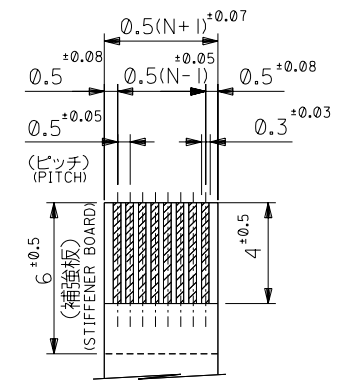
DWG. NO. SD-52559-045



FPCについて：
 打抜き方向は導体側から補強板側を推奨致します。
 補強フィルム材質はポリイミドを推奨致します。
 接着剤は熱硬化接着剤を推奨致します。

ABOUT FPC :
 RECOMMENDED PUNCHER DIRECTION : FROM CONDUCTOR SIDE TO STIFFENER BOARD SIDE.
 RECOMMENDED MATERIAL :
 STIFFENER FILM : POLYIMIDE
 BONDING AGENT : THERMOSETTING BONDING AGENT

下面図
 BOTTOM VIEW



適合FPC推奨寸法
 APPLICABLE FPC
 RECOMMENDED DIMENSION.
 (仕上がり厚さ: 0.3±0.05)
 (THICKNESS: 0.3±0.05)

適合FPC推奨寸法
 APPLICABLE FPC
 RECOMMENDED DIMENSION.
 (仕上がり厚さ: 0.3±0.05)
 (THICKNESS: 0.3±0.05)

コネクタ位置
 CONNECTOR POSITION
 参考基板レイアウト
 (マウント面)
 RECOMMENDED P.C. BOARD
 PATTERN DIMENSION (REF.)
 (MOUNTING SIDE)

25.7	24.9	20.65	19.5	52559-4019	40
23.7	22.9	18.65	17.5	-3619	36
22.2	21.4	17.15	16.0	-3319	33
21.7	20.9	16.65	15.5	-3219	32
21.2	20.4	16.15	15.0	-3119	31
20.7	19.9	15.65	14.5	-3019	30
20.2	19.4	15.15	14.0	-2919	29
19.7	18.9	14.65	13.5	-2819	28
19.2	18.4	14.15	13.0	-2719	27
18.7	17.9	13.65	12.5	-2619	26
18.2	17.4	13.15	12.0	-2519	25
17.7	16.9	12.65	11.5	-2419	24
17.2	16.4	12.15	11.0	-2319	23
16.7	15.9	11.65	10.5	-2219	22
16.2	15.4	11.15	10.0	-2119	21
15.7	14.9	10.65	9.5	-2019	20
15.2	14.4	10.15	9.0	-1919	19
14.7	13.9	9.65	8.5	-1819	18
14.2	13.4	9.15	8.0	-1719	17
13.7	12.9	8.65	7.5	-1619	16
13.2	12.4	8.15	7.0	-1519	15
12.7	11.9	7.65	6.5	-1419	14
12.2	11.4	7.15	6.0	-1319	13
11.7	10.9	6.65	5.5	-1219	12
11.2	10.4	6.15	5.0	-1119	11
10.7	9.9	5.65	4.5	-1019	10
10.2	9.4	5.15	4.0	-0919	9
9.7	8.9	4.65	3.5	-0819	8
8.7	7.9	3.65	2.5	52559-0619	6
D	C	B	(A)	MATERIAL NO.	極数

DO NOT SCALE DRAWING

図番 NO. DRWNS: CH'K: APPR:	図番 NO. DRWNS: CH'K: APPR:	図番 NO. DRWNS: CH'K: APPR:	REVISED 図番 NO. J2004-3551 DRWNS: H.KAWABATA '04/04/05 CH'K: K.TOJO '04/04/05 APPR: H. Saito '04/04/05	RELEASED 図番 NO. J2004-1818 DRWNS: H.SHIMABUKURO '04/01/07 CH'K: K.TOJO '04/01/07 APPR: H. Saito '04/01/07	MATERIAL 材料 注記参照 SEE NOTES	GENERAL TOLERANCES: (UNLESS SPECIFIED) 一般公差 10 UNDER 未満 ±0.2 10 OVER 以上 30 UNDER 未満 ±0.25 30 OVER 以上 ±0.3	SCALE DESIGN UNITS <input checked="" type="checkbox"/> mm <input type="checkbox"/> INCH PROJECTION <input checked="" type="checkbox"/> FIRST ANGLE DRAWN BY & DATE H.SHIMABUKURO '04/01/07 CHECKED BY & DATE K.TOJO '04/01/07 APPROVED BY & DATE H. Saito '04/01/07	MODEL NO. 52559-***19 DIMENSIONS: <input type="checkbox"/> mm <input type="checkbox"/> INCH <input checked="" type="checkbox"/> mm ONLY SHT REV REVISION ON CAD ONLY
			WIRE RANGE 適用 層数 範囲 10 OVER 以上 30 UNDER 未満 ±0.25 30 OVER 以上 ±0.3	CAD FILENAME SD-52559-045.S02	TITLE: 0.5 FPC Conn. Assy ZIF. -LEAD FREE- MOLEX MOLEX INCORPORATED	MATERIAL NO. SEE CHART DRAWING NO. SD-52559-045 SHEET NO. 2 OF 2		

SD-52559-045.S02

Mouser Electronics

Authorized Distributor

Click to View Pricing, Inventory, Delivery & Lifecycle Information:

[Molex:](#)

[52559-3072](#)