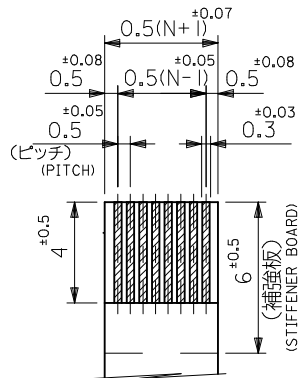


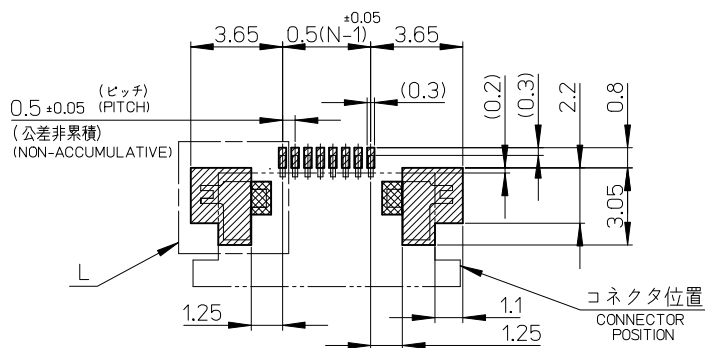
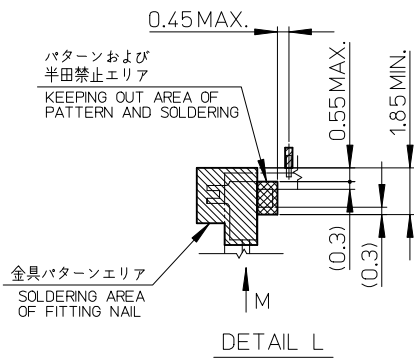
適合FPC推奨寸法
APPLICABLE FPC
RECOMMENDED DIMENSION.
(仕上がり厚さ: 0.3^{+0.05})
(THICKNESS: 0.3^{+0.05})



適合FFC推奨寸法
APPLICABLE FFC
RECOMMENDED DIMENSION.
(仕上がり厚さ: 0.3^{+0.05})
(THICKNESS: 0.3^{+0.05})

注記 NOTES

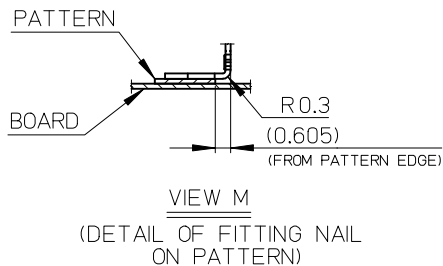
1. 使用材料 MATERIAL
ハウジング : 46ナイロン, UL94V-0
HOUSING : 46NYLON
アクチュエータ : PPS, UL94V-0
ACTUATOR
- ターミナル : リン青銅(+0.2) ニッケル下地・錫ビスマスマッキ
TERMINAL PHOS-BRO, TIN-BITHMUS OVER NICKEL PLATED
- 金具 : リン青銅(+0.2) ニッケル下地、錫メッキ
FITTING NAIL PHOS-BRO, TIN OVER NICKEL PLATED
2. エンボステープ梱包時は、アクチュエータがロックした状態とする。
IN THE PACKAGE, ACTUATOR OF PART NO.52746-**-19 SHOULD BE LOCKED.
- △シルダーテール半田付け面のズレ量、及び金具半田付け面のズレ量は、基準面 H に対し上方向 0.1MAX. 下方向 0.15MAX. とする。
MISALIGNMENT OF SOLDER TAILS AND FITTING NAILS FROM H
UPPER DIRECTION: 0.1 MAX. , LOWER DIRECTION: 0.15MAX.
- △偶数極に適用。
APPLY FOR EVEN CIRCUIT.
- △パターンはくり止め用金具
FITTING NAIL FOR PREVENTION OF PEELING OF P.C.B. PATTERN.
- 6 本製品は 52746-**-17 の鉛フリー品です。
THIS PRODUCT IS LEAD FREE OF 52746-**-17
- △R0.3は、FPCの導体部にかからないこと。
R0.3 MUST NOT BE OVERLAPPED TO PATTERN OF FPC.



参考基板レイアウト
(マウント面)
RECOMMENDED P.C.BOARD
PATTERN DIMENSION (REF.)
(MOUNTING SIDE)

FPCについて:
打抜き方向は導体側から補強板を推奨致します。
補強フィルム材質はポリイミドを推奨致します。
接着剤は熱硬化接着剤を推奨致します。

ABOUT FPC:
RECOMMENDED PUNCHER DIRECTION : FROM CONDUCTOR SIDE TO STIFFENER BOARD SIDE.
RECOMMENDED MATERIAL :
STIFFENER FILM : POLYIMIDE
BONDING AGENT : THERMOSETTING BONDING AGENT



| | |
|--------------|------------------------|
| 52746-**-19 | MODEL NO. |
| DESIGN UNITS | THIRD ANGLE PROJECTION |
| METRIC | |

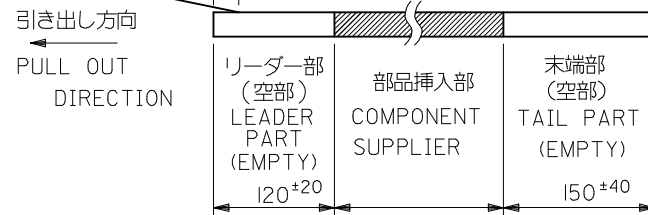
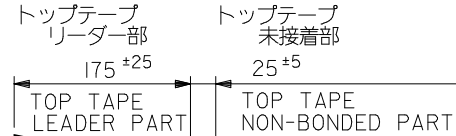
| | | | | | | | |
|---|---------------------------------------|---|----------------------------|--------------------------------|------------------------------|-----------------------|--|
| REVISED EC NO: J2013-1579 DRWN: NINOUE01 2013/06/24 CHKD: H IJIMA 2013/06/24 APPR: YNOGAWA 2013/07/02 | GENERAL TOLERANCES (UNLESS SPECIFIED) | | DIMENSION STYLE MM ONLY | | SCALE --- | 52746-**-19 MODEL NO. | |
| | 10 UNDER | ±0.2 | DRAWN BY T. UENO | DATE '03/12/12 | TITLE | 0.5 FPC CONN. ZIF SMT | |
| | 10 OVER 30 UNDER | ±0.25 | CHECKED BY M. SASAO | DATE '03/12/12 | | R/A | |
| | 30 OVER | ±0.3 | APPROVED BY M. SASAO | DATE '03/12/12 | | -LEAD FREE- | |
| | ANGULAR ±3 ° | DRAFT WHERE APPLICABLE MUST REMAIN WITHIN DIMENSIONS | | MATERIAL NO. SEE CHART 10F2 | DOCUMENT NO. SD-52746-028 | SHEET NO. 2 OF 2 | |
| | | THIS DRAWING CONTAINS INFORMATION THAT IS PROPRIETARY TO MOLEX INCORPORATED AND SHOULD NOT BE USED WITHOUT WRITTEN PERMISSION | | | | | |

注記 NOTES

1. 製品番号 52746-**-19 の梱包状態はアクチュエータがロックした状態とする。
 詳細寸法については図面 SD-52746-028 を参照下さい。
 IN THE PACKAGE,ACTUATOR OF PART NO.52746-**-19 SHOULD BE LOCKED
 RE DETAILED DIMENSIONS,SEE SD-52746-028.

2. 梱包数量：1000個/リール
 NUMBER OF CONNECTORS:1000PCS/REEL

3. リードテープ長さ LEAD TAPE LENGTH

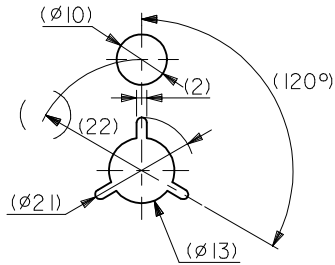
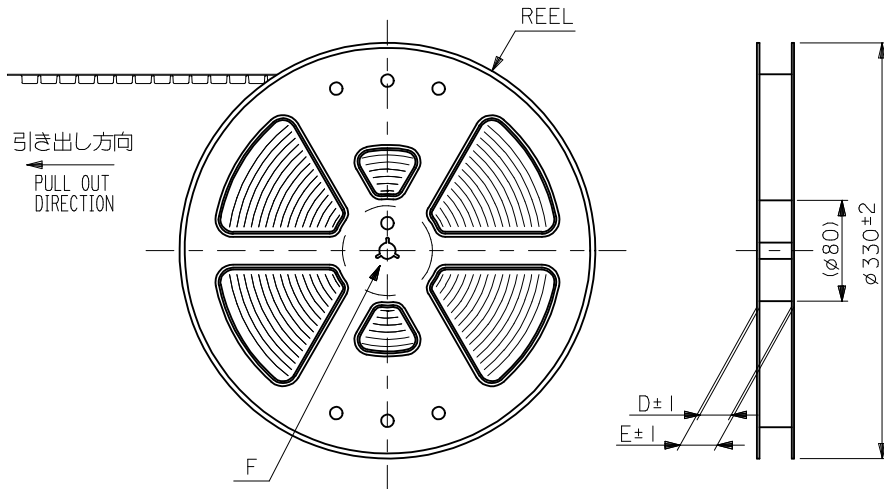


4. 材料 キャリアテープ：ポリプロピレン (PP)
 トップテープ：PET, PE, PEF
 リール：ポリスチレン (PS) <リサイクル材を含む>

MATERIAL CARRIER TAPE:POLYPROPYLENE
 TOP TAPE:PET,PE,PEF
 REEL:POLYSTYREN(PS)
 <RECYCLE MATERIAL CONTAINED>

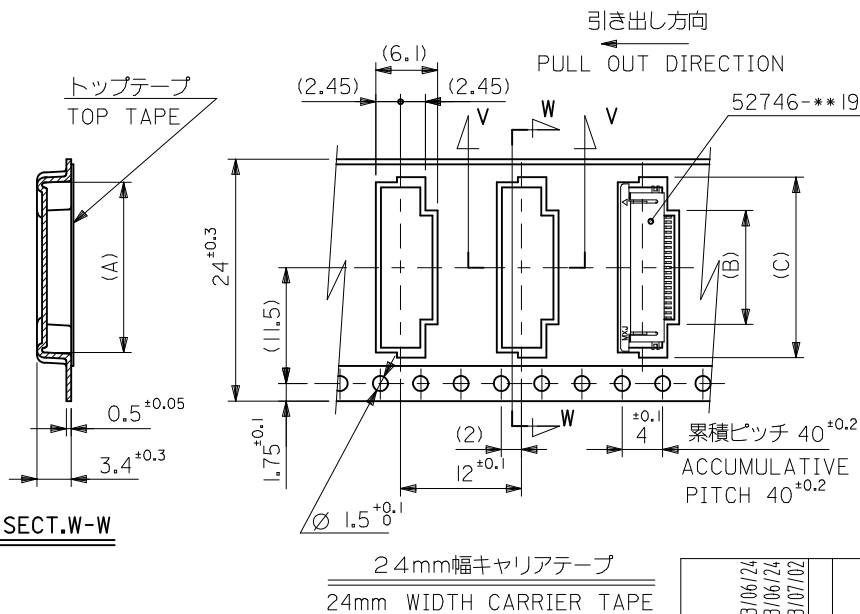
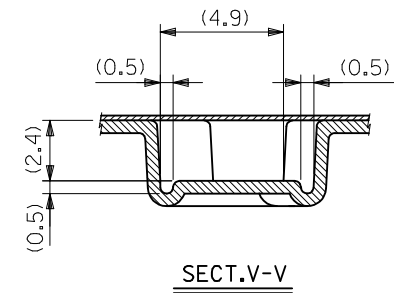
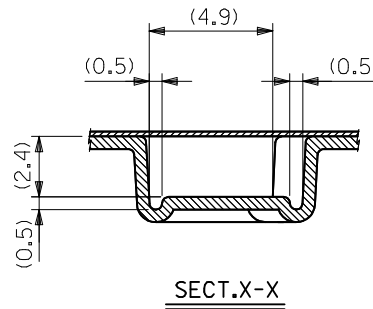
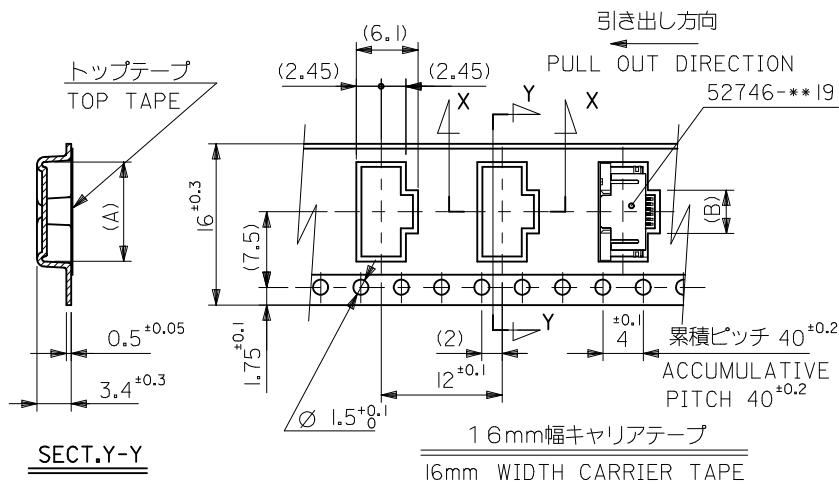
5. 本製品は 52746-**-90 の鉛フリー品です
 THIS PRODUCT IS LEAD FREE OF 52746-**-90

6. 本製品は乾燥剤入り、ハイバリア梱包仕様である。
 THIS PRODUCT IS HIGH BARRIER PACKAGE WITH DESICCANT.



DETAIL F

| | | | | | | | | | |
|--|--|------------------|---------|--|-------------------|---|------------------------------|---------------------------|---------------------|
| REVISED EC NO: J2013-1579 2013/06/24 DRWN:INOUE01 2013/06/24 CHKD:H.IJIMA 2013/07/02 APPR:YNOGAWA | DESCRIPTION GENERAL TOLERANCES (UNLESS SPECIFIED) | 10 UNDER | ± --- | DRAWN BY T.UENO | DATE '03/12/12 | TITLE 0.5 FPC CONN ZIF SMT RA -LEAD FREE- molex | 52746-**-70 | MODEL NO. | |
| | | 10 OVER 30 UNDER | ± --- | CHECKED BY M.SASAO | DATE '03/12/12 | | DESIGN UNITS METRIC | THIRD ANGLE PROJECTION | |
| | | 30 OVER | ± --- | APPROVED BY M.SASAO | DATE '03/12/12 | | DOCUMENT NO. SD-52746-029 | | SHEET NO. 1 OF 2 |
| | | ANGULAR | ± --- ° | MATERIAL NO. SEE CHART 20F2 | | | | | |
| | DRAFT WHERE APPLICABLE MUST REMAIN WITHIN DIMENSIONS | SIZE A3 | | THIS DRAWING CONTAINS INFORMATION THAT IS PROPRIETARY TO MOLEX INCORPORATED AND SHOULD NOT BE USED WITHOUT WRITTEN PERMISSION | | | | | |



| | | | | | | | |
|--------------------------------|------|------|-------|------|------------|--------------|----------------|
| 24 | 29.4 | 25.4 | 17.4 | 10.8 | 16.4 | 52746-2070 | 20 |
| | | | 16.9 | 10.3 | 15.9 | -1970 | 19 |
| | | | 16.4 | 9.8 | 15.4 | -1870 | 18 |
| | | | 15.9 | 9.3 | 14.9 | -1770 | 17 |
| | | | 15.4 | 8.8 | 14.4 | -1670 | 16 |
| | | | 14.9 | 8.3 | 13.9 | -1570 | 15 |
| | | | 14.4 | 7.8 | 13.4 | -1470 | 14 |
| | | | 13.9 | 7.3 | 12.9 | -1370 | 13 |
| | | | 13.4 | 6.8 | 12.4 | -1270 | 12 |
| | | | 12.9 | 6.3 | 11.9 | -1170 | 11 |
| | | | 12.4 | 5.8 | 11.4 | -1070 | 10 |
| | | | 11.9 | 5.3 | 10.9 | -0970 | 9 |
| 11.4 | 4.8 | 10.4 | -0870 | 8 | | | |
| 10.9 | 4.3 | 9.9 | -0770 | 7 | | | |
| 10.4 | 3.8 | 9.4 | -0670 | 6 | | | |
| 16 | 21.4 | 17.4 | 2.8 | 8.4 | 52746-0470 | 4 | |
| キャリアテープ幅 CARRIER TAPE WIDTH | E | D | (C) | (B) | (A) | MATERIAL NO. | 極数 CIRCUITS |

| | | | | | | | |
|---|---------------------------------------|---|----------------------------|------------------------------|----------------------------------|------------------------|--------------------------|
| REVISED EC NO.: J2013-1579 DRWN: NINOUE01 2013/06/24 CHKD: H I JIMA 2013/06/24 APPR: YNOGAWA 2013/07/02 | GENERAL TOLERANCES (UNLESS SPECIFIED) | | DIMENSION STYLE MM ONLY | | SCALE --- | DESIGN UNITS METRIC | MODEL NO. 52746-***70 |
| | 10 UNDER | ± --- | DRAWN BY T. UENO | DATE '03/12/12 | TITLE 0.5 FPC CONN ZIF SMT RA | | |
| | 10 OVER 30 UNDER | ± --- | CHECKED BY M. SASAO | DATE '03/12/12 | -LEAD FREE- | | |
| | 30 OVER | ± --- | APPROVED BY M. SASAO | DATE '03/12/12 | | | |
| ANGULAR ± --- ° | | MATERIAL NO. SEE CHART | | DOCUMENT NO. SD-52746-029 | SHEET NO. 2 OF 2 | | |
| DRAFT WHERE APPLICABLE MUST REMAIN WITHIN DIMENSIONS | | THIS DRAWING CONTAINS INFORMATION THAT IS PROPRIETARY TO MOLEX INCORPORATED AND SHOULD NOT BE USED WITHOUT WRITTEN PERMISSION | | | | | |