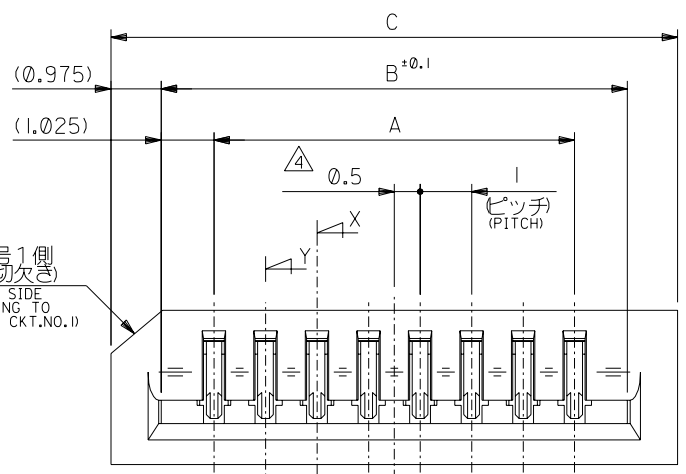
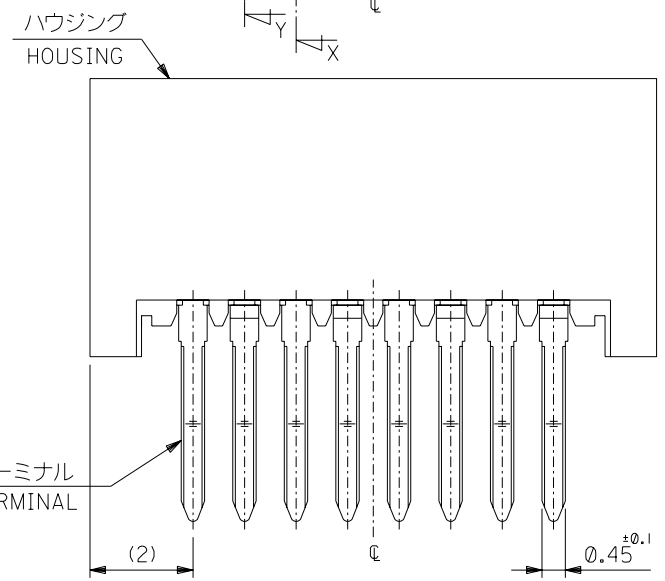


DWG. NO.  
SD-52806-\*\*-10

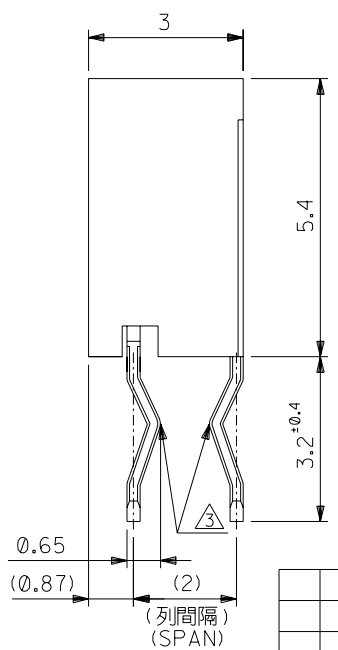
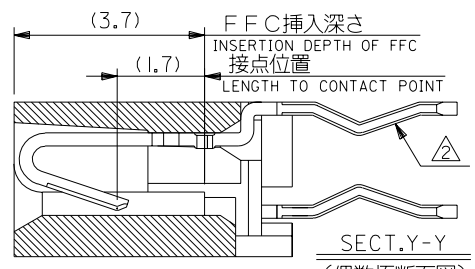
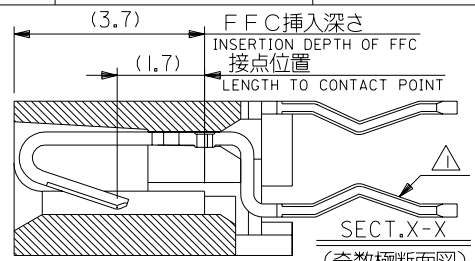


回路番号1側  
(表示用切欠き)  
CKT.NO.1 SIDE  
(CHAMFERING TO  
INDICATE CKT.NO.1)



注記 NOTES

- ① 回路番号1を基準に奇数番目の極におけるソルダーテール。  
ODD NUMBER SOLDER TAIL FROM THE CKT.NO.1.
- ② 回路番号1を基準に偶数番目の極におけるソルダーテール。  
EVEN NUMBER SOLDER TAIL FROM THE CKT.NO.1.
- ③ キングはソルダーテール全極にもうける。  
SOLDER TAIL KINK SHALL BE PROVIDED ON ALL TAILS.
- ④ 偶数極に適用。  
APPLY FOR EVEN CKT.



無鉛  
LEAD FREE

|    |       |    |            |               |
|----|-------|----|------------|---------------|
| 33 | 31.05 | 29 | 52806-3010 | 30            |
| 32 | 30.05 | 28 | -2910      | 29            |
| 31 | 29.05 | 27 | -2810      | 28            |
| 30 | 28.05 | 26 | -2710      | 27            |
| 29 | 27.05 | 25 | -2610      | 26            |
| 28 | 26.05 | 24 | -2510      | 25            |
| 27 | 25.05 | 23 | -2410      | 24            |
| 26 | 24.05 | 22 | -2310      | 23            |
| 25 | 23.05 | 21 | -2210      | 22            |
| 24 | 22.05 | 20 | -2110      | 21            |
| 23 | 21.05 | 19 | -2010      | 20            |
| 22 | 20.05 | 18 | -1910      | 19            |
| 21 | 19.05 | 17 | -1810      | 18            |
| 20 | 18.05 | 16 | -1710      | 17            |
| 19 | 17.05 | 15 | -1610      | 16            |
| 18 | 16.05 | 14 | -1510      | 15            |
| 17 | 15.05 | 13 | -1410      | 14            |
| 16 | 14.05 | 12 | -1310      | 13            |
| 15 | 13.05 | 11 | -1210      | 12            |
| 14 | 12.05 | 10 | -1110      | 11            |
| 13 | 11.05 | 9  | -1010      | 10            |
| 12 | 10.05 | 8  | -0910      | 9             |
| 11 | 9.05  | 7  | -0810      | 8             |
| 10 | 8.05  | 6  | -0710      | 7             |
| 9  | 7.05  | 5  | -0610      | 6             |
| 8  | 6.05  | 4  | -0510      | 5             |
| 7  | 5.05  | 3  | -0410      | 4             |
| 6  | 4.05  | 2  | 52806-0310 | 3             |
| C  | B     | A  | ENG. NO    | 極数<br>CIRCUIT |

|                            |       |           |                         |             |            |
|----------------------------|-------|-----------|-------------------------|-------------|------------|
| 角度 ANGLE                   | +3°   |           |                         |             |            |
| 30以上 OVER                  | +0.3  | B         | REVISED J2003-0413      | S.T         | 02/08/05   |
| 10以上 30未満 UNDER            | +0.25 | A         | REVISED (J40670)        | S.A.M.      | 04/8/20    |
| 未満 10 UNDER                | +0.2  | 0         | PROPOSED (J40434)       | S.A.S       | 04/6/3     |
| 一般公差<br>GENERAL TOLERANCES |       | 記号<br>LTR | 変更内容<br>REVISION RECORD | DR.<br>CHK. | 日付<br>DATE |

|                      |   |
|----------------------|---|
| 材料<br>MATERIAL       | ハウジング: PPS<br>UL 94V-0                    |
| ターミナル:<br>TERMINAL   | りん青銅, 錫メッキ t=0.25<br>PHOS-BRO. TIN-PLATED |
| 仕上げ<br>FINISH        | —//—                                      |
| 適用電線範囲<br>WIRE RANGE | —//—                                      |
| 被覆外径<br>INS. RANGE   | —//—                                      |
| DRAWN BY             | S. AIHARA                                 |
| CHK'D BY             | S. KUNISHI                                |
| APP'D BY             | M. FUKUSHIMA                              |
| 尺度<br>SCALE          | 10-1                                      |
| 材料<br>MATERIAL       | ハウジング: PPS<br>UL 94V-0                    |
| ターミナル:<br>TERMINAL   | りん青銅, 錫メッキ t=0.25<br>PHOS-BRO. TIN-PLATED |
| 仕上げ<br>FINISH        | —//—                                      |
| 適用電線範囲<br>WIRE RANGE | —//—                                      |
| 被覆外径<br>INS. RANGE   | —//—                                      |
| DRAWN BY             | S. AIHARA                                 |
| CHK'D BY             | S. KUNISHI                                |
| APP'D BY             | M. FUKUSHIMA                              |
| 尺度<br>SCALE          | 10-1                                      |
| 材料<br>MATERIAL       | ハウジング: PPS<br>UL 94V-0                    |
| ターミナル:<br>TERMINAL   | りん青銅, 錫メッキ t=0.25<br>PHOS-BRO. TIN-PLATED |
| 仕上げ<br>FINISH        | —//—                                      |
| 適用電線範囲<br>WIRE RANGE | —//—                                      |
| 被覆外径<br>INS. RANGE   | —//—                                      |
| DRAWN BY             | S. AIHARA                                 |
| CHK'D BY             | S. KUNISHI                                |
| APP'D BY             | M. FUKUSHIMA                              |
| 尺度<br>SCALE          | 10-1                                      |

MOLEX-JAPAN CO., LTD.  
日本モレックス株式会社

REVISE ONLY ON CAD SYSTEM  
TITLE 名称  
1.0 FFC CONN.  
NON Z.I.F. DIP ST.

DWG. NO. (SHEET 1 OF 2) REV B  
SD-52806-\*\*-10

