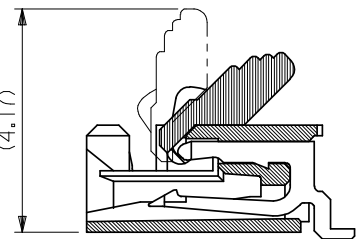
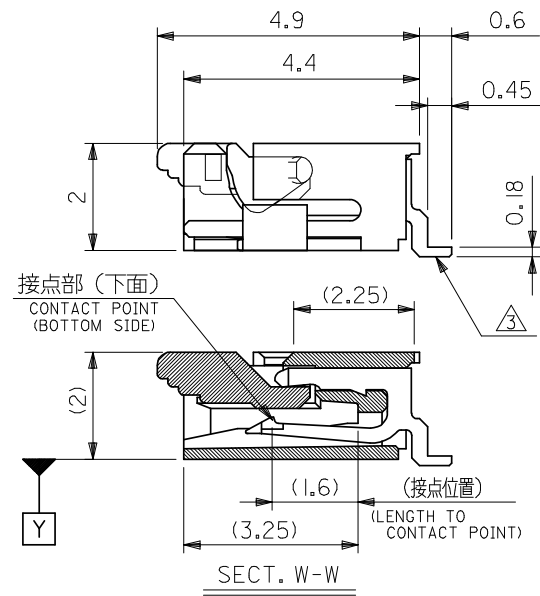


注記 NOTES

1. 使用材料 MATERIAL
 ハウジング : 46ナイロン, UL94V-0
 HOUSING : 46NYLON
 アクチュエータ : PPS, UL94V-0
 ACTUATOR
 ターミナル : リン青銅 (t=0.2), ニッケル下地錫ビスマスメッキ
 TERMINAL : PHOS-BRO, TIN-BISMUTH OVER NICKEL PLATED
 金具 : リン青銅 (t=0.2), ニッケル下地錫メッキ
 FITTING NAIL : PHOS-BRO, TIN OVER NICKEL PLATED
- △ パターンはくり止め用金具
 FITTING NAIL FOR PREVENTION OF PEELING OF P.C.B. PATTERN.
- △ ソルダータール半田付け面のスレ量, 及び金具半田付け面のスレ量は, 基準面 Y に対し上方向 0.05MAX. 下方向 0.2MAX. とする。
 MISALIGNMENT OF SOLDER TAILS AND FITTING NAILS FROM UPPER DIRECTION: 0.05 MAX., LOWER DIRECTION: 0.2 MAX.
- △ 偶数極に適用。
 APPLY FOR EVEN CIRCUIT.
5. 本製品は52892-**-17の鉛フリー品である。
 THIS PRODUCT IS LEAD FREE OF 52892-**-17

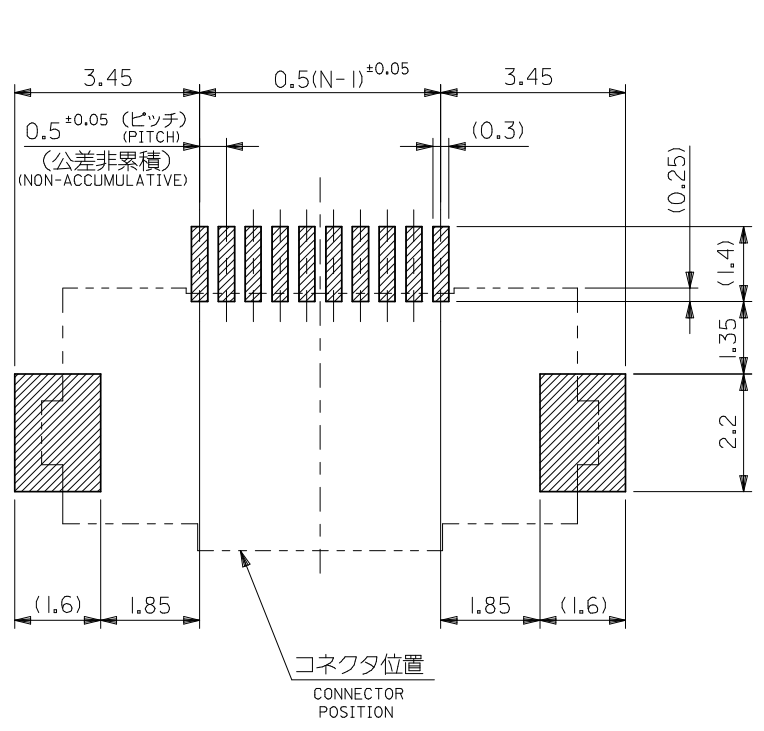


アクチュエータを開いた状態
 WHEN ACTUATOR IS OPEN

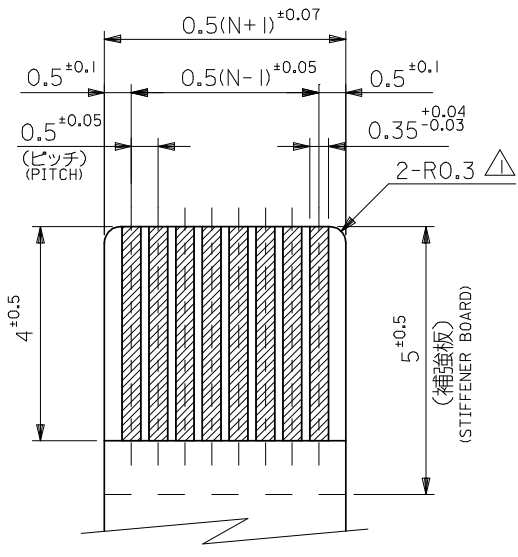


19.6	15.5	14.57	14.5	52892-3095	52892-3019	30
18.6	14.5	13.57	13.5	-2895	-2819	28
17.6	13.5	12.57	12.5	-2695	-2619	26
16.6	12.5	11.57	11.5	-2495	-2419	24
15.6	11.5	10.57	10.5	-2295	-2219	22
14.6	10.5	9.57	9.5	-2095	-2019	20
14.1	10.0	9.07	9.0	-1995	-1919	19
13.6	9.5	8.57	8.5	-1895	-1819	18
13.1	9.0	8.07	8.0	-1795	-1719	17
12.6	8.5	7.57	7.5	-1695	-1619	16
12.1	8.0	7.07	7.0	-1595	-1519	15
11.6	7.5	6.57	6.5	-1495	-1419	14
11.1	7.0	6.07	6.0	-1395	-1319	13
10.6	6.5	5.57	5.5	-1295	-1219	12
10.1	6.0	5.07	5.0	-1195	-1119	11
9.6	5.5	4.57	4.5	-1095	-1019	10
8.6	4.5	3.57	3.5	52892-0895	52892-0819	8
D	C	B	(A)	EMBOSSED TAPE ORDER No. オーダー番号	MATERIAL NO.	極数 CIRCUIT

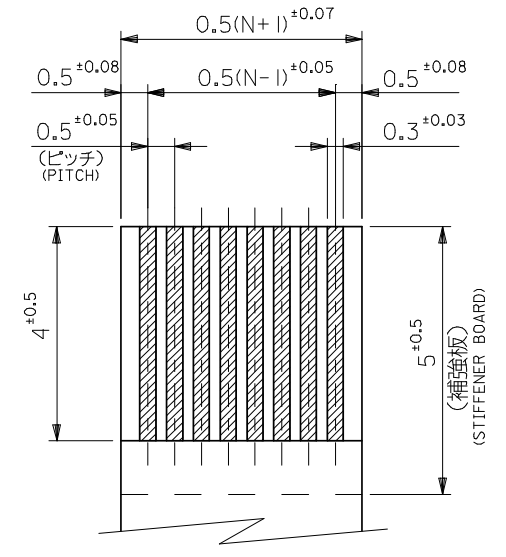
REVISED EC NO: J2008-4308 DRWN: NABEI 2008/06/27 CHKD: THARUYAMA 2008/06/30 APPR: NUKITA 2008/06/30	GENERAL TOLERANCES (UNLESS SPECIFIED)		DIMENSION STYLE	SCALE	DESIGN UNITS	THIRD ANGLE PROJECTION
			MM ONLY	---	METRIC	
	10 UNDER	±0.2	DRAWN BY	DATE	TITLE	
	10 OVER 30 UNDER	±0.25	M. NABEI	2004/01/09	0.5 FPC CONN ASSY ZIF SMT RA(BTM CONT) E/O -LEAD FREE-	
	30 OVER	±0.3	CHECKED BY	DATE	MOLEX INCORPORATED	
ANGULAR	±3 °	M. SASAO	2004/01/09	MATERIAL NO. DOCUMENT NO.		
DRAFT WHERE APPLICABLE MUST REMAIN WITHIN DIMENSIONS		SEE TABLE		SD-52892-040		SHEET NO. 1 OF 3
THIS DRAWING CONTAINS INFORMATION THAT IS PROPRIETARY TO MOLEX INCORPORATED AND SHOULD NOT BE USED WITHOUT WRITTEN PERMISSION						



参考基板レイアウト
RECOMMENDED P.C.BOARD
PATTERN DIMENSION (REF.)
(マウント面)
(MOUNTING SIDE)



適合FPC推奨寸法
APPLICABLE FPC
RECOMMENDED DIMENSION
(仕上がり厚さ: 0.3±0.03)
(THICKNESS: 0.3±0.03)



適合FFC推奨寸法
APPLICABLE FFC
RECOMMENDED DIMENSION
(仕上がり厚さ: 0.3±0.03)
(THICKNESS: 0.3±0.03)

注記 NOTES

△ R0.3は、FPCの導体部にかからないこと。
R0.3 MUST NOT BE OVERLAPPED TO PATTERN OF FPC.

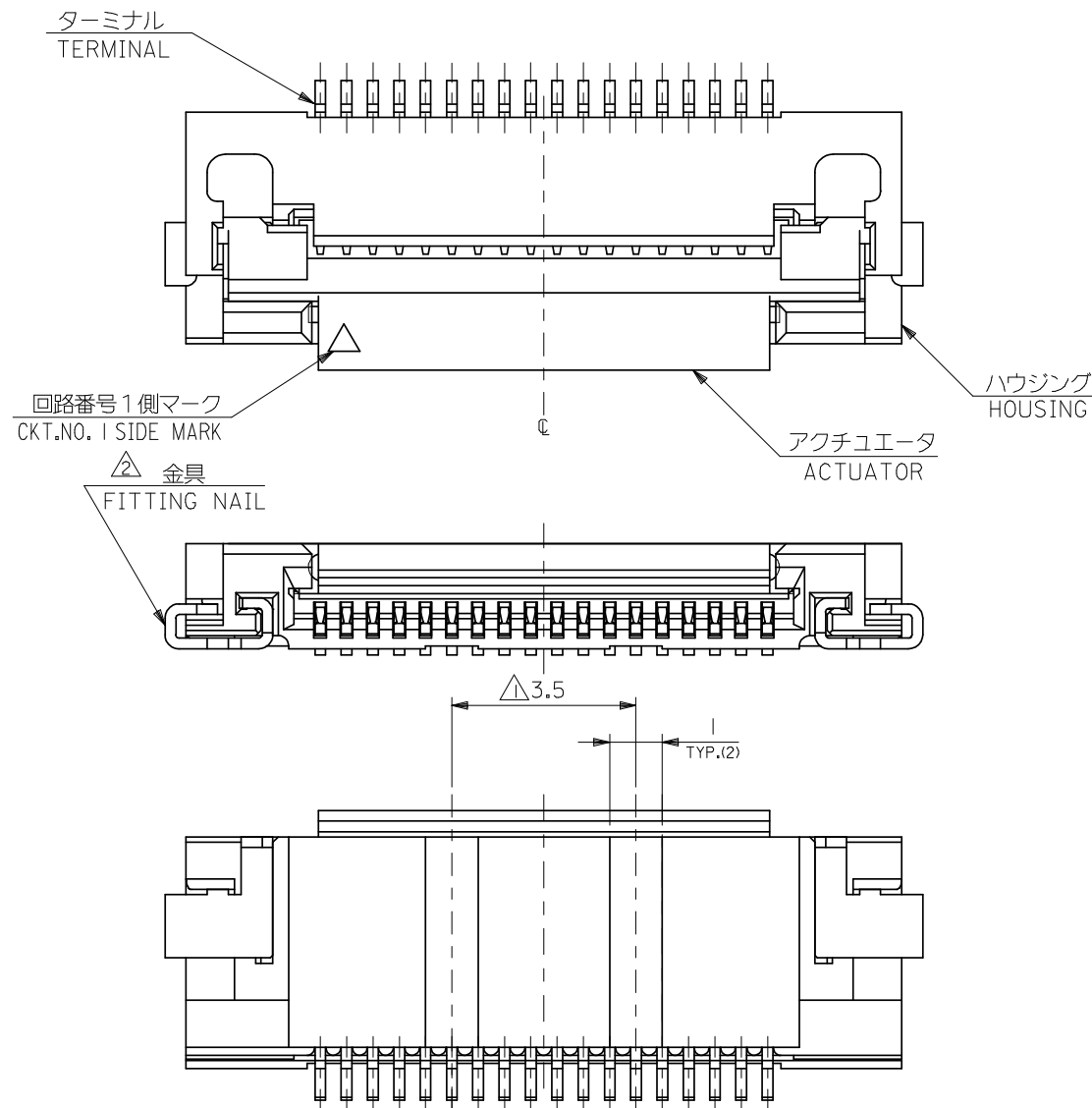
2. FPCについて:

打抜き方向は導体側から補強板側を推奨致します。
補強フィルム材質はポリイミドを推奨致します。
接着剤は熱硬化接着剤を推奨致します。

ABOUT FPC:

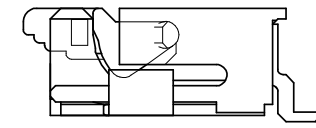
RECOMMENDED PUNCHER DIRECTION : FROM CONDUCTOR SIDE TO STIFFENER BOARD SIDE.
RECOMMENDED MATERIAL:
STIFFENER FILM : POLYIMIDE
BONDING AGENT : THERMOSETTING BONDING AGENT

REVISED EC NO: J2008-4308 DRWN: NABEI 2008/06/27 CHKD: THARUYAMA 2008/06/30 APPR: NUKITA 2008/06/30	DESCRIPTION REV	GENERAL TOLERANCES (UNLESS SPECIFIED)		DIMENSION STYLE MM ONLY		SCALE ---	52892-**19	MODEL NO.
		10 UNDER	±0.2	DRAWN BY M. NABEI	DATE 2004/01/09	TITLE	DESIGN UNITS METRIC	THIRD ANGLE PROJECTION
		10 OVER 30 UNDER	±0.25	CHECKED BY M. SASAO	DATE 2004/01/09	0.5 FPC CONN ASSY ZIF SMT RA(BTM CONT) E/O -LEAD FREE-	MOLEX INCORPORATED	
		30 OVER	±0.3	APPROVED BY M. SASAO	DATE 2004/01/09			
		ANGULAR	±3 °	MATERIAL NO.		DOCUMENT NO.	SHEET NO.	
DRAFT WHERE APPLICABLE MUST REMAIN WITHIN DIMENSIONS		SEE SHEET 1		SD-52892-040		2 OF 3		
THIS DRAWING CONTAINS INFORMATION THAT IS PROPRIETARY TO MOLEX INCORPORATED AND SHOULD NOT BE USED WITHOUT WRITTEN PERMISSION								

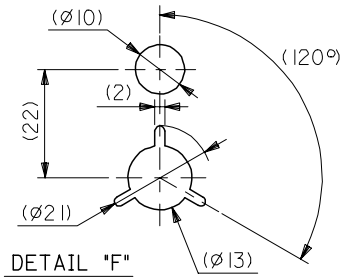
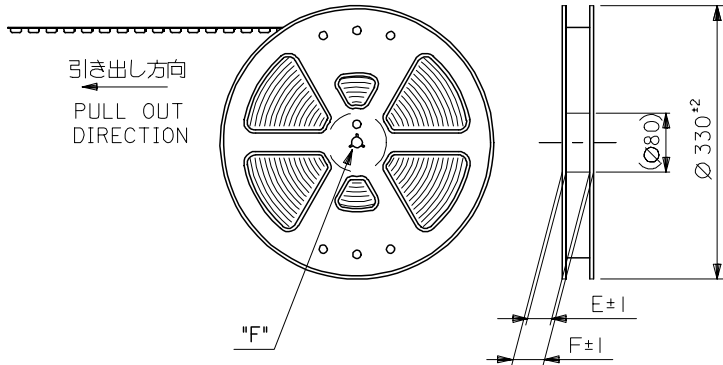


金型変更に伴う形状変更品形状図
 APPLY CHANGED FORM AT CHANGED DIE

注記 NOTES
 △ 18極以上は2ヶ所、10~16極はハウジングセンター上に1ヶ所とする。
 18 CKTS & MORE THAN 18 CKTS PLACED 2 POINT.
 10~16 CKTS PLACED 1 POINT ON HOUSING CENTER.

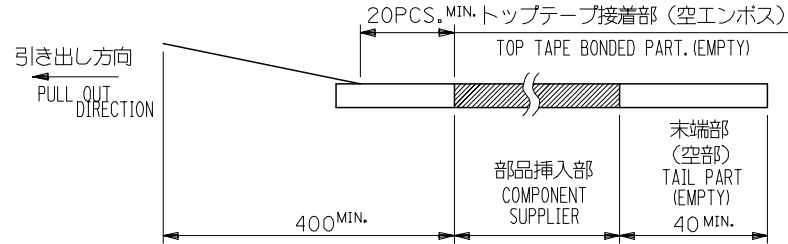


REVISED EC NO: J2008-4308 DRWN: NABEI 2008/06/27 CH'KD: THARUYAMA 2008/06/30 APPR: NUKITA 2008/06/30	GENERAL TOLERANCES (UNLESS SPECIFIED)		DIMENSION STYLE MM ONLY		SCALE ---	DESIGN UNITS METRIC	MODEL NO. 52892-**19	THIRD ANGLE PROJECTION
	10 UNDER	±0.2	DRAWN BY M. NABEI	DATE 2004/01/09	TITLE 0.5 FPC CONN ASSY ZIF SMT RA(BTM CONT) E/O -LEAD FREE-			
	10 OVER 30 UNDER	±0.25	CHECKED BY M. SASAO	DATE 2004/01/09	MOLEX INCORPORATED			
	30 OVER	±0.3	APPROVED BY M. SASAO	DATE 2004/01/09	MATERIAL NO. SEE SHEET 1	DOCUMENT NO. SD-52892-040	SHEET NO. 3 OF 3	
	ANGULAR ±3 °		DRAFT WHERE APPLICABLE MUST REMAIN WITHIN DIMENSIONS		THIS DRAWING CONTAINS INFORMATION THAT IS PROPRIETARY TO MOLEX INCORPORATED AND SHOULD NOT BE USED WITHOUT WRITTEN PERMISSION			

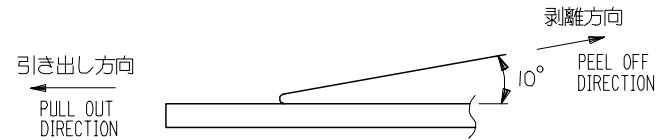


注記 NOTES

- 製品詳細寸法については図面 SD-52892-040 を参照下さい。
RE DETAILED DIMENSION, SEE SD-52892-040
- 梱包数量：1000個/リール
NUMBER OF CONNECTORS：1000PCS/REEL
- リードテープ長さ LEAD TAPE LENGTH

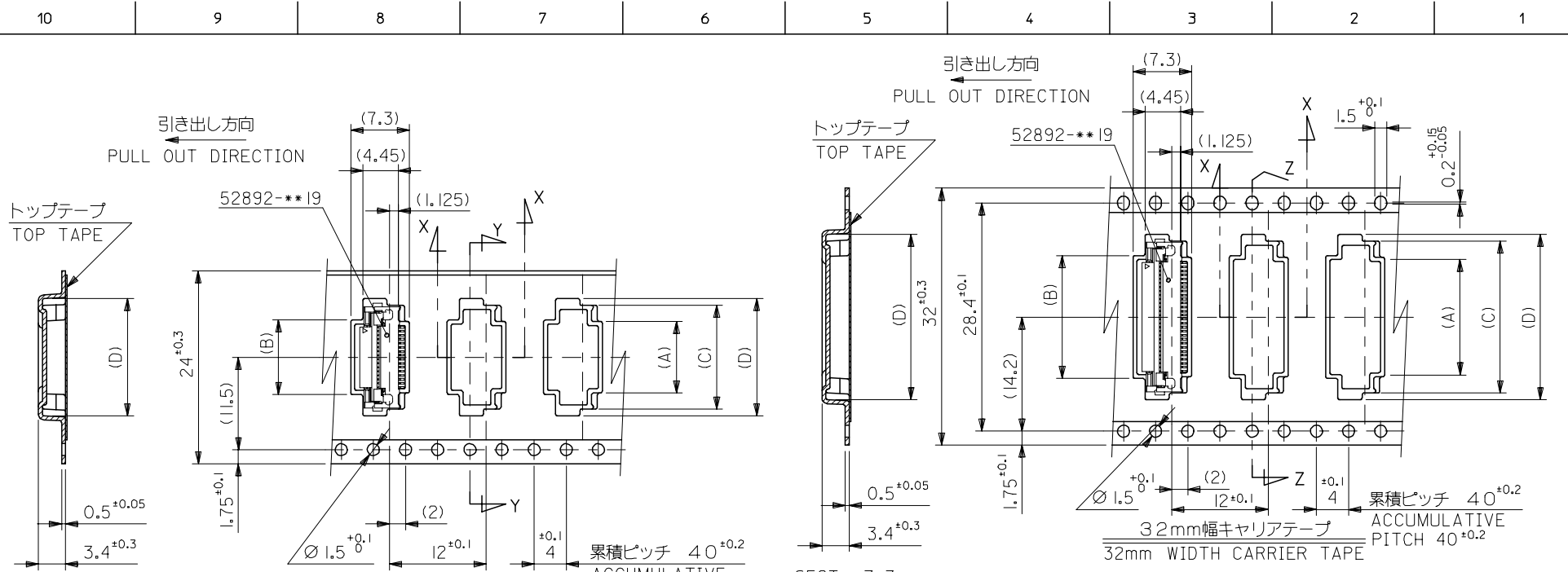


- トップテープの剥離強度： 0.1N ~ 1.3N(10 ~ 130gf)
(剥離方向は下図参照)
尚、本規格値は出荷時に適用。(但し、輸送時に剥離が発生しないこと。)
PEELING OFF FORCE OF TOP TAPE：0.1N ~ 1.3N(10 ~ 130gf)
(PEELING DIRECTION AS SHOWN IN FOLLOWING FIG.)
THIS REQUIREMENT SHOULD BE APPLIED AT SHIPMENT.
PEEL OFF SHOULD NOT BE ALLOWED, DURING TRANSPORTATION.



- 材料(MATERIAL)
キャリアテープ(CARRIER TAPE)：ポリプロピレン(POLYPROPYLENE)
トップテープ(TOPTAPE)：PET, PE, PEF
リール(REEL)：ポリスチレン (PS) <リサイクル材を含む>
POLYSTYRENE (PS) <RECYCLE MATERIAL CONTAINED>
- 本製品は52892-**-90の鉛フリー品である。
THIS PRODUCT IS LEAD FREE OF 52892-**-90

REVISED EC NO: J2005-1026 DRWN: SASAMOR 2004/10/06 CHKD: TOJO 2004/10/07 APPR: NUKITA 2004/10/12	GENERAL TOLERANCES (UNLESS SPECIFIED)		DIMENSION STYLE MM ONLY		SCALE ---	DESIGN UNITS METRIC	THIRD ANGLE PROJECTION
	10 UNDER	±0.2	DRAWN BY M. NABEI	DATE 2004/01/09	TITLE EMBOSSD TAPE PACKAGE FOR 0.5 FPC CONN. -LEAD FREE-		
	10 OVER 30 UNDER	±0.25	CHECKED BY M. SASAO	DATE 2004/01/09	MOLEX INCORPORATED		
	30 OVER	±0.3	APPROVED BY M. SASAO	DATE 2004/01/09	DOCUMENT NO. SD-52892-041	SHEET NO. 1 OF 2	
A	ANGULAR	±3	MATERIAL NO. 52892-**-95		THIS DRAWING CONTAINS INFORMATION THAT IS PROPRIETARY TO MOLEX INCORPORATED AND SHOULD NOT BE USED WITHOUT WRITTEN PERMISSION		
DRAFT WHERE APPLICABLE MUST REMAIN WITHIN DIMENSIONS							



SECT : Y-Y

24mm幅キャリアテープ
24mm WIDTH CARRIER TAPE

SECT : X-X

SECT : Z-Z

32	37.4	33.4	21.6	19.9	16.1	15.9	52892-3095	30
			20.6	18.9	15.1	14.9	-2895	28
24	29.4	25.4	19.6	17.9	14.1	13.9	-2695	26
			18.6	16.9	13.1	12.9	-2495	24
			17.6	15.9	12.1	11.9	-2295	22
			16.6	14.9	11.1	10.9	-2095	20
			16.1	14.4	10.6	10.4	-1995	19
			15.6	13.9	10.1	9.9	-1895	18
			15.1	13.4	9.6	9.4	-1795	17
			14.6	12.9	9.1	8.9	-1695	16
			14.1	12.4	8.6	8.4	-1595	15
			13.6	11.9	8.1	7.9	-1495	14
			13.1	11.4	7.6	7.4	-1395	13
			12.6	10.9	7.1	6.9	-1295	12
			12.1	10.4	6.6	6.4	-1195	11
			11.6	9.9	6.1	5.9	-1095	10
10.6	8.9	5.1	4.9	52892-0895	8			

キャリアテープ幅 CARRIER TAPE WIDTH F E (D) (C) (B) (A) MATERIAL NO. 極数 CIRCUIT

REVISED EC NO: J2005-1026 DRWN: SASAMOR 2004/10/06 CHKDK: TOJO 2004/10/07 APPR: NUKITA 2004/10/12	GENERAL TOLERANCES (UNLESS SPECIFIED)		DIMENSION STYLE MM ONLY		SCALE ---	DESIGN UNITS METRIC	THIRD ANGLE PROJECTION	
	10 UNDER	±0.2	DRAWN BY M. NABEI	DATE 2004/01/09	TITLE EMBOSSD TAPE PACKAGE FOR 0.5 FPC CONN. -LEAD FREE-			
	10 OVER 30 UNDER	±0.25	CHECKED BY M. SASAO	DATE 2004/01/09	MOLEX MOLEX INCORPORATED			
	30 OVER	±0.3	APPROVED BY M. SASAO	DATE 2004/01/09	DOCUMENT NO. SD-52892-041 SHEET NO. 2 OF 2			
	ANGULAR	±3°	MATERIAL NO. 52892-**95		THIS DRAWING CONTAINS INFORMATION THAT IS PROPRIETARY TO MOLEX INCORPORATED AND SHOULD NOT BE USED WITHOUT WRITTEN PERMISSION			