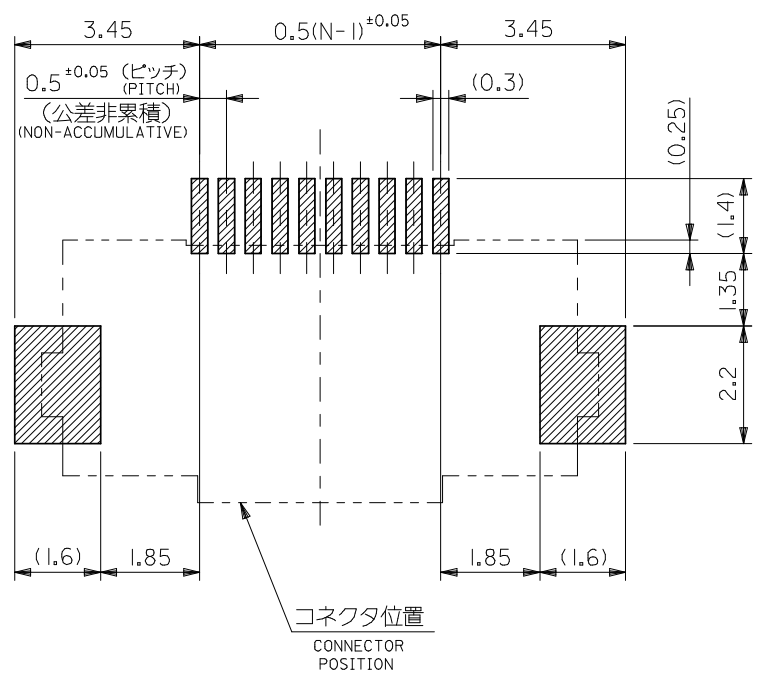


注記 NOTES

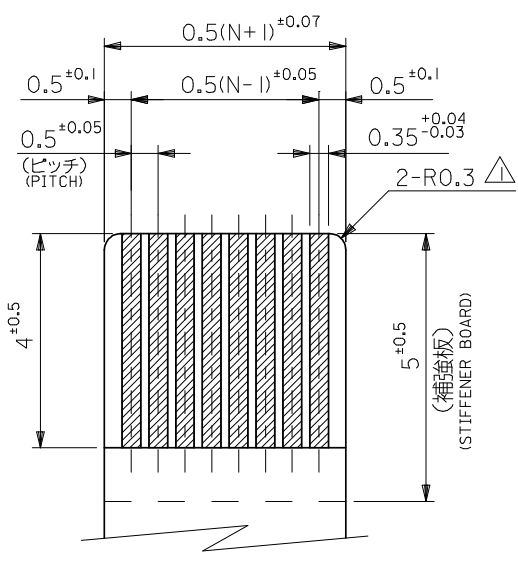
1. 使用材料 MATERIAL
 ハウジング : 46ナイロン, UL94V-0
 HOUSING : 46NYLON
 アクチュエータ : PPS, UL94V-0
 ACTUATOR
 ターミナル : リン青銅 (t=0.2), ニッケル下地錫ピスマスメッキ
 TERMINAL : PHOS-BRO, TIN-BISMUTH OVER NICKEL PLATED
 金具 : リン青銅 (t=0.2), ニッケル下地錫メッキ
 FITTING NAIL : PHOS-BRO, TIN OVER NICKEL PLATED
- △ パターンはくり止め用金具
 FITTING NAIL FOR PREVENTION OF PEELING OF P.C.B. PATTERN.
- △ ソルダータール半田付け面のスレ量, 及び金具半田付け面のスレ量は, 基準面
 に対し上方向 0.05MAX. 下方向 0.2MAX. とする。
 MISALIGNMENT OF SOLDER TAILS AND FITTING NAILS FROM
 UPPER DIRECTION: 0.05 MAX., LOWER DIRECTION: 0.2 MAX.
- △ 偶数極に適用。
 APPLY FOR EVEN CIRCUIT.
5. 本製品は52892-**-17の鉛フリー品である。
 THIS PRODUCT IS LEAD FREE OF 52892-**-17

19.6	15.5	14.57	14.5	52892-3095	52892-3019	30
18.6	14.5	13.57	13.5	-2895	-2819	28
17.6	13.5	12.57	12.5	-2695	-2619	26
16.6	12.5	11.57	11.5	-2495	-2419	24
15.6	11.5	10.57	10.5	-2295	-2219	22
14.6	10.5	9.57	9.5	-2095	-2019	20
14.1	10.0	9.07	9.0	-1995	-1919	19
13.6	9.5	8.57	8.5	-1895	-1819	18
13.1	9.0	8.07	8.0	-1795	-1719	17
12.6	8.5	7.57	7.5	-1695	-1619	16
12.1	8.0	7.07	7.0	-1595	-1519	15
11.6	7.5	6.57	6.5	-1495	-1419	14
11.1	7.0	6.07	6.0	-1395	-1319	13
10.6	6.5	5.57	5.5	-1295	-1219	12
10.1	6.0	5.07	5.0	-1195	-1119	11
9.6	5.5	4.57	4.5	-1095	-1019	10
8.6	4.5	3.57	3.5	52892-0895	52892-0819	8
D	C	B	(A)	EMBOSSED TAPE ORDER No. オーダー番号	MATERIAL NO.	極数 CIRCUIT

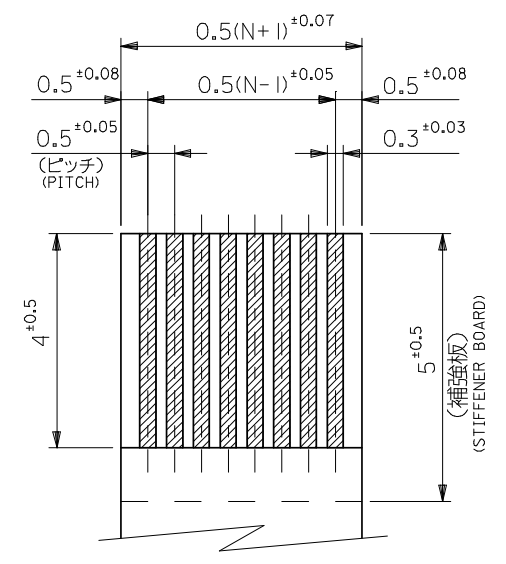
REVISED EC NO: J2008-4308 DRWN: NABEI 2008/06/27 CHKD: THARUYAMA 2008/06/30 APPR: NUKITA 2008/06/30 DESCRIPTION REV	GENERAL TOLERANCES (UNLESS SPECIFIED)		DIMENSION STYLE MM ONLY		SCALE ---	DESIGN UNITS METRIC	THIRD ANGLE PROJECTION	
	10 UNDER	±0.2	DRAWN BY M. NABEI	DATE 2004/01/09	TITLE 0.5 FPC CONN ASSY ZIF SMT RA(BTM CONT) E/O -LEAD FREE-			
	10 OVER 30 UNDER	±0.25	CHECKED BY M. SASAO	DATE 2004/01/09				
	30 OVER	±0.3	APPROVED BY M. SASAO	DATE 2004/01/09	MOLEX INCORPORATED			
	ANGULAR	±3	MATERIAL NO.					
DRAFT WHERE APPLICABLE MUST REMAIN WITHIN DIMENSIONS			SEE TABLE		SD-52892-040		1 OF 3	



参考基板レイアウト
RECOMMENDED P.C.BOARD
PATTERN DIMENSION (REF.)
(マウント面)
(MOUNTING SIDE)



適合FPC推奨寸法
APPLICABLE FPC
RECOMMENDED DIMENSION
(仕上がり厚さ: 0.3±0.03)
(THICKNESS: 0.3±0.03)



適合FFC推奨寸法
APPLICABLE FFC
RECOMMENDED DIMENSION
(仕上がり厚さ: 0.3±0.03)
(THICKNESS: 0.3±0.03)

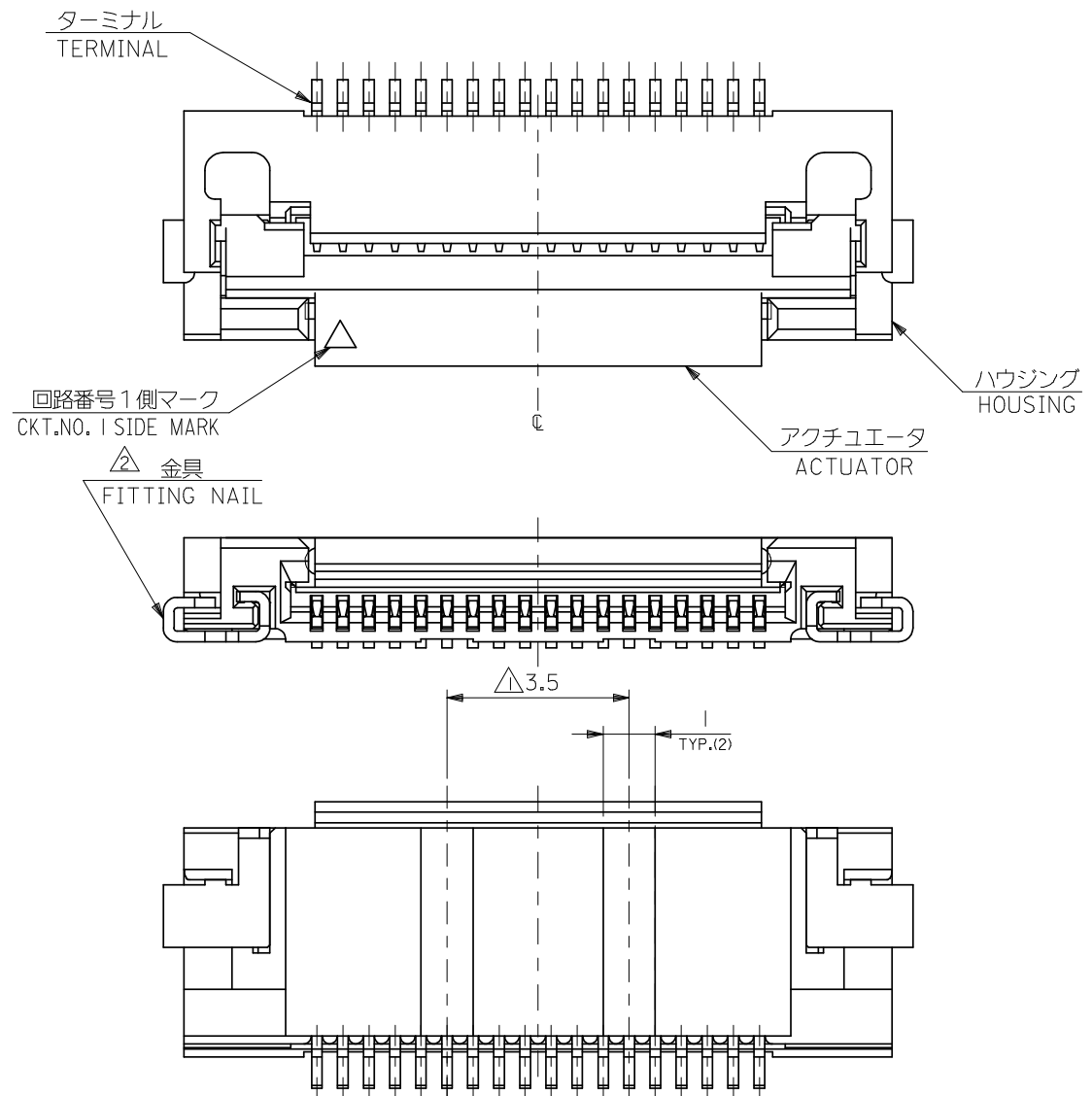
2. FPCについて:
打抜き方向は導体側から補強板側を推奨致します。
補強フィルム材質はポリイミドを推奨致します。
接着剤は熱硬化接着剤を推奨致します。

ABOUT FPC:
RECOMMENDED PUNCHER DIRECTION : FROM CONDUCTOR SIDE TO STIFFENER BOARD SIDE.
RECOMMENDED MATERIAL:
STIFFENER FILM : POLYIMIDE
BONDING AGENT : THERMOSETTING BONDING AGENT

注記 NOTES

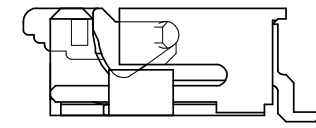
- △ R0.3は、FPCの導体部にかからないこと。
R0.3 MUST NOT BE OVERLAPPED TO PATTERN OF FPC.

REVISED EC NO: J2008-4308 DRAWN: NABEI 2008/06/27 CHKD: THARUYAMA 2008/06/30 APPR: NUKITA 2008/06/30	DESCRIPTION	GENERAL TOLERANCES (UNLESS SPECIFIED)		DIMENSION STYLE MM ONLY		SCALE ---	52892-**19	MODEL NO.
		10 UNDER	±0.2	DRAWN BY M. NABEI	DATE 2004/01/09	TITLE	0.5 FPC CONN ASSY ZIF SMT RA(BTM CONT) E/O -LEAD FREE-	THIRD ANGLE PROJECTION
		10 OVER 30 UNDER	±0.25	CHECKED BY M. SASAO	DATE 2004/01/09	MOLEX INCORPORATED		
		30 OVER	±0.3	APPROVED BY M. SASAO	DATE 2004/01/09	MATERIAL NO.	DOCUMENT NO.	SHEET NO.
		ANGULAR ±3 °		DRAFT WHERE APPLICABLE MUST REMAIN WITHIN DIMENSIONS		SEE SHEET 1	SD-52892-040	2 OF 3
REV		THIS DRAWING CONTAINS INFORMATION THAT IS PROPRIETARY TO MOLEX INCORPORATED AND SHOULD NOT BE USED WITHOUT WRITTEN PERMISSION						



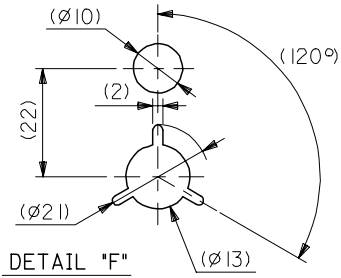
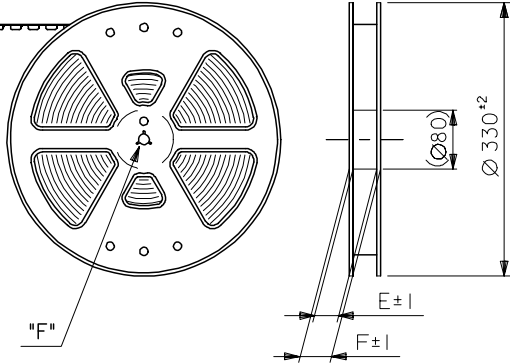
金型変更に伴う形状変更品形状図
 APPLY CHANGED FORM AT CHANGED DIE

注記 NOTES
 △ 18極以上は2ヶ所、10~16極はハウジングセンター上に1ヶ所とする。
 18 CKTS & MORE THAN 18 CKTS PLACED 2 POINT.
 10~16 CKTS PLACED 1 POINT ON HOUSING CENTER.



REVISED EC NO: J2008-4308 DRWN: NABEI 2008/06/27 CH'KD: THARUYAMA 2008/06/30 APPR: NUKITA 2008/06/30	GENERAL TOLERANCES (UNLESS SPECIFIED)		DIMENSION STYLE MM ONLY		SCALE ---	52892-**19	MODEL NO.
	10 UNDER ±0.2		DRAWN BY DATE M. NABEI 2004/01/09		TITLE 0.5 FPC CONN ASSY ZIF SMT RA(BTM CONT) E/O -LEAD FREE-	DESIGN UNITS METRIC	THIRD ANGLE PROJECTION
	10 OVER 30 UNDER ±0.25		CHECKED BY DATE M. SASAO 2004/01/09			MOLEX INCORPORATED	DOCUMENT NO. SD-52892-040
	30 OVER ±0.3		APPROVED BY DATE M. SASAO 2004/01/09		SEE SHEET 1		
	ANGULAR ±3 °		MATERIAL NO.			THIS DRAWING CONTAINS INFORMATION THAT IS PROPRIETARY TO MOLEX INCORPORATED AND SHOULD NOT BE USED WITHOUT WRITTEN PERMISSION	
DRAFT WHERE APPLICABLE MUST REMAIN WITHIN DIMENSIONS		SIZE A3					

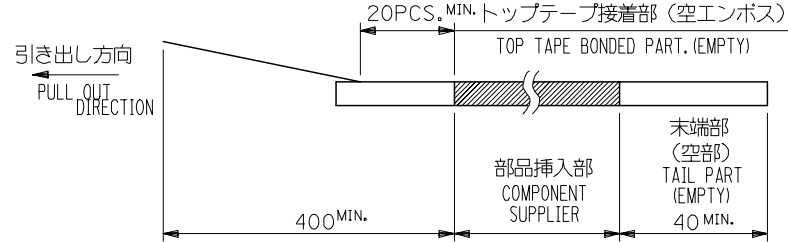
引き出し方向
PULL OUT
DIRECTION



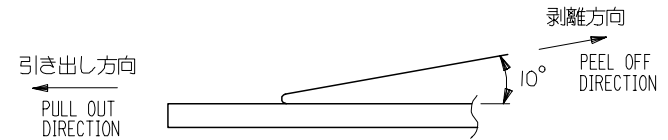
DETAIL "F"

注記 NOTES

- 製品詳細寸法については図面 SD-52892-040 を参照下さい。
RE DETAILED DIMENSION, SEE SD-52892-040
- 梱包数量：1000個/リール
NUMBER OF CONNECTORS : 1000PCS/REEL
- リードテープ長さ LEAD TAPE LENGTH



- トップテープの剥離強度： 0.1N ~ 1.3N(10 ~ 130gf)
(剥離方向は下図参照)
尚、本規格値は出荷時に適用。(但し、輸送時に剥離が発生しないこと。)
PEELING OFF FORCE OF TOP TAPE : 0.1N ~ 1.3N(10 ~ 130gf)
(PEELING DIRECTION AS SHOWN IN FOLLOWING FIG.)
THIS REQUIREMENT SHOULD BE APPLIED AT SHIPMENT.
PEEL OFF SHOULD NOT BE ALLOWED , DURING TRANSPORTATION.

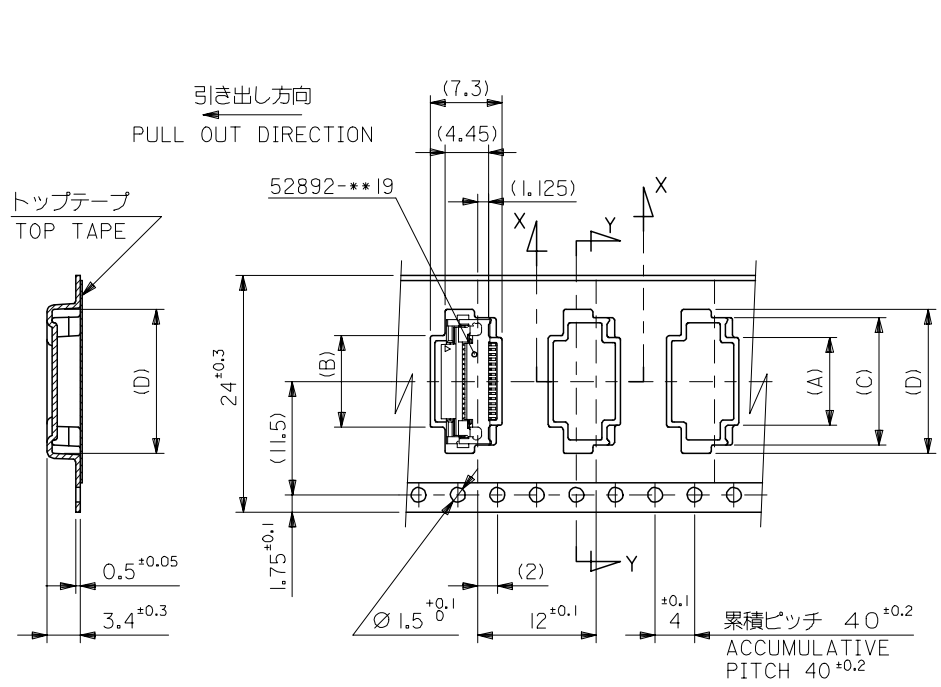


- 材料(MATERIAL)
キャリアテープ(CARRIER TAPE) : ポリプロピレン(POLYPROPYLENE)
トップテープ(TOPTAPE) : PET , PE , PEF
リール(REEL) : ホリスチレン (PS) <リサイクル材を含む>
POLYSTYRENE (PS) <RECYCLE MATERIAL CONTAINED>
- 本製品は52892-**-90の鉛フリー品である。
THIS PRODUCT IS LEAD FREE OF 52892-**-90

REVISED EC NO: J2005-1026 DRAWN: SASAMOR 2004/10/06 CHYKDK: TOJO 2004/10/07 APPR: NUKITA 2004/10/12	GENERAL TOLERANCES (UNLESS SPECIFIED)		DIMENSION STYLE MM ONLY		SCALE ---	DESIGN UNITS METRIC	THIRD ANGLE PROJECTION	
	10 UNDER	± 0.2	DRAWN BY M. NABEI	DATE 2004/01/09	TITLE EMBOSSD TAPE PACKAGE FOR 0.5 FPC CONN. -LEAD FREE-			
	10 OVER 30 UNDER	± 0.25	CHECKED BY M. SASAO	DATE 2004/01/09				
	30 OVER	± 0.3	APPROVED BY M. SASAO	DATE 2004/01/09	MOLEX INCORPORATED			
ANGULAR	± 3 °	MATERIAL NO. 52892-**-95	DOCUMENT NO. SD-52892-041	SHEET NO. 1 OF 2				
A	DRAFT WHERE APPLICABLE MUST REMAIN WITHIN DIMENSIONS		SIZE A3		THIS DRAWING CONTAINS INFORMATION THAT IS PROPRIETARY TO MOLEX INCORPORATED AND SHOULD NOT BE USED WITHOUT WRITTEN PERMISSION			

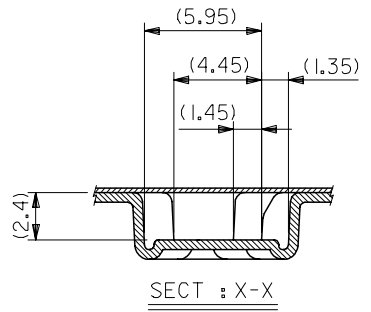
10 9 8 7 6 5 4 3 2 1

F
E
D
C
B
A

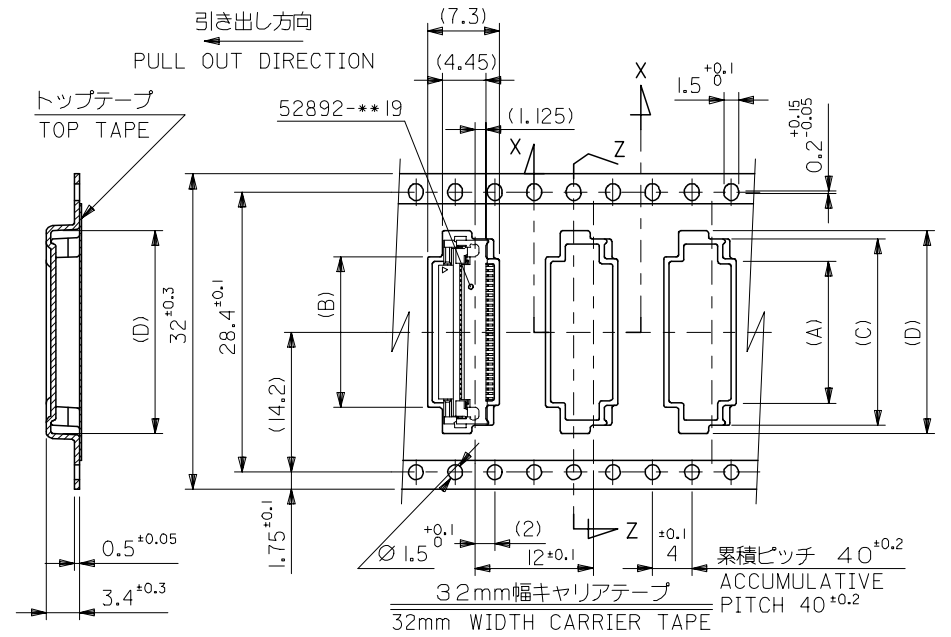


SECT : Y-Y

24mm幅キャリアテープ
24mm WIDTH CARRIER TAPE



SECT : X-X



SECT : Z-Z

32mm幅キャリアテープ
32mm WIDTH CARRIER TAPE

32	37.4	33.4	21.6	19.9	16.1	15.9	52892-3095	30		
			20.6	18.9	15.1	14.9	-2895	28		
			19.6	17.9	14.1	13.9	-2695	26		
			18.6	16.9	13.1	12.9	-2495	24		
			17.6	15.9	12.1	11.9	-2295	22		
			16.6	14.9	11.1	10.9	-2095	20		
			16.1	14.4	10.6	10.4	-1995	19		
			15.6	13.9	10.1	9.9	-1895	18		
			15.1	13.4	9.6	9.4	-1795	17		
			14.6	12.9	9.1	8.9	-1695	16		
24	29.4	25.4	14.1	12.4	8.6	8.4	-1595	15		
			13.6	11.9	8.1	7.9	-1495	14		
			13.1	11.4	7.6	7.4	-1395	13		
			12.6	10.9	7.1	6.9	-1295	12		
			12.1	10.4	6.6	6.4	-1195	11		
			11.6	9.9	6.1	5.9	-1095	10		
			10.6	8.9	5.1	4.9	52892-0895	8		
			キャリアテープ幅 CARRIER TAPE WIDTH							極数 CIRCUIT
			F	E	(D)	(C)	(B)	(A)	MATERIAL NO.	

REVISED EC NO: J2005-1026 DRWN: SASAMOR 2004/10/06 CHKDK: TOJO 2004/10/07 APPR: NUKITA 2004/10/12	GENERAL TOLERANCES (UNLESS SPECIFIED)	DIMENSION STYLE MM ONLY	SCALE ---	DESIGN UNITS METRIC	THIRD ANGLE PROJECTION
	10 UNDER ±0.2	DRAWN BY M. NABEI	DATE 2004/01/09	TITLE EMBOSSED TAPE PACKAGE FOR 0.5 FPC CONN. -LEAD FREE-	
	10 OVER 30 UNDER ±0.25	CHECKED BY M. SASAO	DATE 2004/01/09	MOLEX INCORPORATED	
	30 OVER ±0.3	APPROVED BY M. SASAO	DATE 2004/01/09	DOCUMENT NO. SD-52892-041	SHEET NO. 2 OF 2
	ANGULAR ±3 °	MATERIAL NO. 52892-***95			
DRAFT WHERE APPLICABLE MUST REMAIN WITHIN DIMENSIONS					
SIZE A3 THIS DRAWING CONTAINS INFORMATION THAT IS PROPRIETARY TO MOLEX INCORPORATED AND SHOULD NOT BE USED WITHOUT WRITTEN PERMISSION					

Mouser Electronics

Authorized Distributor

Click to View Pricing, Inventory, Delivery & Lifecycle Information:

[Molex:](#)

[52892-2895](#)