

## FEATURES AND SPECIFICATIONS

### Features and Benefits

- Sizes 2 to 15 circuits
- Locking windows provide secure mating

### Reference Information

Packaging: Tray  
 UL File No.: E29179  
 CSA File No.: LR19980  
 Mates With: [51065](#)  
 Designed In: Millimeters

### Electrical

Voltage: 125V  
 Current

AWG	24	26	28	30
Amperes	2.0	1.5	1.0	0.5

Contact Resistance: 20mΩ max.  
 Dielectric Withstanding Voltage: 500V AC/1 min.  
 Insulation Resistance: 1000 MΩ min.

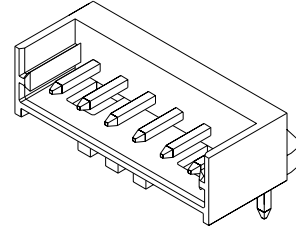
### Physical

Housing: 6/6 nylon, UL 94V-0  
 Contact: Brass  
 Plating: Tin  
 Operating Temperature: -20 to +85°C

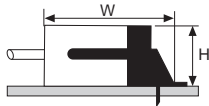
# molex® 2.00mm (.079") Pitch Wire-to-Board Header

## 53254

## Right Angle

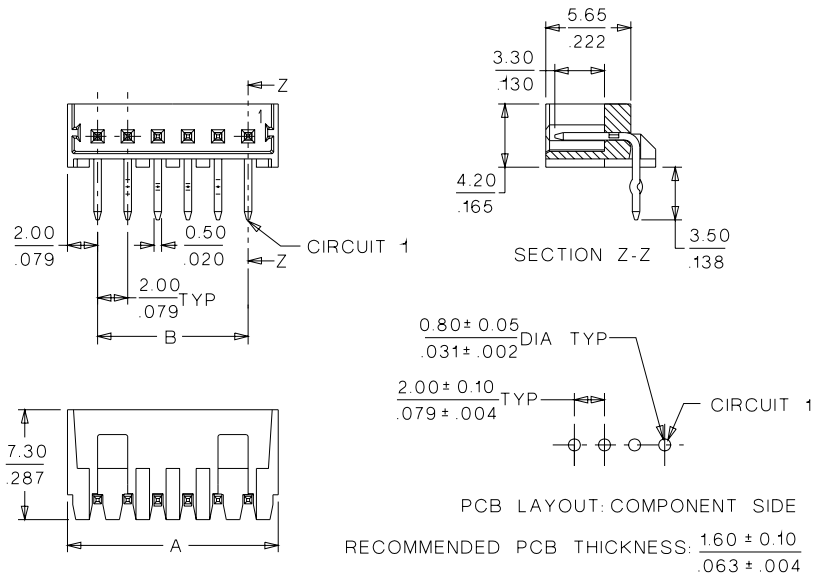


Mating Dimensions  
 53254 • 51065 • 50212  
 H=4.55mm W=9.1mm



2.00 to 2.50mm (.079 to .098") Pitch

## CATALOG DRAWING (FOR REFERENCE ONLY)



## ORDERING INFORMATION AND DIMENSIONS

Circuits	Order No.	Dimension	
		A	B
2	53254-0210	6.00 (.236)	2.00 (.079)
3	53254-0310	8.00 (.315)	4.00 (.157)
4	53254-0410	10.00 (.394)	6.00 (.236)
5	53254-0510	12.00 (.472)	8.00 (.315)
6	53254-0610	14.00 (.551)	10.00 (.394)
7	53254-0710	16.00 (.630)	12.00 (.472)
8	53254-0810	18.00 (.709)	14.00 (.551)
9	53254-0910	20.00 (.787)	16.00 (.630)
10	53254-1010	22.00 (.866)	18.00 (.709)
11	53254-1110	24.00 (.945)	20.00 (.787)
12	53254-1210	26.00 (1.024)	22.00 (.866)
13	53254-1310	28.00 (1.102)	24.00 (.945)
14	53254-1410	30.00 (1.181)	26.00 (1.024)
15	53254-1510	32.00 (1.260)	28.00 (1.102)

Circuits	Kink Position							
	1	2	3	4	5	N-2	N-1	N
3	x	x	x					
4	x	x	x	x				
5	x	x		x	x			
more than 6		x	x			x	x	