

0.4	17.8	16.9	15.2	53309-4029	40
0.8	17.0	16.1	14.4	-3829	38
0.4	16.2	15.3	13.6	-3629	36
0.8	15.4	14.5	12.8	-3429	34
0.4	14.6	13.7	12.0	-3229	32
0.8	13.8	12.9	11.2	-3029	30
0.4	13.0	12.1	10.4	-2829	28
0.8	12.2	11.3	9.6	-2629	26
0.4	11.4	10.5	8.8	-2429	24
0.8	10.6	9.7	8.0	-2229	22
0.4	9.8	8.9	7.2	-2029	20
0.8	9.0	8.1	6.4	-1829	18
0.4	8.2	7.3	5.6	-1629	16
0.8	7.4	6.5	4.8	-1429	14
0.4	6.6	5.7	4.0	-1229	12
0.8	5.8	4.9	3.2	53309-1029	10

注記 NOTES

1. 嵌合相手 : 52465,52588 シリーズ  
MATE WITH : 52465,52588 SERIES
2. ウエハーの C から隣接するピンの C 迄の位置を示す。  
SHOW POSITION FROM C OF WAFER TO C OF ADJACENT PINS.
3. 本製品は 53309-\*\*\*27 の鉛フリー品である。  
THIS PRODUCT IS LEAD FREE OF 53309-\*\*\*27

REVISED EC NO: J2007-3336 DRWN: YAMADA01 CHKD: KYOUDA APPR: NUKITA	GENERAL TOLERANCES (UNLESS SPECIFIED)		DIMENSION STYLE MM ONLY		SCALE ---	DESIGN UNITS METRIC	THIRD ANGLE PROJECTION
	10 UNDER	±0.2	DRAWN BY M. NINOMIYA	DATE 2004/03/10	TITLE 0.8 B/B CONN. WAFER ASS'Y R/A SMT(WITHOUT BOSS) -LEAD FREE-		
	10 OVER 30 UNDER	±0.25	CHECKED BY K. TOJO	DATE 2004/03/10	MOLEX INCORPORATED		
	30 OVER	±0.3	APPROVED BY M. SASAO	DATE 2004/03/10	DOCUMENT NO. SD-53309-011		
ANGULAR ±3 °		DRAFT WHERE APPLICABLE MUST REMAIN WITHIN DIMENSIONS		SEE TABLE		SHEET NO. 1 OF 2	
THIS DRAWING CONTAINS INFORMATION THAT IS PROPRIETARY TO MOLEX INCORPORATED AND SHOULD NOT BE USED WITHOUT WRITTEN PERMISSION							

10 9 8 7 6 5 4 3 2 1

F

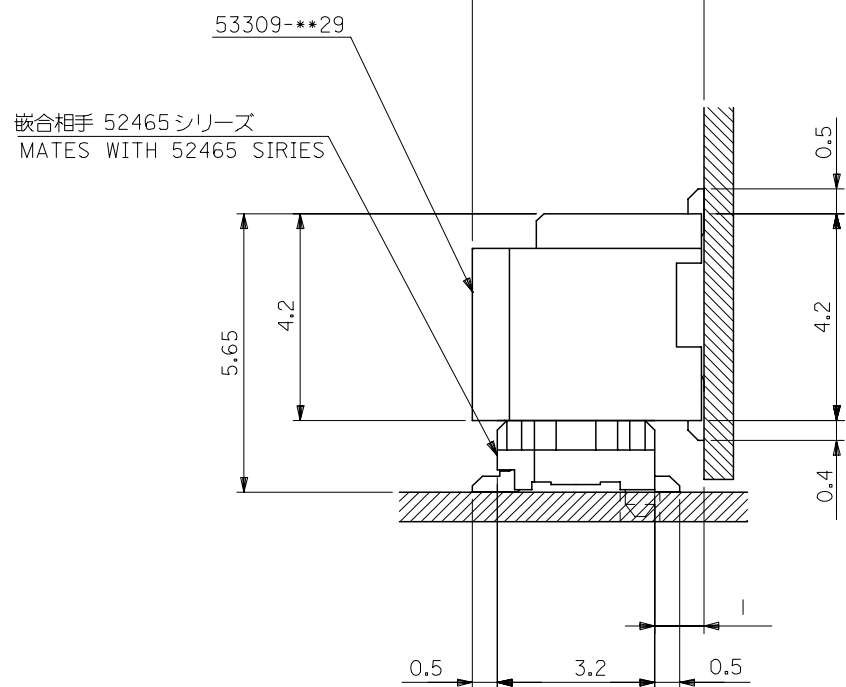
E

D

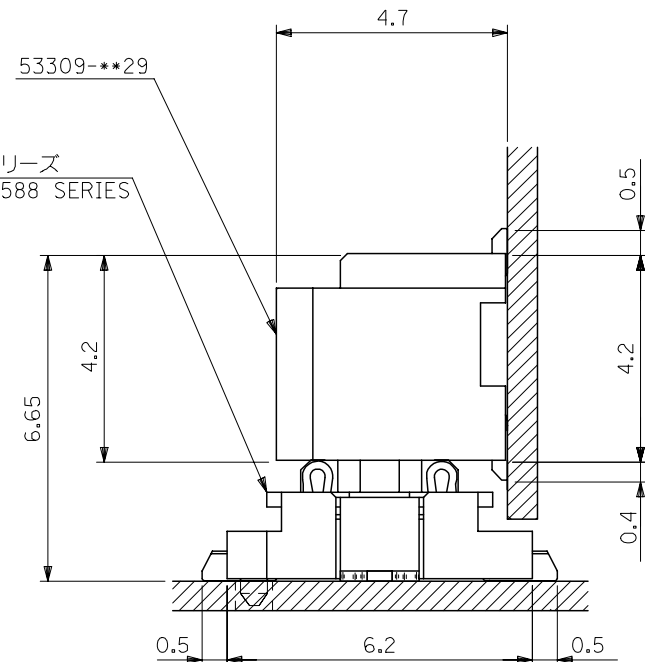
C

B

A



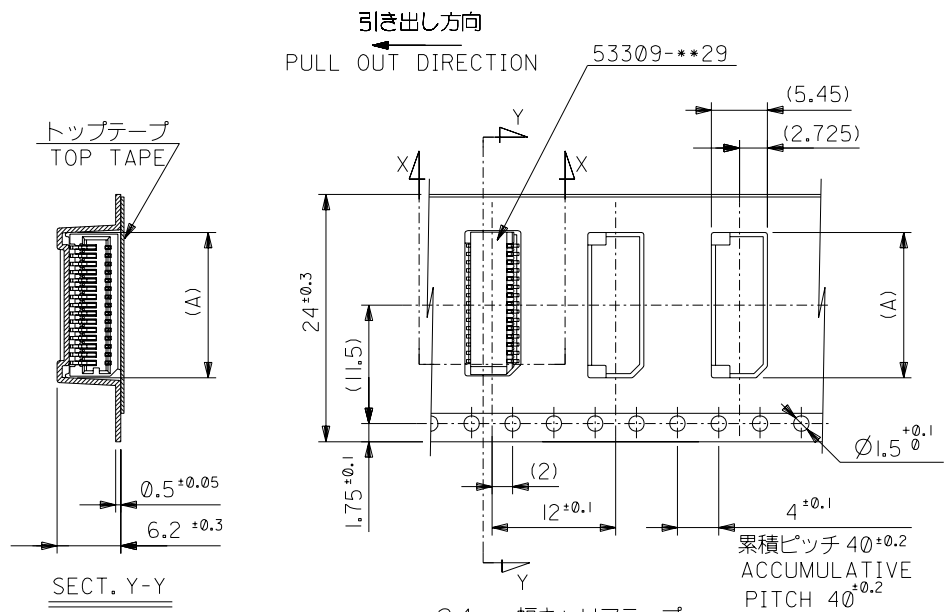
嵌合状態図 (参考)  
MATED DRAWING(REF.)



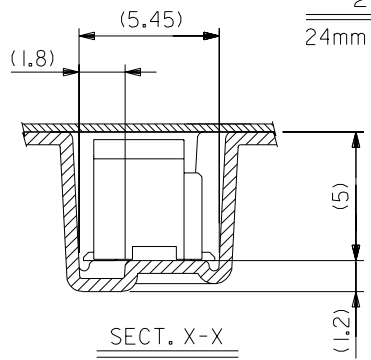
嵌合状態図 (参考)  
MATED DRAWING(REF.)

REVISED EC NO: J2007-3336 DRWN: YAMADA01 2007/06/06 CHKDK: TOYODA 2007/06/08 APPR: NUKITA 2007/06/08	GENERAL TOLERANCES (UNLESS SPECIFIED)		DIMENSION STYLE MM ONLY		SCALE ---	DESIGN UNITS METRIC	THIRD ANGLE PROJECTION	
	10 UNDER	±0.2	DRAWN BY M. NINOMIYA	DATE 2004/03/10	TITLE 0.8 B/B CONN. WAFER ASS'Y R/A SMT(WITHOUT BOSS) -LEAD FREE-			
	10 OVER 30 UNDER	±0.25	CHECKED BY K. TOJO	DATE 2004/03/10	MOLEX INCORPORATED			
	30 OVER	±0.3	APPROVED BY M. SASAO	DATE 2004/03/10	MATERIAL NO.		DOCUMENT NO.	SHEET NO.
	ANGULAR	±3 °	DRAFT WHERE APPLICABLE MUST REMAIN WITHIN DIMENSIONS		SEE SHEET 1		SD-53309-011	2 OF 2

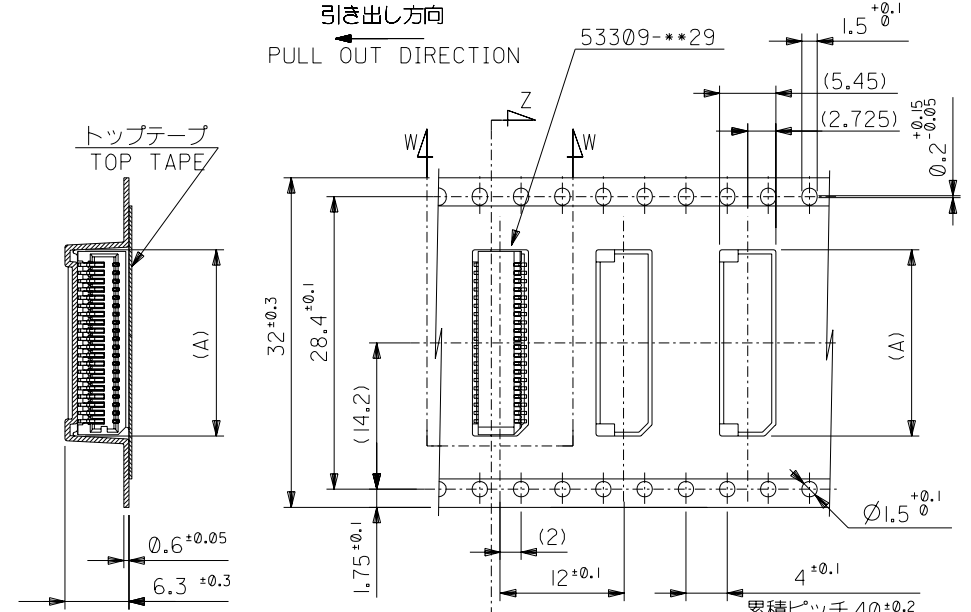




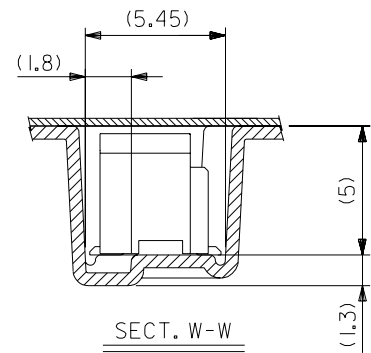
24mm幅キャリアテープ  
24mm WIDTH CARRIER TAPE



SECT. X-X



32mm幅キャリアテープ  
32mm WIDTH CARRIER TAPE



SECT. W-W

24	29.4	25.4	16.5	53309-3670	36
			15.7	53309-3470	34
			14.9	53309-3270	32
			14.1	53309-3070	30
			13.3	53309-2870	28
			12.5	53309-2670	26
			11.7	53309-2470	24
			10.9	53309-2270	22
10.1	53309-2070	20			
キャリアテープ幅 CARRIER TAPE WIDTH	C	B	(A)	MATERIAL NO.	極数 CIRCUIT

53309-***70		M.N.	
MODEL NO.		K.	
角度 ANGLE	+3°	DR.	日付 DATE
30以上 OVER	+0.3	CHK.	
10以上 30未満 UNDER	+0.25		
未満 10 UNDER	+0.2		
一般公差 GENERAL TOLERANCES	記号 LTR	変更内容 REVISION RECORD	新規作成 (J2004-2995) RELEASED

32	37.4	33.4	18.1	53309-4070	40
キャリアテープ幅 CARRIER TAPE WIDTH	C	B	(A)	53309-3870	38
				MATERIAL NO.	極数 CIRCUIT

材料 MATERIAL  
SHEET 1 OF 2 参照 REFER TO SHEET 1 OF 2

仕上げ FINISH //

適用電線範囲 WIRE RANGE //

被覆外径 INS. RANGE //

DRAWN BY 04/03/10 M.NINOMIYA  
CHK'D BY 04/03/10 K.TOJO

APP'D BY 04/03/10 M.SASAO

材料 M.OLEX-JAPAN CO.,LTD.  
日本モレックス株式会社

REVISE ONLY ON CAD SYSTEM

TITLE 名称  
0.8 BtB Wafer Assy  
RA SMT Without Boss  
Embstp Pkg  
-LEAD FREE-

DWG. NO. (SHEET 2 OF 2) REV 0  
SD-53309-012