

PLEASE CHECK WWW.MOLEX.COM FOR LATEST PART INFORMATION

Part Number: [0539160208](#)
Status: **Active**
Overview: [slimstack_050mm_020_pitch](#)
Description: 0.50mm (.020") Pitch SlimStack™ Plug, Surface Mount, Dual Row, Vertical, 4.00mm (.157") Stack Height, without Solder Tabs, 20 Circuits, without Vacuum Pick-up Tape

Documents:

[3D Model](#) [Product Specification PS-54167-002 \(PDF\)](#)
[Drawing \(PDF\)](#) [RoHS Certificate of Compliance \(PDF\)](#)

General

Product Family PCB Headers
 Series [53916](#)
 Application Board-to-Board
 Overview [slimstack_050mm_020_pitch](#)
 Product Name SlimStack™

Physical

Breakaway No
 Circuits (Loaded) 20
 Circuits (maximum) 20
 First Mate / Last Break No
 Glow-Wire Compliant No
 Guide to Mating Part No
 Keying to Mating Part None
 Lock to Mating Part None
 Mated Height (in) 0.157 In
 Mated Height (mm) 4.00 mm
 Material - Metal Brass
 Material - Plating Mating Gold
 Material - Plating Termination Gold
 Number of Rows 2
 Orientation Vertical
 PCB Locator No
 PCB Retention None
 Packaging Type Embossed Tape on Reel
 Pitch - Mating Interface (in) 0.020 In
 Pitch - Mating Interface (mm) 0.50 mm
 Plating min: Mating (µin) 10
 Plating min: Mating (µm) 0.25
 Plating min: Termination (µin) 4
 Plating min: Termination (µm) 0.1
 Polarized to PCB No
 Shrouded Fully
 Stackable No
 Temperature Range - Operating -40°C to +105°C
 Termination Interface: Style Surface Mount

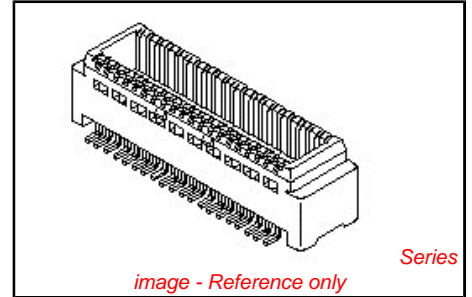
Electrical

Current - Maximum per Contact 0.5A
 Voltage - Maximum 50V

Material Info

Reference - Drawing Numbers

Product Specification PS-54167-002, RPS-52991-009, RPS-52991-014, RPS-52991-016



EU RoHS
ELV and RoHS
Compliant
REACH SVHC
Contains SVHC: No
Halogen-Free
Status
Not Reviewed



Need more information on product environmental compliance?

Email productcompliance@molex.com
 For a multiple part number RoHS Certificate of Compliance, [click here](#)

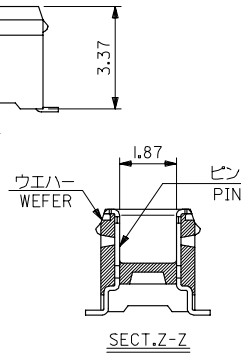
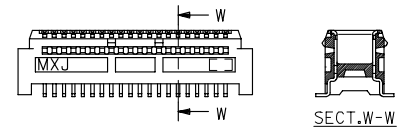
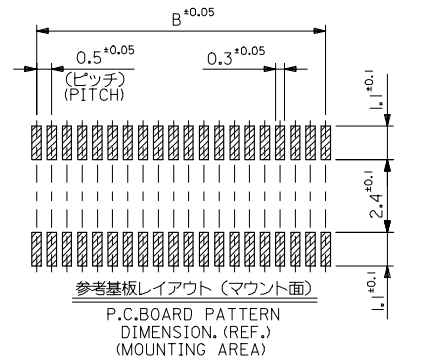
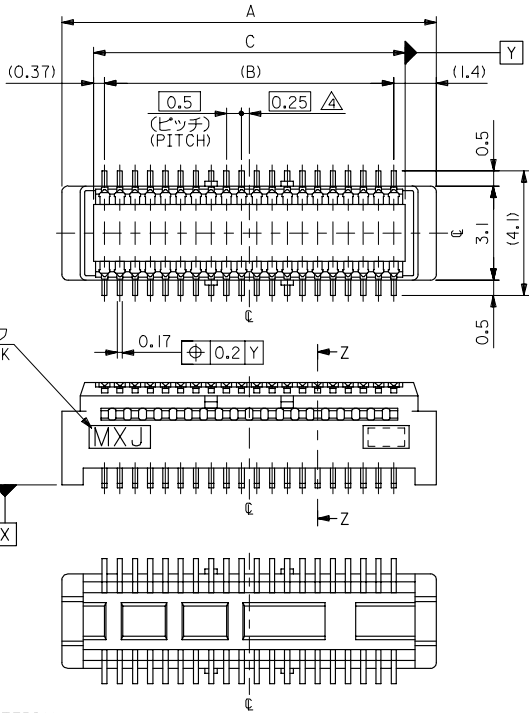
Please visit the [Contact Us](#) section for any non-product compliance questions.

Search Parts in this Series
[53916Series](#)

Mates With
[SlimStack™ Receptacle 52991](#) , [54167](#)

This document was generated on 05/26/2010

PLEASE CHECK WWW.MOLEX.COM FOR LATEST PART INFORMATION



60極品以上形状図
SHAPE OF OVER 60CKT.

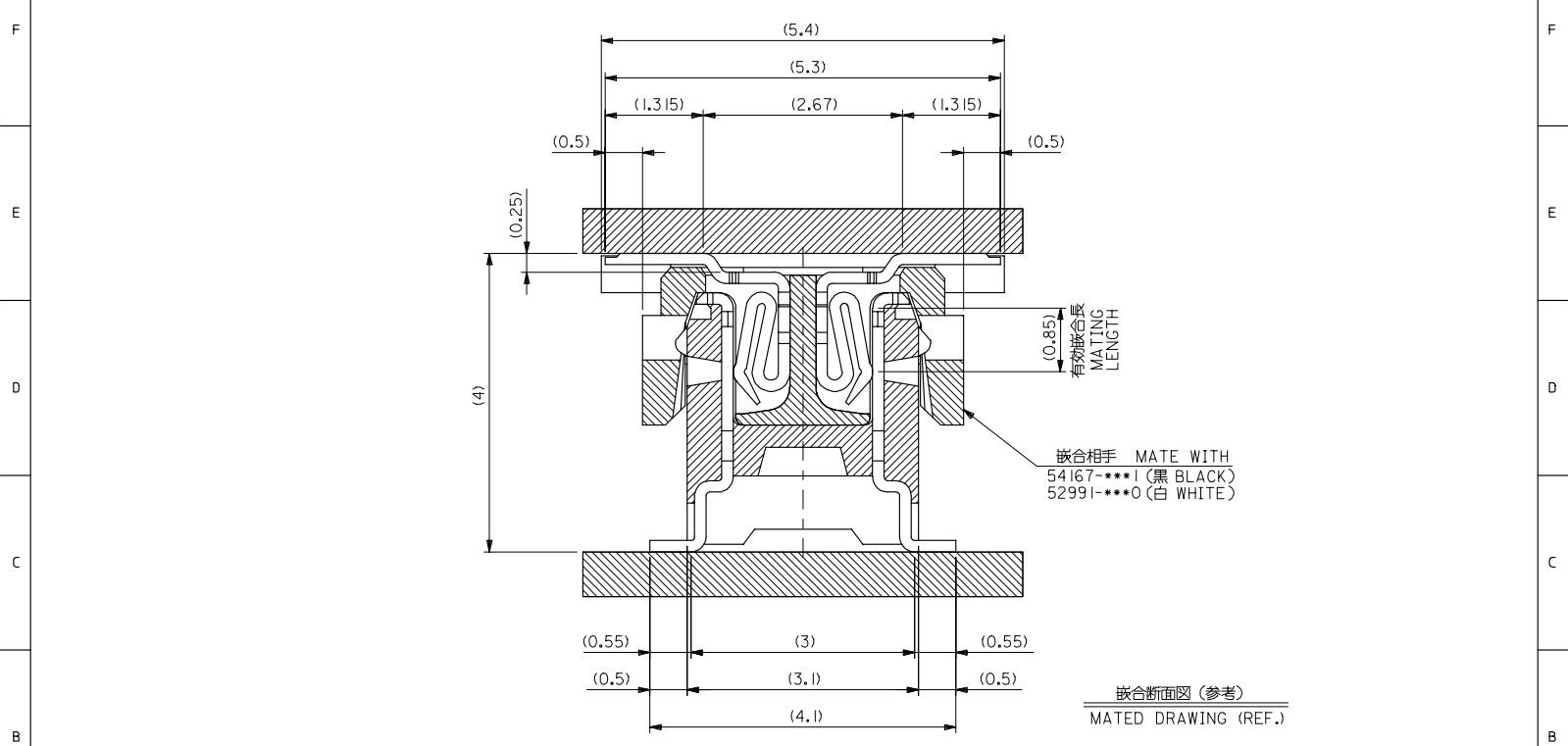
注記 NOTES:

1. 使用材料 MATERIAL
 ウエハー: LCPガラス入り (黒) UL94V-0
 WAFER: LCP(G.F.) (COLOR: BLACK), UL94V-0
 ピン: 黄銅 (t=0.15)
 PIN: BRASS (t=0.15)
 5 嵌合相手: 54167 シリーズ
 52991 シリーズ
 MATE WITH: 54167 SERIES.
 52991 SERIES.
 2. メッキ仕様 PLATING
 全体仕上げ: 金メッキ 0.1 MICROMETER MIN.
 ALL OVER: GOLD 0.1 MICROMETER MIN.
 下地メッキ: ニッケルメッキ 1.5 MICROMETER MIN.
 UNDER PLATING: NICKEL 1.5 MICROMETER MIN.
 3. 基準面 X からのソルダーテールの半田付け面のズレ量は、上方向 0、下方向 0.15MAX. とする。
 MISALIGNMENT OF SOLDER TAIL FROM X : UPPER DIRECTION 0, LOWER DIRECTION 0.15 MAX.
- △ (全極数/2) = 偶数の場合に適用。
 APPLY FOR (CIRCUIT/2) = EVEN.
- 6 テール平坦度は、0.1MAX.
 TAIL COPLANARITY TO BE 0.1MAX.

20.24	19.5	22.3	53916-0801	80
17.74	17.0	19.8	-0701	70
15.24	14.5	17.3	-0601	60
12.74	12.0	14.8	-0501	50
10.24	9.5	12.3	-0401	40
7.74	7.0	9.8	-0301	30
5.24	4.5	7.3	53916-0201	20

REVISED	EC NO. J2006-0604	2005/08/31	DRW:NAIDA	2005/09/01	CHK:KTYODA	2005/09/01	APP:NIKIITA	2005/09/09	DESCRIPTION	GENERAL TOLERANCES (UNLESS SPECIFIED)	DIMENSION STYLE	SCALE	DESIGN UNITS	THIRD ANGLE PROJECTION
									10 UNDER ±0.2	MM ONLY	---	METRIC		
									10 OVER 30 UNDER ±0.25	DRAWN BY	DATE	TITLE		
									30 OVER ±0.3	S. AIHARA	'96/11/28	0.5 B/B CONN PLUG ASSY (W/O BOSS, W/O NAIL) -LEAD FREE-		
									ANGULAR ±3 °	CHECKED BY	DATE			
									DRAFT WHERE APPLICABLE MUST REMAIN WITHIN DIMENSIONS	M. SASAO	'01/12/26			
										APPROVED BY	DATE			
										M. SASAO	'01/12/26			
										MATERIAL NO.	DOCUMENT NO.			
										SEE CHART	SD-53916-001			
										THIS DRAWING CONTAINS INFORMATION THAT IS PROPRIETARY TO MOLEX INCORPORATED AND SHOULD NOT BE USED WITHOUT WRITTEN PERMISSION				
														SHEET NO. 1 OF 2

10 9 8 7 6 5 4 3 2 1



REVISED		GENERAL TOLERANCES (UNLESS SPECIFIED)		DIMENSION STYLE		SCALE		DESIGN UNITS		MODEL NO.	
IEC NO. J2006-0604		± ---		MM ONLY		---		METRIC		53916-***1	
DRAWN BY S. AIHARA		10 UNDER		DRAWN BY S. AIHARA		DATE '96/11/28		THIRD ANGLE PROJECTION		MODEL NO.	
CHKD BY M. SASAO		10 OVER 30 UNDER		CHECKED BY M. SASAO		DATE '01/12/26		TITLE		0.5 B/B CONN PLUG ASSY (W/O BOSS, W/O NAIL) -LEAD FREE-	
APPR. BY M. SASAO		30 OVER		APPROVED BY M. SASAO		DATE '01/12/26		MOLEX INCORPORATED		SHEET NO. 2 OF 2	
DESCRIPTION		ANGULAR ± --- °		MATERIAL NO.		SEE CHART		DOCUMENT NO.		SD-53916-001	
DRAFT WHERE APPLICABLE MUST REMAIN WITHIN DIMENSIONS		SIZE A3		THIS DRAWING CONTAINS INFORMATION THAT IS PROPRIETARY TO MOLEX INCORPORATED AND SHOULD NOT BE USED WITHOUT WRITTEN PERMISSION							

tb_frame_A3_1_ME_S Rev. D 2004/04/02

9 8 7 6 5 4 3 2 1 EN-02JA(021)

10 9 8 7 6 5 4 3 2 1

F

E

D

C

B

A

F

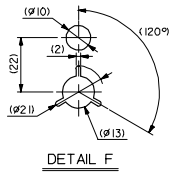
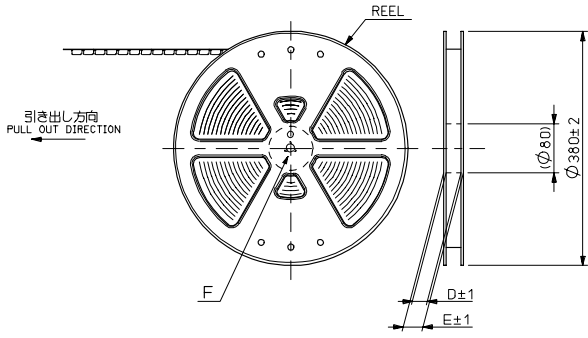
E

D

C

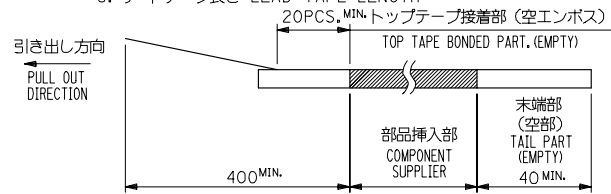
B

A

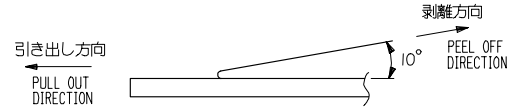


NOTES

- 製品詳細寸法については図面 SD-53916-001 を参照下さい。
RE DETAILED DIMENSION, SEE SD-53916-001
- 梱包数量: 1500個/リール
NUMBER OF CONNECTORS: 1500PCS/REEL
- リードテープ長さ LEAD TAPE LENGTH



- トップテープの剥離強度: 0.1N~1.3N (10gf~130gf) (剥離方向は下図参照) 尚、本規格値は出荷時に適用。(但し、輸送時に剥離が発生しないこと。)
PEELING OFF FORCE OF TOP TAPE: 0.1N~1.3N (10gf~130gf) (PEELING DIRECTION AS SHOWN IN FOLLOWING FIG.) THIS REQUIREMENT SHOULD BE APPLIED AT SHIPMENT. PEEL OFF SHOULD NOT BE ALLOWED, DURING TRANSPORTATION.



- 材料 (MATERIAL)
キャリアテープ (CARRIER TAPE): ポリプロピレン (POLYPROPYLENE)
トップテープ (TOP TAPE): PET, PE, PEF
リール (REEL): ポリスチレン (P.S.) <リサイクル材を含む>
POLYSTYRENE (P.S.) <RECYCLE MATERIAL CONTAINED>

53916-***8 MODEL NO.

REVISED IEC NO: J2006-0604 DRW: NAITA 2005/08/31 CHK: KTOYODA 2005/09/01 APPR: NUKITA 2005/09/09	GENERAL TOLERANCES (UNLESS SPECIFIED)		DIMENSION STYLE MM ONLY		SCALE ---	DESIGN UNITS METRIC	THIRD ANGLE PROJECTION
	10 UNDER	± 0.2	DRAWN BY S. AIHARA	DATE '96/11/27	TITLE 0.5 B/B CONN PLUG ASSY EMBSTP PKG -LEAD FREE-		
	10 OVER 30 UNDER	± 0.25	CHECKED BY T. ITO	DATE '01/01/26			
	30 OVER	± 0.3	APPROVED BY M. FUKUSHIMA	DATE '01/01/26	MOLEX INCORPORATED		
	ANGULAR	± 3 °	MATERIAL NO. SEE CHART				
DRAFT WHERE APPLICABLE MUST REMAIN WITHIN DIMENSIONS		THIS DRAWING CONTAINS INFORMATION THAT IS PROPRIETARY TO MOLEX INCORPORATED AND SHOULD NOT BE USED WITHOUT WRITTEN PERMISSION					

9

8

7

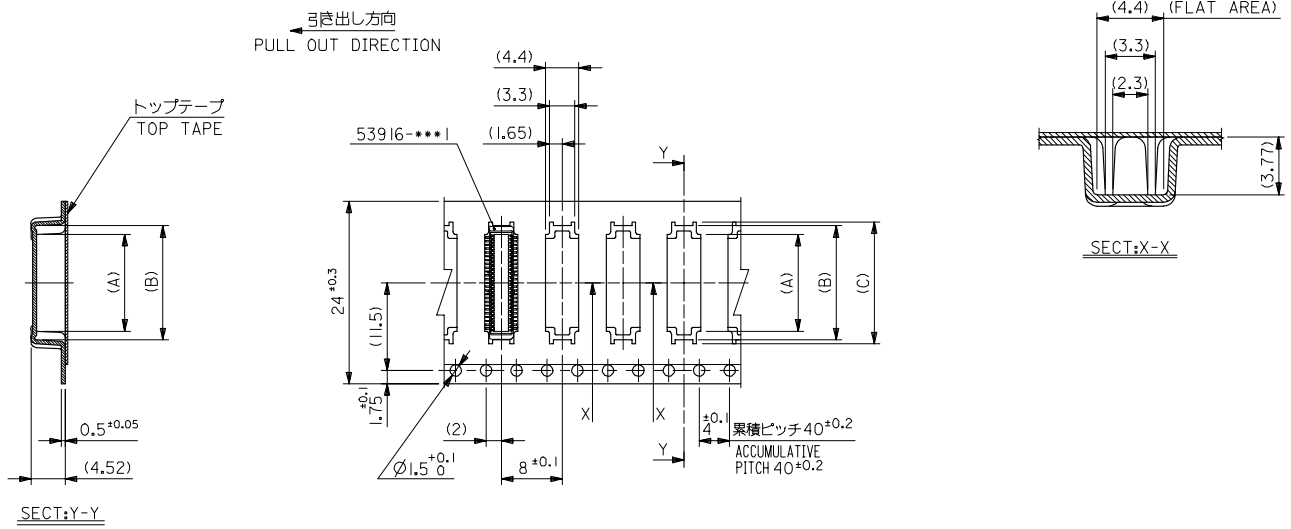
6

5

4

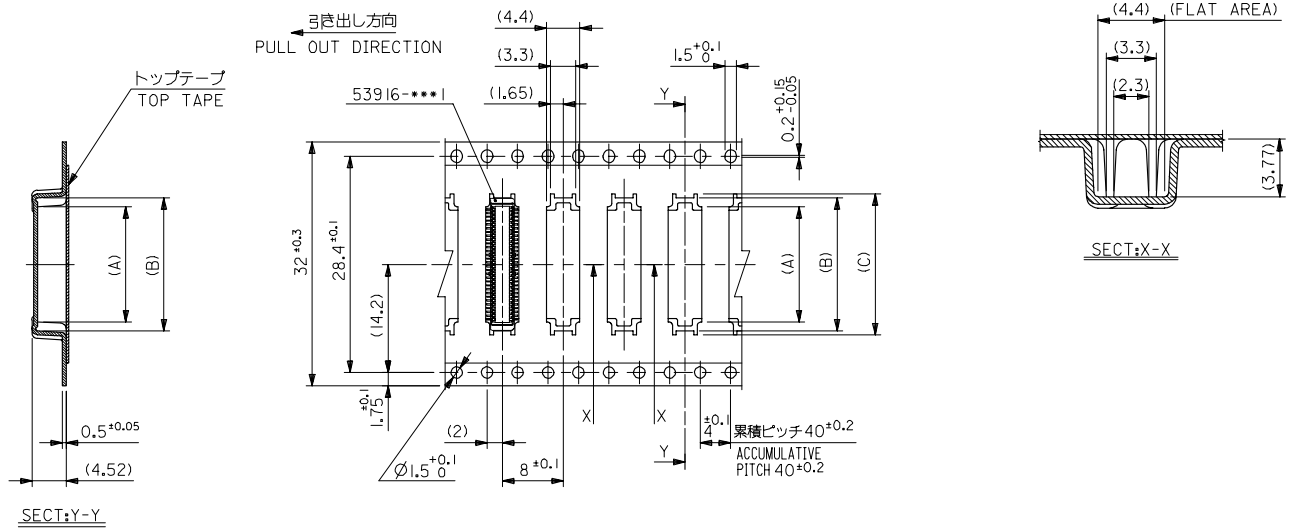
3

2



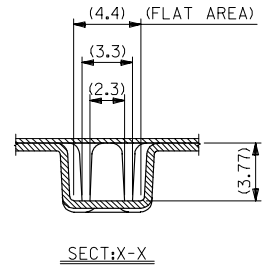
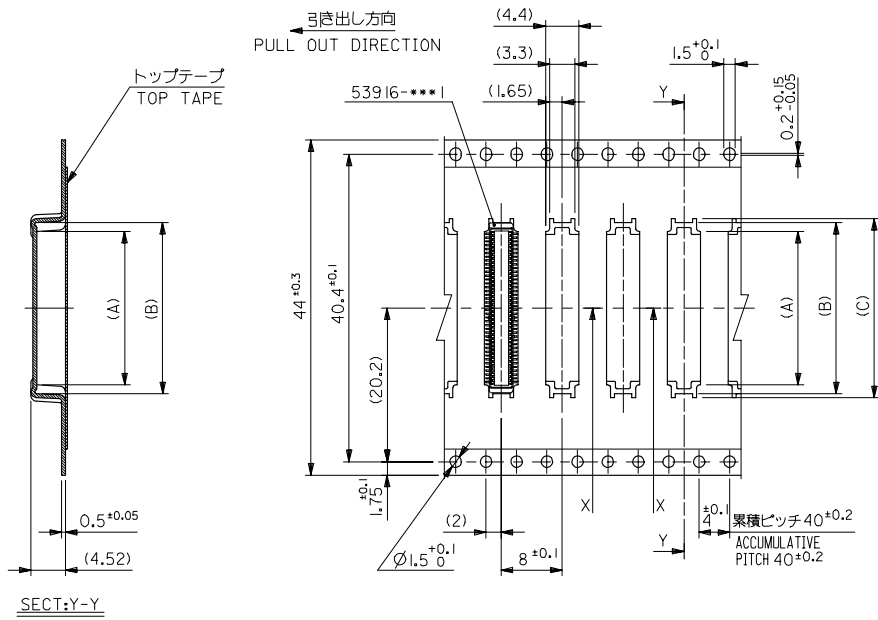
24mm幅キャリアテープ
24mm WIDTH CARRIER TAPE

REVISED EC NO. J2006-0604 DRAWN BY DR. NAITA CHKD BY CHIKAKI YODA APPR. BY NAKITA	DESCRIPTION 2005/08/31 2005/09/01 2005/09/09	53916-***8	MODEL NO.	キャリアテープ幅 CARRIER TAPE WIDTH	24	29.4	25.4	16	15	12.67	53916-0508	50
		10 UNDER	± ---	DRAWN BY	S. AIHARA	DATE	'96/11/27	3.5	12.5	10.17	53916-0408	40
		10 OVER 30 UNDER	± ---	CHECKED BY	T. ITO	DATE	'01/01/26	11	10	7.67	53916-0308	30
		30 OVER	± ---	APPROVED BY	M. FUKUSHIMA	DATE	'01/01/26	8.5	7.5	5.17	53916-0208	20
GENERAL TOLERANCES (UNLESS SPECIFIED)		DIMENSION STYLE MM ONLY		SCALE	---		DESIGN UNITS METRIC	THIRD ANGLE PROJECTION				
ANGULAR ± --- °		DRAFT WHERE APPLICABLE MUST REMAIN WITHIN DIMENSIONS		MATERIAL NO.		SEE CHART		DOCUMENT NO.		SD-53916-002		
SIZE A3		THIS DRAWING CONTAINS INFORMATION THAT IS PROPRIETARY TO MOLEX INCORPORATED AND SHOULD NOT BE USED WITHOUT WRITTEN PERMISSION										



32mm幅キャリアテープ
32mm WIDTH CARRIER TAPE

REVISED REV. G	EC NO. J2006-0604	2005/08/31	2005/09/01	2005/09/09	53916-***8	MODEL NO.	32	37.4	33.4	18.5	17.5	15.17	53916-0608	60
	DRW:NAIDA	CHK:KTYODA	APP:NIKITA	DESCRIPTION	GENERAL TOLERANCES (UNLESS SPECIFIED)	DIMENSION STYLE	MM ONLY	SCALE	---	DESIGN UNITS	METRIC	THIRD ANGLE PROJECTION	MATERIAL NO.	種数 CIRCUIT
	10 UNDER	± ---	10 OVER	30 UNDER	± ---	30 OVER	± ---	ANGULAR	± --- °	DRAFT WHERE APPLICABLE MUST REMAIN WITHIN DIMENSIONS	DRAWN BY	T. YASUI	DATE	'97/05/14
						CHECKED BY	T. ITO	DATE	'01/01/26	APPROVED BY	M. FUKUSHIMA	DATE	'01/01/26	TITLE
					MATERIAL NO.	SEE CHART	DOCUMENT NO.	SD-53916-002	MOLEX INCORPORATED		SHEET NO.		3 OF 4	
THIS DRAWING CONTAINS INFORMATION THAT IS PROPRIETARY TO MOLEX INCORPORATED AND SHOULD NOT BE USED WITHOUT WRITTEN PERMISSION														



44mm幅キャリアテープ
44mm WIDTH CARRIER TAPE

REVISED	EC NO. J2006-0604	2005/08/31	2005/09/01	2005/09/09	DRW:NAIDA	CHK:KTOYODA	APP:NIKIITA	DESCRIPTION	53916-***8	MODEL NO.	44	49.4	45.4	23.5	22.5	20.17	53916-0808	80	
								GENERAL TOLERANCES (UNLESS SPECIFIED)			キャリアテープ幅 CARRIER TAPE WIDTH	E	D	(C)	(B)	(A)	MATERIAL NO.	種数 CIRCUIT	
								10 UNDER ±---			DIMENSION STYLE MM ONLY		SCALE ---		DESIGN UNITS METRIC		THIRD ANGLE PROJECTION		
								10 OVER 30 UNDER ±---			DRAWN BY S. AIHARA		DATE '98/10/23		TITLE 0.5 B/B CONN PLUG ASSY EMBSTP PKG -LEAD FREE-				
								30 OVER ±---			CHECKED BY T. ITO		DATE '01/01/26		MOLEX INCORPORATED				
								ANGULAR ±--- °			APPROVED BY M. FUKUSHIMA		DATE '01/01/26		DOCUMENT NO. SD-53916-002				
								DRAFT WHERE APPLICABLE MUST REMAIN WITHIN DIMENSIONS			MATERIAL NO. SEE CHART		DOCUMENT NO. SD-53916-002		SHEET NO. 4 OF 4				
											THIS DRAWING CONTAINS INFORMATION THAT IS PROPRIETARY TO MOLEX INCORPORATED AND SHOULD NOT BE USED WITHOUT WRITTEN PERMISSION								