

**PLEASE CHECK WWW.MOLEX.COM FOR LATEST PART INFORMATION**

**Part Number:** [53927-5078](#)  
**Status:** **Active**  
**Description:** 1.27mm Pitch CF Card Header - Right Angle, SMT Reverse Mounting For Type I Cards, Embossed Tape Packaging, Lead-Free

**Documents:**

[3D Model](#) [Product Specification PS-55022-004 \(PDF\)](#)  
[Drawing \(PDF\)](#) [RoHS Certificate of Compliance \(PDF\)](#)

**General**

Product Family	Memory Card Sockets
Series	<a href="#">53927</a>
Component Type	Header/Socket (Host)
Product Name	CompactFlash
Style	Guide and Holder
Type	I

**Physical**

Card Detection Switch	N/A
Circuits (Loaded)	50
Color - Resin	Natural
Durability (mating cycles max)	10,000
Ejector Button	No
Ejector Button Side	N/A
Entry Angle	90° Angle (Side Entry)
Keying to Mating Part	Yes
Material - Metal	Phosphor Bronze
Material - Resin	High Temperature Thermoplastic
PCB Mounting Side	Reverse
PCB Retention	Yes
Packaging Type	Embossed Tape on Reel
Pitch - Mating Interface	1.27mm
Ports	1
Temperature Range - Operating	-20°C to +90°C
Termination Interface: Style	Surface Mount

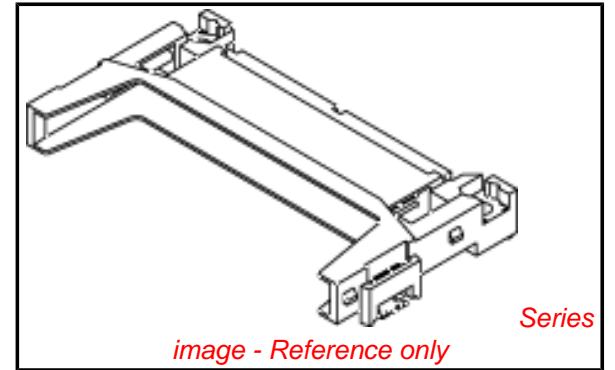
**Electrical**

Current - Maximum per Contact	0.5A
Voltage - Maximum	100V AC
Voltage Key	3.3V, 5.0V

**Material Info**

**Reference - Drawing Numbers**

Product Specification	PS-55022-004
Sales Drawing	SD-53927-001, SD-53927-002



**EU RoHS**

**ELV and RoHS Compliant**  
**REACH SVHC**  
**Contains SVHC: No**  
**Low-Halogen Status**  
**Low-Halogen**

**China RoHS**



**Need more information on product environmental compliance?**

Email [productcompliance@molex.com](mailto:productcompliance@molex.com)  
 For a multiple part number RoHS Certificate of Compliance, [click here](#)

Please visit the [Contact Us](#) section for any non-product compliance questions.

**Search Parts in this Series**  
[53927Series](#)

**Mates With**  
[67003](#) , [67114](#) , Industry Standard CF Card

**Use With**  
[55021](#) , [55022](#)