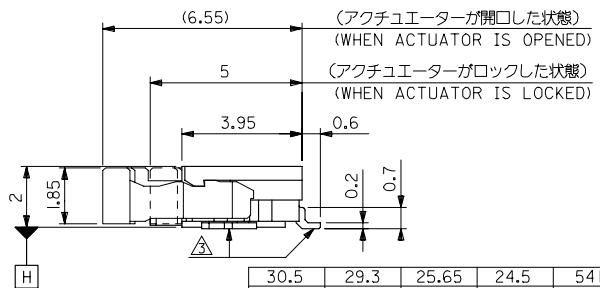
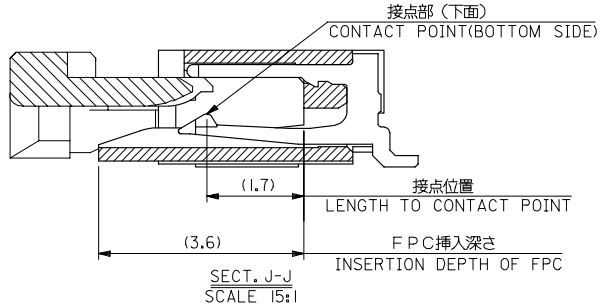
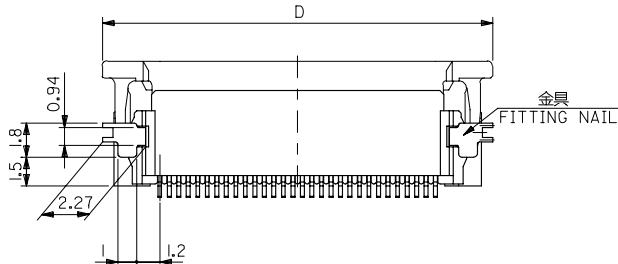
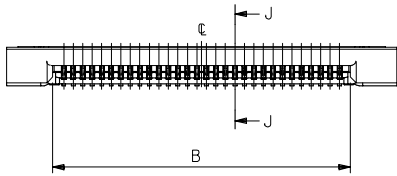
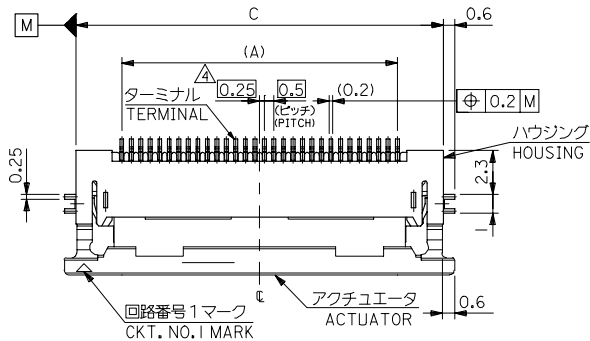
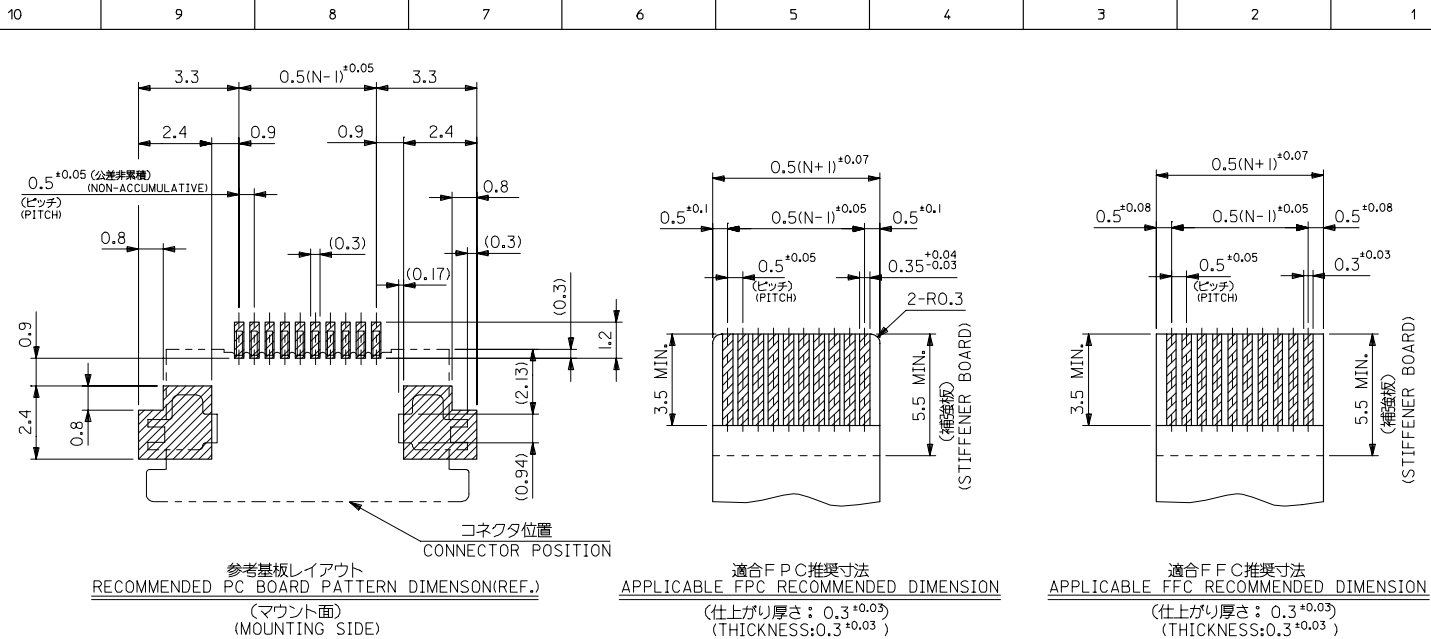


10 9 8 7 6 5 4 3 2 1



30.5	29.3	25.65	24.5	54132-5031	50
28.0	26.8	23.15	22.0	-4531	45
27.0	25.8	22.15	21.0	-4331	43
25.5	24.3	20.65	19.5	-4031	40
24.5	23.3	19.65	18.5	-3831	38
23.5	22.3	18.65	17.5	-3631	36
23.0	21.8	18.15	17.0	-3531	35
22.5	21.3	17.65	16.5	-3431	34
22.0	20.8	17.15	16.0	-3331	33
21.5	20.3	16.65	15.5	-3231	32
20.5	19.3	15.65	14.5	54132-3031	30
D	C	B	A	MATERIAL NO.	CKT.

REVISED EC NO. J2006-2797 DRW:HNABEI CHK:KTOYODA APP:NIKIITA	DESCRIPTION 2006/03/07 2006/03/10 2006/03/17	GENERAL TOLERANCES (UNLESS SPECIFIED)		DIMENSION STYLE MM ONLY		SCALE ---	DESIGN UNITS METRIC	54132-***31 MODEL NO.		
		10 UNDER	±0.2	DRAWN BY K. KOHAMA	DATE '00/09/13	TITLE 0.5 FPC CONN. ZIF HOUSING ASSY FOR SMT. (R/A)BOTTOM CONTACT				
		10 OVER 30 UNDER	±0.25	CHECKED BY S. KUNISHI	DATE '00/09/13	MOLEX MOLEX INCORPORATED				
		30 OVER	±0.3	APPROVED BY M. FUKUSHIMA	DATE '00/09/13	DOCUMENT NO. SD-54132-011				
ANGULAR ±3 °		DRAFT WHERE APPLICABLE MUST REMAIN WITHIN DIMENSIONS		MATERIAL NO. SEE CHART		SHEET NO. 1 OF 2		EN-02JA(021)		



注記
NOTES

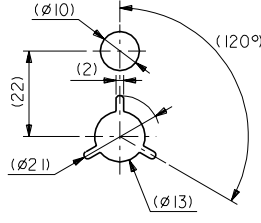
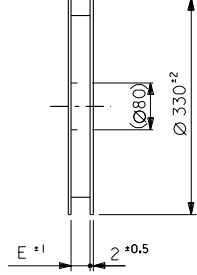
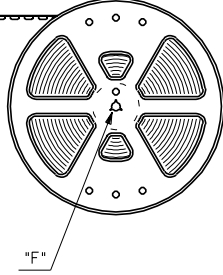
1. 使用材料
MATERIAL
ハウジング
HOUSING : 46ナイロン, UL94V-0
: 46NYLON
アクチュエーター
ACTUATOR : PPS, UL94V-0
ターミナル
TERMINAL : リン青銅, 半田メッキ (t=0.2)
: PHOS-BRO, TIN-LEAD PLATED
金具
FITTING NAIL : リン青銅, 半田メッキ (t=0.2)
: PHOS-BRO, TIN-LEAD PLATED
 2. エンボステープ梱包時は、アクチュエーターがロックした状態とする。
IN THE PACKAGE, ACTUATOR OF PART NO.54132-***31 SHOULD BE LOCKED.
- △ ソルダータール半田付け面のズレ量、及び金具半田付け面のズレ量は、基準面 □ に対し上方向0.1MAX. 下方向0.15MAX. とする。
MISALIGNMENT OF SOLDER TAILS AND FITTING NAIL FROM □ UPPER DIRECTION: 0.1 MAX., LOWER DIRECTION: 0.15 MAX.
- △ 偶数極に適用
APPLY FOR EVEN CIRCUIT.
- △ パターンはくり止め用金具
FITTING NAIL FOR PREVENTION OF PEELING OF P.C.B. PATTERN.

FPC/FFCについて
打抜き方向は導体側から補強板側を推奨いたします。
導体部については軟銅箔35マイクロメートルまたは50マイクロメートルメッキ厚 3~9マイクロメートル 鍍または半田メッキ (電気メッキ)
RECOMMENDED PUNCHER DIRECTION:
FROM CONDUCTOR SIDE TO STIFFENER BOARD SIDE.
RECOMMENDED CONDUCTOR SPEC.:
THICKNESS OF SOFT COPPER FOIL:
35 micrometer or 50 micrometer
TIN OR SOLDER PLATING:
3~9 micrometer (ELECTRICAL PLATING)

REVISED EC NO. J2006-2797 DRAWN: NABEI CHK: KATOYODA APP: NUKITA	2006/03/07	2006/03/10	2006/03/17	DESCRIPTION	GENERAL TOLERANCES (UNLESS SPECIFIED)	DIMENSION STYLE MM ONLY	SCALE ---	54132-***31	MODEL NO.		
	10 UNDER	±0.2	10 OVER 30 UNDER		±0.25	30 OVER	±0.3	ANGULAR	±3 °	DRAFT WHERE APPLICABLE MUST REMAIN WITHIN DIMENSIONS	
	DRAWN BY K. KOHAMA		DATE '00/09/13		CHECKED BY S. KUNISHI		DATE '00/09/13		APPROVED BY M. FUKUSHIMA		
	DATE '00/09/13		DATE '00/09/13		DATE '00/09/13		DATE '00/09/13		DATE '00/09/13		
A					SEE CHART	MATERIAL NO.	DOCUMENT NO. SD-54132-011	SHEET NO. 2 OF 2			
A					THIS DRAWING CONTAINS INFORMATION THAT IS PROPRIETARY TO MOLEX INCORPORATED AND SHOULD NOT BE USED WITHOUT WRITTEN PERMISSION						

DWG. NO. SD-54132-012

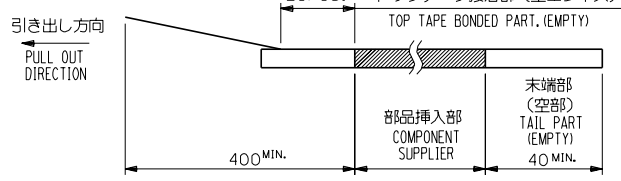
引き出し方向
PULL OUT DIRECTION



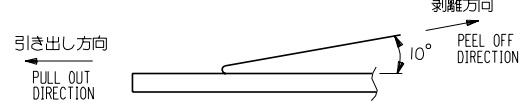
DETAIL "F"

NOTES

- 梱包数量: 1500個/リール
NUMBER OF CONNECTORS: 1500PCS/REEL
- リードテープ長さ LEAD TAPE LENGTH



- トップテープの剥離強度: 0.1N ~ 0.7N(10.2gf ~ 71.4gf)
(剥離方向は下図参照)
尚、本規格値は出荷時に適用。(但し、輸送時に剥離が発生しないこと。)
PEELING OFF FORCE OF TOP TAPE: 0.1N ~ 0.7N(10.2gf ~ 71.4gf)
(PEELING DIRECTION AS SHOWN IN FOLLOWING FIG.)
THIS REQUIREMENT SHOULD BE APPLIED AT SHIPMENT.
PEEL OFF SHOULD NOT BE ALLOWED, DURING TRANSPORTATION.



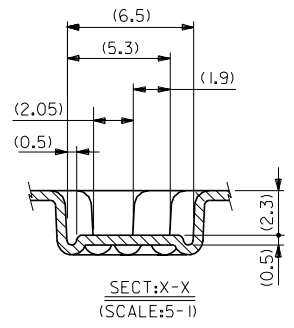
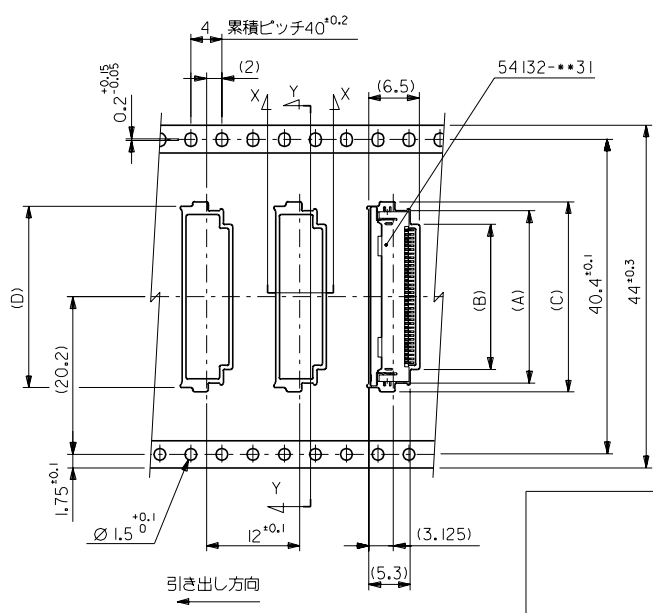
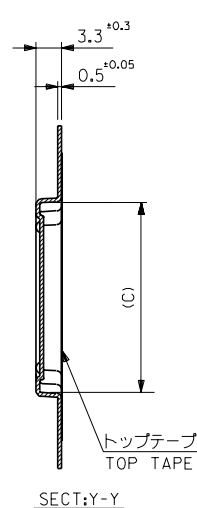
- 材料
キャリアテープ: ポリプロピレン (PP)
トップテープ: PET, PE, PEF
リール: ポリスチレン (PS) <リサイクル材を含む>

MATERIAL CARRIER TAPE: POLYPROPYLENE
TOP TAPE: PET, PE, PEF
REEL: POLYSTYRENE (PS)
<RECYCLE MATERIAL CONTAINED>

DO NOT SCALE DRAWING

EC NO. DRWN: K.KOHAMA CHK: S.KUNISHI APPR: M.FUKUSHIMA		REVISED EC NO. JC2001-0487 DRWN: K.KOHAMA CHK: S.KUNISHI APPR: M.FUKUSHIMA		RELEASED EC NO. JC2001-0171 DRWN: K.KOHAMA CHK: S.KUNISHI APPR: M.FUKUSHIMA		MATERIAL 材料 注記参照 SEE NOTES		GENERAL TOLERANCES: (UNLESS SPECIFIED) 一般公差		SCALE 2:1		DESIGN UNITS <input checked="" type="checkbox"/> mm <input type="checkbox"/> INCH		THIRD ANGLE PROJECTION <input type="checkbox"/> mm <input type="checkbox"/> INCH <input checked="" type="checkbox"/> mm ONLY		SHT REV	
FINISH 仕上り //		WIRE RANGE 適用電線範囲 //		INS. RANGE 被覆外径 //		10 UNDER 未満 +0.2		DRAWN BY & DATE K.KOHAMA 00/09/13		CHECKED BY & DATE S.KUNISHI 00/12/22		APPROVED BY & DATE M.FUKUSHIMA 00/12/22		CAD FILENAME 54132012.S01		MATERIAL NO. 54132-**92	
TITLE: EMBOSSED TAPE PACKAGE FOR 0.5 FPC CONN. ZIF		MATERIAL CARRIER TAPE: POLYPROPYLENE TOP TAPE: PET, PE, PEF REEL: POLYSTYRENE (PS) <RECYCLE MATERIAL CONTAINED>		MATERIAL NO. 54132-**92		DRAWING NO. SD-54132-012		SHEET NO. 1 OF 2		SIZE B		EN-02(J1097) MXJ-54		100-2012.S01		54132012.S01	

DWG. NO. SD-54132-012



44	45.5	30.8	31.6	26.1	29.6	54132-5092	50	
		28.3	29.4	23.6	27.1	-4592	45	
		27.3	28.4	22.6	26.1	-4392	43	
		25.8	26.9	21.1	24.6	-4092	40	
		24.8	25.9	20.1	23.6	-3892	38	
		23.8	24.9	19.1	22.6	-3692	36	
		23.3	24.4	18.6	22.1	-3592	35	
		22.8	23.9	18.1	21.6	-3492	34	
		22.3	23.4	17.6	21.1	-3392	33	
		21.8	22.9	17.1	20.6	-3292	32	
20.8	21.9	16.1	19.6	54132-3092	30			
キャリアテープ幅 CARRIER TAPE WIDTH		E	D	C	B	A	ENG. NO.	CKT.

DO NOT SCALE DRAWING

EC NO. DRWN: CHK: APPR:	EC NO. DRWN: CHK: APPR:	EC NO. DRWN: CHK: APPR:	REVISED EC NO. JC2001-0487 DRWN: K.KOHAMA 00/02/22 CHK: S.KUNISHI 00/02/22 APPR: M.FUKUSHIMA 00/02/22	RELEASED EC NO. JC2001-0171 DRWN: K.KOHAMA 00/09/13 CHK: S.KUNISHI 00/09/13 APPR: M.FUKUSHIMA 00/09/13	MATERIAL 材料 SHEET 1 OF 2 参照 REFER TO SHEET 1 OF 2	GENERAL TOLERANCES: (UNLESS SPECIFIED) 一般公差	SCALE 2:1	DESIGN UNITS <input checked="" type="checkbox"/> mm <input type="checkbox"/> INCH	THIRD ANGLE PROJECTION <input type="checkbox"/> mm <input type="checkbox"/> INCH <input checked="" type="checkbox"/> mm ONLY	SHT REVISE ON CAD ONLY	
					FINISH 仕上り	10 UNDER 未満	DRAWN BY & DATE K.KOHAMA 00/09/13	TITLE: EMBOSSD TAPE PACKAGE FOR 0.5 FPC CONN. ZIF			
					WIRE RANGE 適用電線範囲	10 OVER 以上	CHECKED BY & DATE S.KUNISHI 00/12/22	MOLEX INCORPORATED			
					INS. RANGE 被覆外径	30 OVER 以上	APPROVED BY & DATE M.FUKUSHIMA 00/12/22	CAD FILENAME 54132012.S02	MATERIAL NO. 54132-***92	DRAWING NO. SD-54132-012	SHEET NO. 2 OF 2
						ANGLE 角度		THIS DRAWING CONTAINS INFORMATION THAT IS PROPRIETARY TO MOLEX INCORPORATED AND SHOULD NOT BE USED WITHOUT WRITTEN PERMISSION.			
										EN-02(J1097) MXJ-54	