

DWG. NO. SD-54132-011

F

D

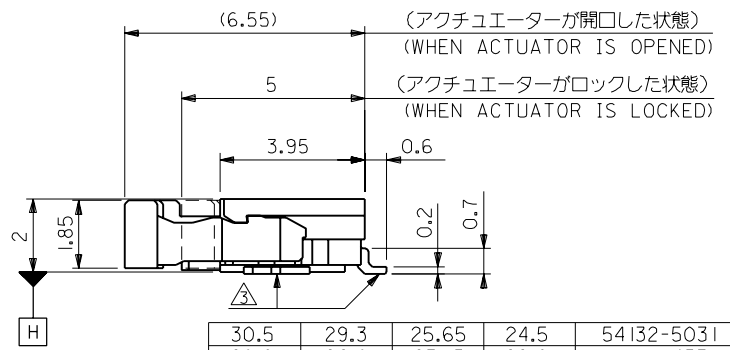
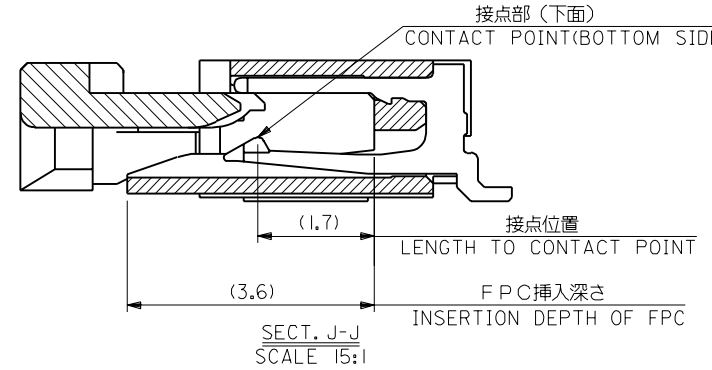
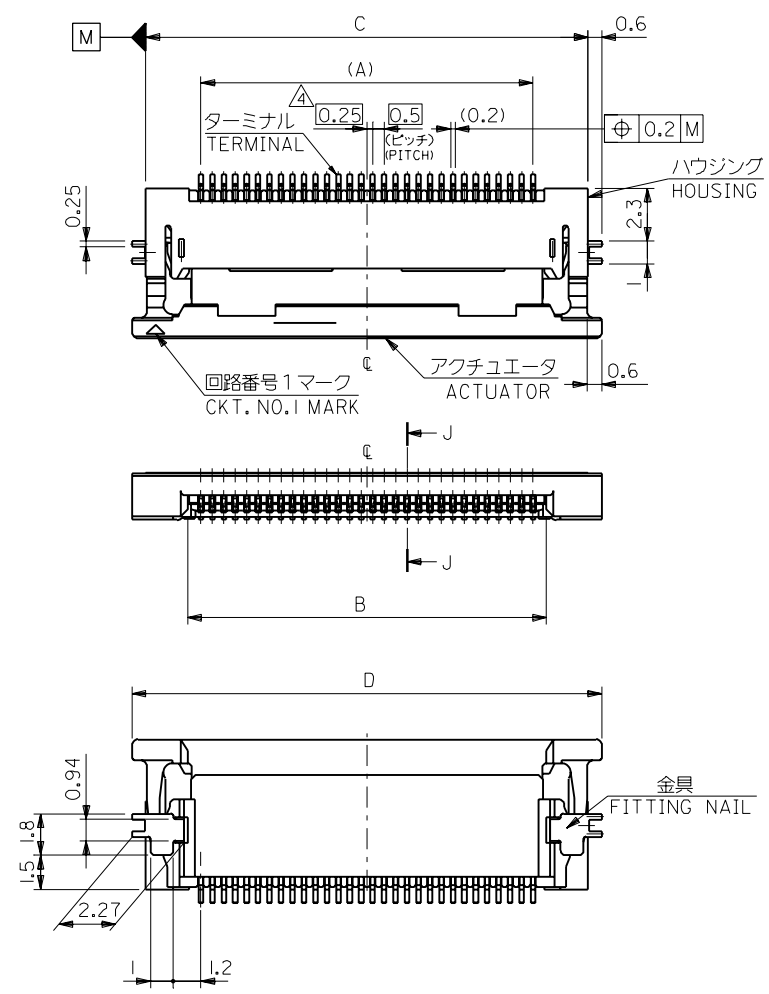
V

C

B

DO NOT SCALE DRAWING

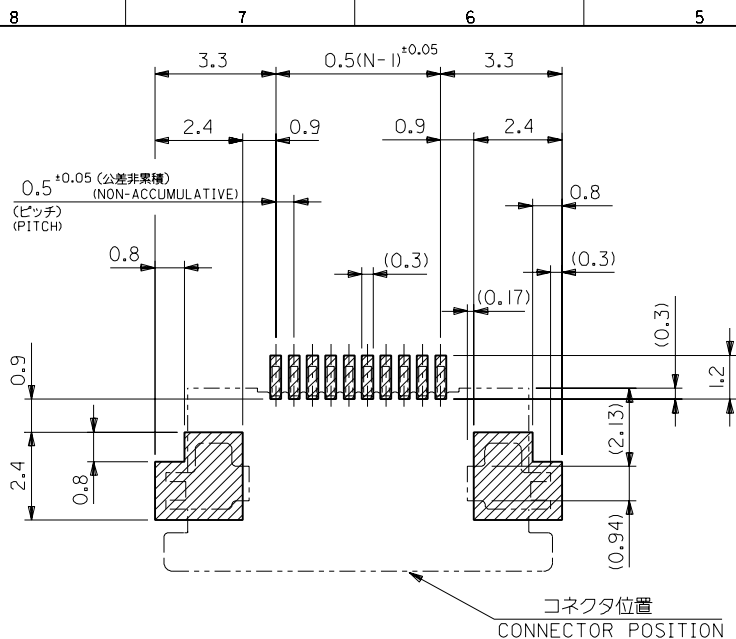
EC NO. DRWN: CHK: APPR:	EC NO. DRWN: CHK: APPR:	EC NO. DRWN: CHK: APPR:	EC NO. DRWN: CHK: APPR:	EC NO. DRWN: CHK: APPR:	EC NO. JC200 I-0171 DRWN: K.KOHAMA 00/09/13 CHK: S.KUNISHI 00/09/13 APPR: M.FUKUSHIMA 00/09/13	REV DESCRIPTION	MATERIAL 材料	GENERAL TOLERANCES: (UNLESS SPECIFIED) 一般公差	SCALE ---	DESIGN UNITS <input checked="" type="checkbox"/> mm <input type="checkbox"/> INCH	THIRD ANGLE PROJECTION	DIMENSIONS: <input type="checkbox"/> mm <input type="checkbox"/> INCH <input checked="" type="checkbox"/> mm ONLY	SHT REV			
					RELEASED		SHEET 2 OF 2 参照 SEE SHEET 2 OF 2	10 UNDER 未満	+0.2	DRAWN BY & DATE K.KOHAMA 00/09/13	TITLE: 0.5 FPC CONN, ZIF HOUSING ASS'Y FOR SMT. (R/A) BOTTOM CONTACT	MOLEX INCORPORATED	SHEET NO. 1 OF 2			
					FINISH 仕上り		10 OVER 以上	+0.25	CHECKED BY & DATE S.KUNISHI 00/09/13	CAD FILENAME 54132011.S01				MATERIAL NO. 54132-**31	DRAWING NO. SD-54132-011	SIZE B
					WIRE RANGE 適用線径範囲		30 OVER 以上	+0.3	APPROVED BY & DATE M.FUKUSHIMA 00/09/13							
					INS. RANGE 被覆外径		ANGLE 角度	+3°				EN-02J(097) MXJ-54				



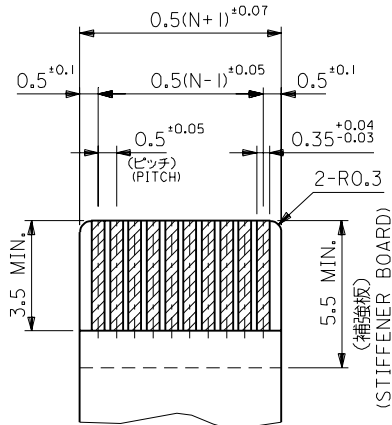
30.5	29.3	25.65	24.5	54132-5031	50
28.0	26.8	23.15	22.0	-4531	45
27.0	25.8	22.15	21.0	-4331	43
25.5	24.3	20.65	19.5	-4031	40
24.5	23.3	19.65	18.5	-3831	38
23.5	22.3	18.65	17.5	-3631	36
23.0	21.8	18.15	17.0	-3531	35
22.5	21.3	17.65	16.5	-3431	34
22.0	20.8	17.15	16.0	-3331	33
21.5	20.3	16.65	15.5	-3231	32
20.5	19.3	15.65	14.5	54132-3031	30
D	C	B	A	ENG. NO.	CKT.

54132011.S01

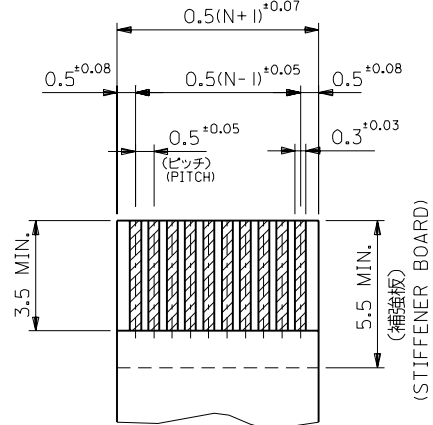
DWG. NO.
SD-54132-011



参考基板レイアウト
RECOMMENDED PC BOARD PATTERN DIMENSION(REF.)
(マウント面)
(MOUNTING SIDE)



適合FPC推奨寸法
APPLICABLE FPC RECOMMENDED DIMENSION
(仕上がり厚さ: 0.3±0.03)
(THICKNESS: 0.3±0.03)



適合FFC推奨寸法
APPLICABLE FFC RECOMMENDED DIMENSION
(仕上がり厚さ: 0.3±0.03)
(THICKNESS: 0.3±0.03)

注記
NOTES

1. 使用材料
MATERIAL
ハウジング : 46ナイロン, UL94V-0
HOUSING : 46NYLON
アクチュエーター : PPS, UL94V-0
ACTUATOR : PPS
ターミナル : リン青銅, 錫メッキ (t=0.2)
TERMINAL : PHOS-BRO, TIN-PLATED
金具 : リン青銅, 錫メッキ (t=0.2)
FITTING NAIL : PHOS-BRO, TIN-PLATED

2. エンボステープ梱包時は、アクチュエーターがロックした状態とする。
IN THE PACKAGE, ACTUATOR OF PART NO.54132-***31 SHOULD BE LOCKED.
③ ソルダータール半田付け面のズレ量、及び金具半田付け面のズレ量は、基準面 ④ に対し上方向0.1MAX. 下方向0.15MAX. とする。
MISALIGNMENT OF SOLDER TAILS AND FITTING NAIL FROM ④ UPPER DIRECTION: 0.1 MAX., LOWER DIRECTION: 0.15 MAX.
④ 偶数極に適用
APPLY FOR EVEN CIRCUIT.
⑤ パターンはくり止め用金具
FITTING NAIL FOR PREVENTION OF PEELING OF P.C.B. PATTERN.

FPC/FFCについて

打抜き方向は導体側から補強板側を推奨いたします。
導体部については軟銅箔35マイクロメーターまたは50マイクロメーターメッキ厚 3~9マイクロメーター錫または半田メッキ (電気メッキ)
RECOMMENDED PUNCHER DIRECTION:
FROM CONDUCTOR SIDE TO STIFFENER BOARD SIDE.
RECOMMENDED CONDUCTOR SPEC.:
THICKNESS OF SOFT COPPER FOIL:
35 micrometer or 50 micrometer
TIN OR SOLDER PLATING:
3~9 micrometer (ELECTRICAL PLATING)

DO NOT SCALE DRAWING

EC NO. DRAWN: CHK: APPR:	EC NO. DRAWN: CHK: APPR:	EC NO. DRAWN: CHK: APPR:	EC NO. DRAWN: CHK: APPR:	RELEASED	MATERIAL 材料	GENERAL TOLERANCES: (UNLESS SPECIFIED) 一般公差	SCALE	DESIGN UNITS	THIRD ANGLE PROJECTION	DIMENSIONS:		SHT	REV	
				EC NO. JC2001-0171 DRAWN: K.KOHAMA CHK: S.KUNISHI APPR: M.FUKUSHIMA			10 UNDER 未滿	+0.2		DRAWN BY & DATE K.KOHAMA 00/09/13	TITLE: 0.5 FPC CONN. ZIF HOUSING ASS'Y FOR SMT. (R/A) BOTTOM CONTACT	mm INCH	mm ONLY	REVISE ON CAD ONLY
				FINISH 仕上げ			10 OVER 以上 30 UNDER 未滿	+0.25		CHECKED BY & DATE S.KUNISHI 00/09/13				
				WIRE RANGE 適用導線範囲			30 OVER 以上	+0.3		APPROVED BY & DATE M.FUKUSHIMA 00/09/13	molex MOLEX INCORPORATED		CAD FILENAME	MATERIAL NO.
INS. RANGE 被覆外径		ANGLE 角度	+3°	THIS DRAWING CONTAINS INFORMATION THAT IS PROPRIETARY TO MOLEX INCORPORATED AND SHOULD NOT BE USED WITHOUT WRITTEN PERMISSION.				SIZE B						

DWG. NO. SD-54132-012

E

D

C

B

DO NOT SCALE DRAWING

8

7

6

5

4

3

2

1

F

E

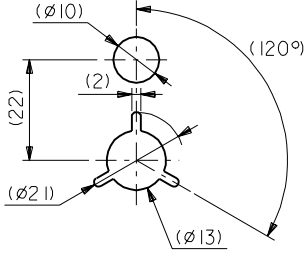
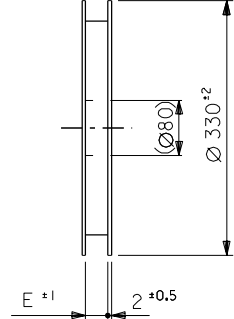
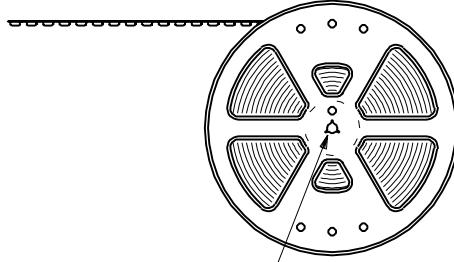
D

C

B

A

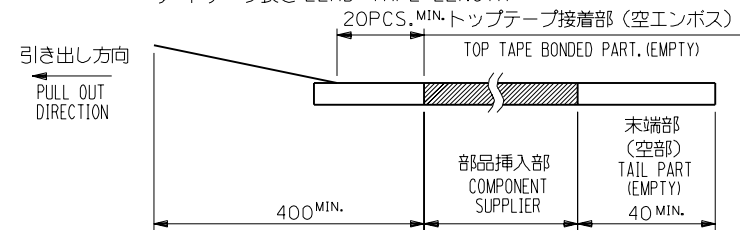
引き出し方向
PULL OUT DIRECTION



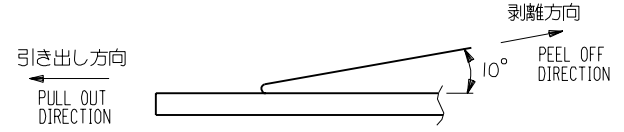
DETAIL "F"

NOTES

1. 梱包数量：1500個/リール
NUMBER OF CONNECTORS : 1500PCS/REEL
2. リードテープ長さ LEAD TAPE LENGTH



3. トップテープの剥離強度：0.1N ~ 0.7N(10.2gf ~ 71.4gf)
(剥離方向は下図参照)
尚、本規格値は出荷時に適用。(但し、輸送時に剥離が発生しないこと。)
PEELING OFF FORCE OF TOP TAPE : 0.1N ~ 0.7N(10.2gf ~ 71.4gf)
(PEELING DIRECTION AS SHOWN IN FOLLOWING FIG.)
THIS REQUIREMENT SHOULD BE APPLIED AT SHIPMENT.
PEEL OFF SHOULD NOT BE ALLOWED , DURING TRANSPORTATION.



5. 材料
キャリアテープ：ポリプロピレン (PP)
トップテープ：PET, PE, PEF
リール：ポリスチレン (PS) <リサイクル材を含む>

MATERIAL CARRIER TAPE:POLYPROPYLENE
TOP TAPE:PET,PE,PEF
REEL:POLYSTYREN(PS)
<RECYCLE MATERIAL CONTAINED>

EC NO. DRAWN: CHK'G APPR:	EC NO. DRAWN: CHK'G APPR:	EC NO. DRAWN: CHK'G APPR:	REVISED	MATERIAL 材料	GENERAL TOLERANCES: (UNLESS SPECIFIED) 一般公差	SCALE 2:1	DESIGN UNITS <input checked="" type="checkbox"/> mm <input type="checkbox"/> INCH	THIRD ANGLE PROJECTION	DIMENSIONS:		SHT	REV						
			EC NO. JC200 I-0487						DESCRIPTION	10 UNDER 未滿	+0.2	DRAWN BY & DATE K.KOHAMA '00/09/13	TITLE: EMBOSSD TAPE PACKAGE FOR 0.5 FPC CONN. ZIF	<input type="checkbox"/> mm	<input type="checkbox"/> INCH	<input checked="" type="checkbox"/> mm	<input type="checkbox"/> ONLY	REVISE ON CAD ONLY
			DRWN: K.KOHAMA '00/02/22							10 OVER 以上	+0.25			CHECKED BY & DATE S.KUNISHI '00/12/22	MOLEX INCORPORATED			
			CHK'G: S.KUNISHI '00/02/22							30 UNDER 未滿	+0.3					CAD FILENAME 54132012.S01	MATERIAL NO. 54132-***92	DRAWING NO. SD-54132-012
APPR: M.FUKUSHIMA '00/02/22	RELEASED	30 OVER 以上	+0.3	APPROVED BY & DATE M.FUKUSHIMA '00/12/22														
EC NO. JC200 I-0171	INS. RANGE 被覆外径	ANGLE 角度	+3°							THIS DRAWING CONTAINS INFORMATION THAT IS PROPRIETARY TO MOLEX INCORPORATED AND SHOULD NOT BE USED WITHOUT WRITTEN PERMISSION.								
DRWN: K.KOHAMA '00/09/03										SIZE B								
CHK'G: S.KUNISHI '00/09/03										EN-02J(097) MXJ-54								
APPR: M.FUKUSHIMA '00/09/03										54132012.S01								

8

7

6

5

4

3

2

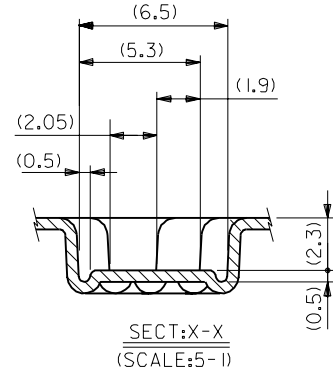
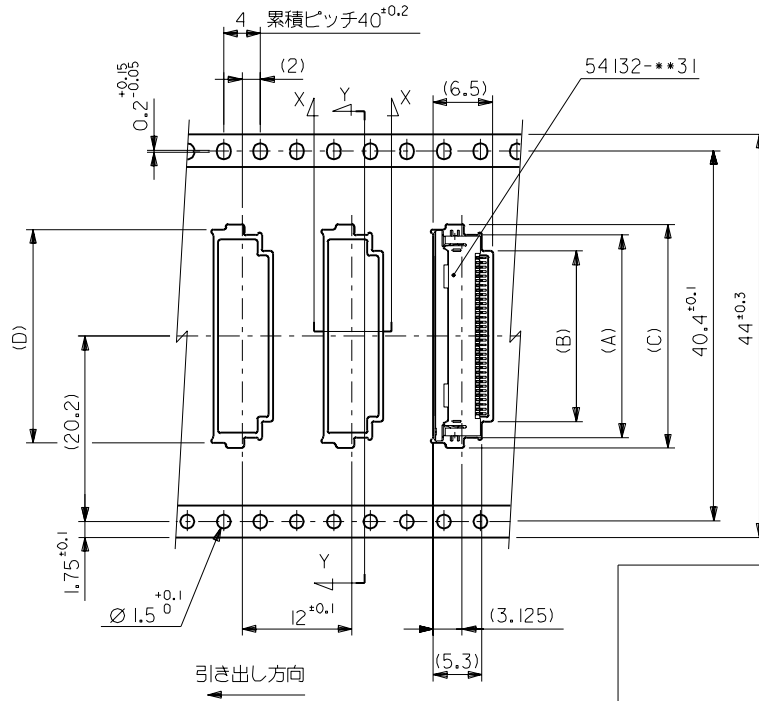
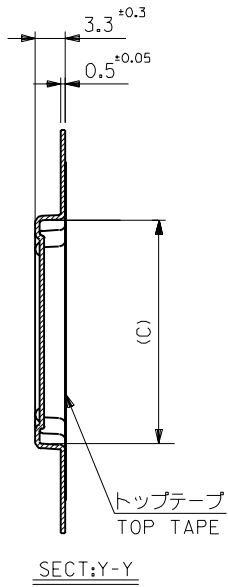
EN-02J(097) MXJ-54

A

B

SIZE

DWG. NO. SD-54132-012



44	45.5	30.8	31.6	26.1	29.6	54132-5092	50	
		28.3	29.4	23.6	27.1	-4592	45	
		27.3	28.4	22.6	26.1	-4392	43	
		25.8	26.9	21.1	24.6	-4092	40	
		24.8	25.9	20.1	23.6	-3892	38	
		23.8	24.9	19.1	22.6	-3692	36	
		23.3	24.4	18.6	22.1	-3592	35	
		22.8	23.9	18.1	21.6	-3492	34	
		22.3	23.4	17.6	21.1	-3392	33	
		21.8	22.9	17.1	20.6	-3292	32	
20.8	21.9	16.1	19.6	54132-3092	30			
キャリアテープ幅 CARRIER TAPE WIDTH		E	D	C	B	A	ENG. NO.	CKT.

DO NOT SCALE DRAWING

EC NO. DRAWN: CHK: APPR:	EC NO. DRAWN: CHK: APPR:	EC NO. DRAWN: CHK: APPR:	REVISED EC NO. JC200 I-0487 DRAWN: K.KOHAMA '00/02/22 CHK: S.KUNISHI '00/02/22 APPR: M.FUKUSHIMA '00/02/22 RELEASED	EC NO. JC200 I-0171 DRAWN: K.KOHAMA '00/09/13 CHK: S.KUNISHI '00/09/13 APPR: M.FUKUSHIMA '00/09/13
A				

MATERIAL 材料	SHEET 1 OF 2 参照 REFER TO SHEET 1 OF 2	
FINISH 仕上げ	//	
WIRE RANGE 適用線径範囲	//	
INS. RANGE 被覆外径	//	

GENERAL TOLERANCES: (UNLESS SPECIFIED) 一般公差		SCALE 2:1	DESIGN UNITS <input checked="" type="checkbox"/> mm <input type="checkbox"/> INCH	THIRD ANGLE PROJECTION	DIMENSIONS: <input type="checkbox"/> mm <input type="checkbox"/> INCH <input checked="" type="checkbox"/> mm ONLY	SHT REV
10 UNDER 未満	+0.2	DRAWN BY & DATE K.KOHAMA '00/09/13		TITLE: EMBOSSD TAPE PACKAGE FOR 0.5 FPC CONN. ZIF		
10 OVER 以上	+0.25	CHECKED BY & DATE S.KUNISHI '00/12/22		MOLEX INCORPORATED		
30 OVER 以上	+0.3	APPROVED BY & DATE M.FUKUSHIMA '00/12/22		CAD FILENAME 54132012.S02	MATERIAL NO. 54132-**92	DRAWING NO. SD-54132-012
ANGLE 角度	+3°	SHEET NO. 2 OF 2		SIZE B		

THIS DRAWING CONTAINS INFORMATION THAT IS PROPRIETARY TO MOLEX INCORPORATED AND SHOULD NOT BE USED WITHOUT WRITTEN PERMISSION.		EN-02J(O97) MXJ-54	
--	--	--------------------	--

54132012.S02