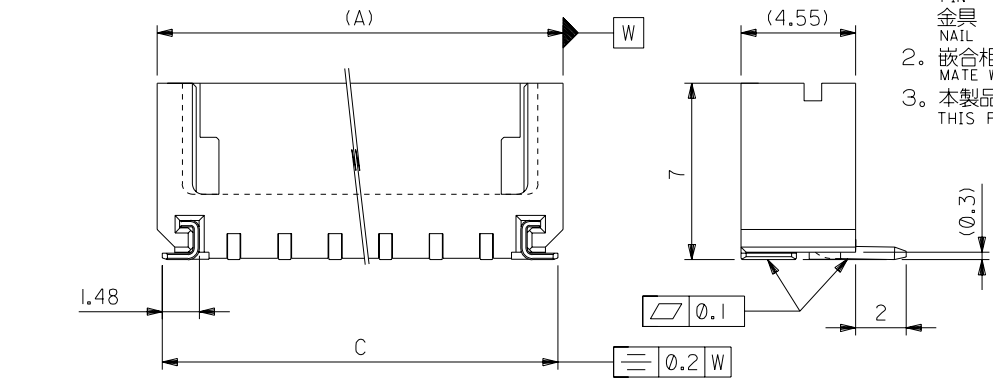
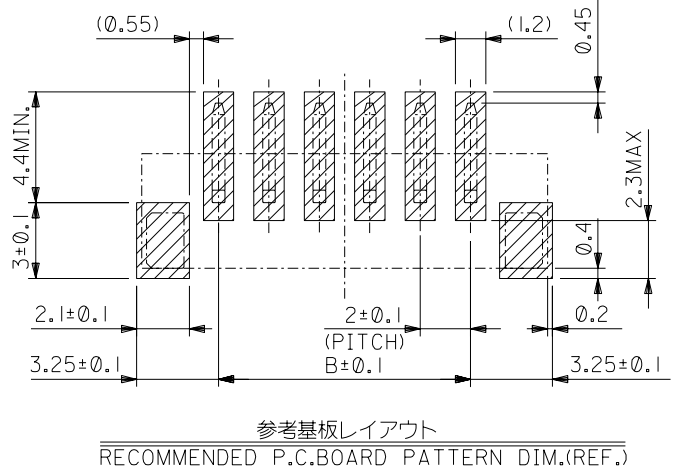
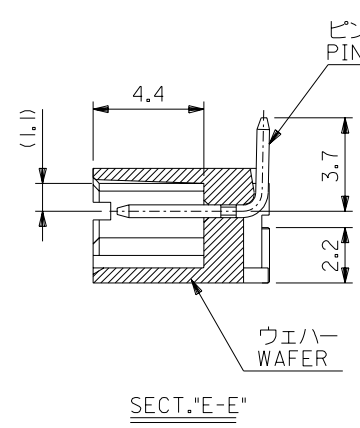
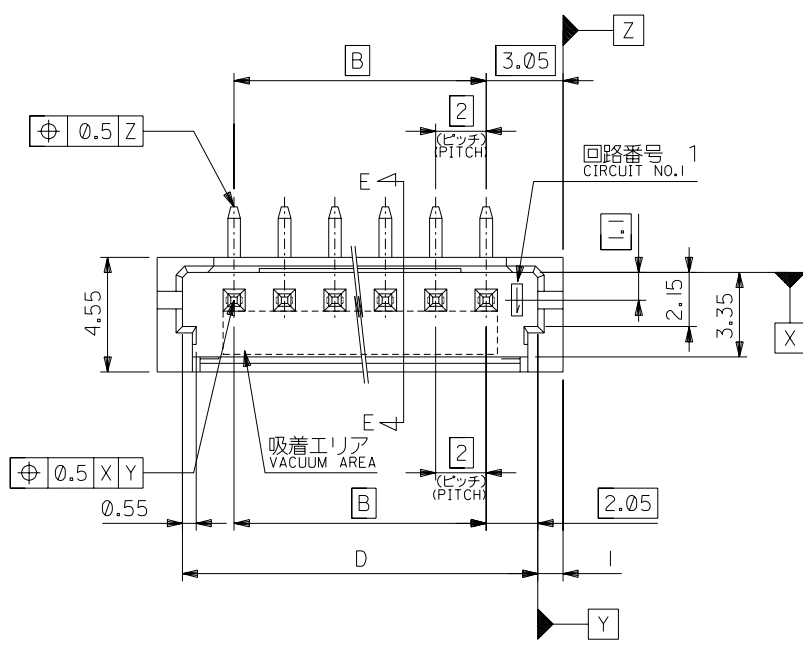


DO NOT SCALE DRAWING

DWG. NO. SD-55460-010

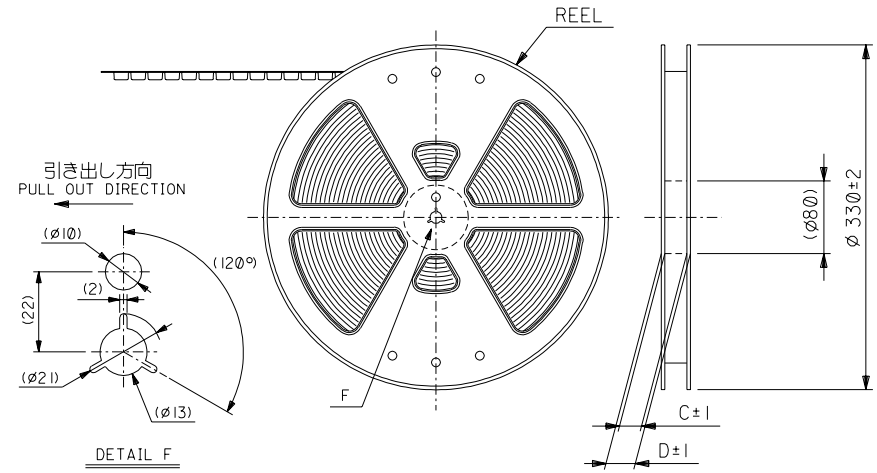


注記
NOTES

1. 材質 MATERIAL
 ウエハー: PPA, (UL94V-0)
 WAFER: PPA, UL94V-0
 ピン: 黄銅 (φ0.5), 銅下地錫メッキ
 PIN: BRASS (φ0.5), TIN OVER COPPER PATING
 金具: リン青銅 (+φ0.25), ニッケル下地錫メッキ
 NAIL: PHOSPHOR BRONZE, TIN OVER NICKEL PATING
2. 嵌合相手: 51090, 52484 シリーズ
 MATE WITH 51090, 52484 SERIES.
3. 本製品は 55460-***10 の鉛フリー品である。
 THIS PRODUCT IS LEAD FREE OF 55460-***10.

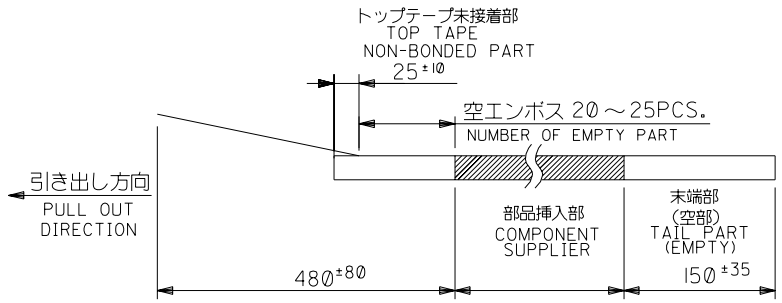
32.1	33.7	28	34.1	55460-1519	15
28.1	29.7	24	30.1	-1319	13
26.1	27.7	22	28.1	-1219	12
22.1	23.7	18	24.1	-1019	10
18.1	19.7	14	20.1	-0819	8
16.1	17.7	12	18.1	-0719	7
14.1	15.7	10	16.1	-0619	6
12.1	13.7	8	14.1	-0519	5
10.1	11.7	6	12.1	-0419	4
8.1	9.7	4	10.1	-0319	3
6.1	7.7	2	8.1	55460-0219	2
D	C	B	A	MATERIAL NO.	種数 CKTS.

66 NO. DRWN: CH'K: APPR: 63 NO. DRWN: CH'K: APPR: 62 NO. DRWN: CH'K: APPR: 新製作成 04/05/13 RELEASED 26 INO. J2004-4205 DRWN: T.UENO CH'K: M.SASAO APPR: M.SASAO 新製作成 04/03/29 RELEASED 26 INO. J2004-3410 DRWN: T.UENO CH'K: M.SASAO APPR: M.SASAO	MATERIAL 材料 注記参照 SEE NOTES FINISH 仕上げ 注記参照 SEE NOTES WIRE RANGE 適用層被範囲 // INS. RANGE 被覆外径 //	GENERAL TOLERANCES: (UNLESS SPECIFIED) 一般公差 10 UNDER 未満 ±0.2 10 OVER 30 UNDER 未満 ±0.25 30 OVER 以上 ±0.3 ANGLE 角度 ±3°	SCALE 1:1 DESIGN UNITS 25.4mm INCH DRAWN BY & DATE T.UENO '04/03/29 CHECKED BY & DATE M.SASAO '04/03/29 APPROVED BY & DATE M.SASAO '04/03/29 CAD FILENAME SD-55460-010.S01	MODEL NO. 55460-***19 DIMENSIONS: 25.4mm INCH SHT 2 REV 1 TITLE: 2.0 W-T-B CONN WAFER ASSY FOR SMT ST -LEAD FREE- MOLEX MOLEX INCORPORATED MATERIAL NO. SEE CHART DRAWING NO. SD-55460-010 SHEET NO. 1	
					55460-***19 MODEL NO. DIMENSIONS: 25.4mm INCH SHT 2 REV 1 TITLE: 2.0 W-T-B CONN WAFER ASSY FOR SMT ST -LEAD FREE- MOLEX MOLEX INCORPORATED
					MATERIAL NO. SEE CHART DRAWING NO. SD-55460-010 SHEET NO. 1
					25.4mm INCH SHT 2 REV 1 TITLE: 2.0 W-T-B CONN WAFER ASSY FOR SMT ST -LEAD FREE- MOLEX MOLEX INCORPORATED

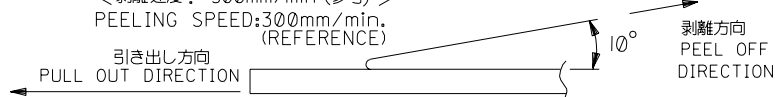


NOTES

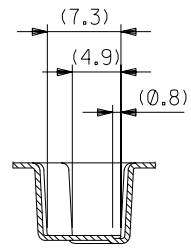
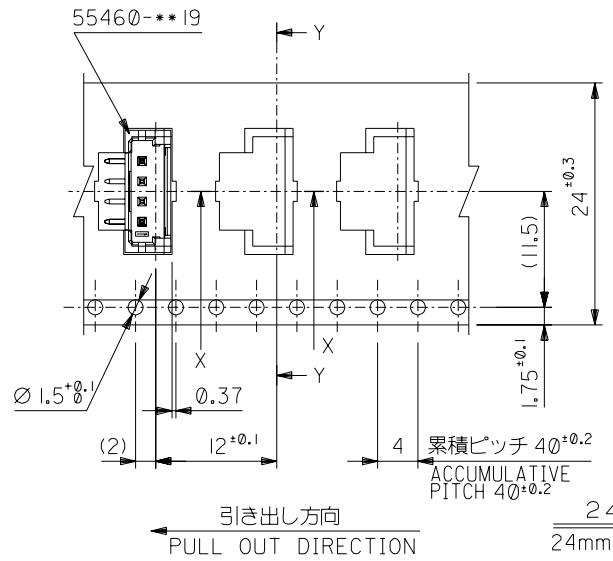
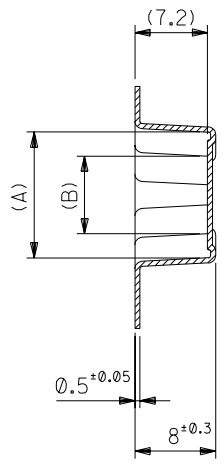
- 梱包数量：900個/リール
NUMBER OF CONNECTOR:900PCS/REEL
- リードテープ長さ
LEAD TAPE LENGTH



- トップテープの剥離強度：0.1N～1.3N(10gf～130gf) (剥離方向は下図参照)
PEELING OFF FORCE OF TOP TAPE: 0.1N～1.3N(10gf～130gf) (PEELING DIRECTION IS SHOWN IN FOLLOWING FIG.)
<剥離速度：300mm/min (参考)>
PEELING SPEED:300mm/min. (REFERENCE)

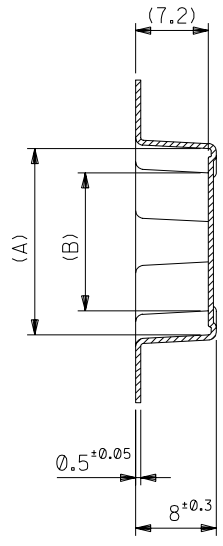


- 55460-**19 の詳細寸法については図面 SD-55460-010 を参照下さい。
RE DETAILED DIMENSIONS,SEE SD-55460-010
- 材料 (MATERIAL)
キャリアテープ(CARRIER TAPE):ポリプロピレン(POLYPROPYLENE)
トップテープ (TOP TAPE): PET ,PE ,PEF
リール (REEL) : ポリスチレン (PS) <リサイクル材を含む>
POLYSTYRENE(PS)<RECYCLE MATERIAL CONTAINED>
- 本製品は 55460-**90 の鉛フリー品である。
THIS PRODUCT IS LEAD FREE OF 55460-**90.

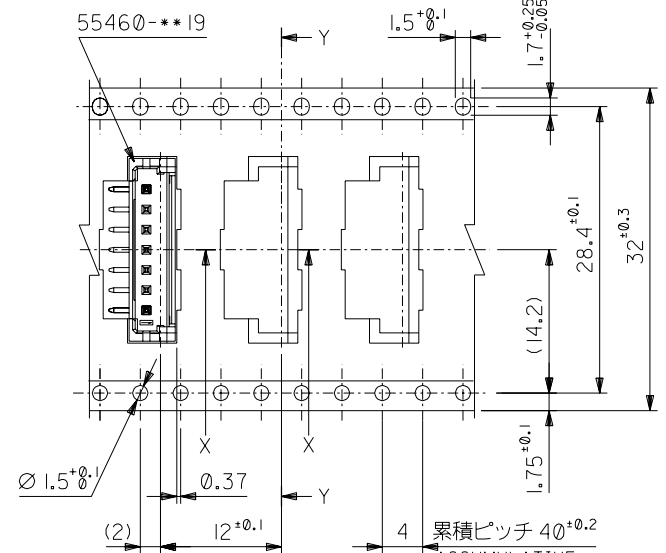


24	29.4	25.4	11.7	16.45	55460-0672	6
			9.7	14.45	55460-0572	5
			7.7	12.45	55460-0472	4
			5.7	10.45	55460-0372	3
			3.7	8.45	55460-0272	2
キャリアテープ幅	D	C	B	A	MATERIAL NO.	種数 CKTS.

DO NOT SCALE DRAWING		55460-**72 MODEL NO.		DIMENSIONS:		SHT REV		
SCALE: 1/1		DESIGN UNITS: <input checked="" type="checkbox"/> mm <input type="checkbox"/> INCH		THIRD ANGLE PROJECTION: <input checked="" type="checkbox"/> mm <input type="checkbox"/> INCH		REVISION ON CAD ONLY		
DRAWN BY & DATE: T.UENO '04/03/29		CHECKED BY & DATE: M.SASAO '04/03/29		APPROVED BY & DATE: M.SASAO '04/03/29		TITLE: 2.0 W+B Conn WAFER Assy Embstp pkg -LEAD FREE-		
CAD FILENAME: SD-55460-011,S01		MATERIAL NO. SEE CHART		DRAWING NO. SD-55460-011		SHEET NO. 1 OF 3		
THIS DRAWING CONTAINS INFORMATION THAT IS PROPRIETARY TO MOLEX INCORPORATED AND SHOULD NOT BE USED WITHOUT WRITTEN PERMISSION.								SIZE B

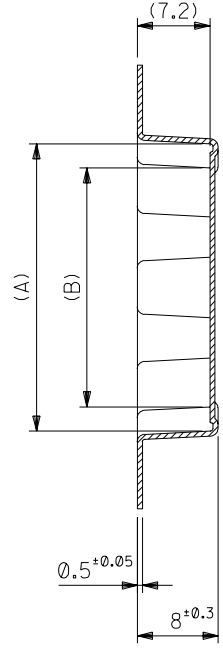


SECT. Y-Y

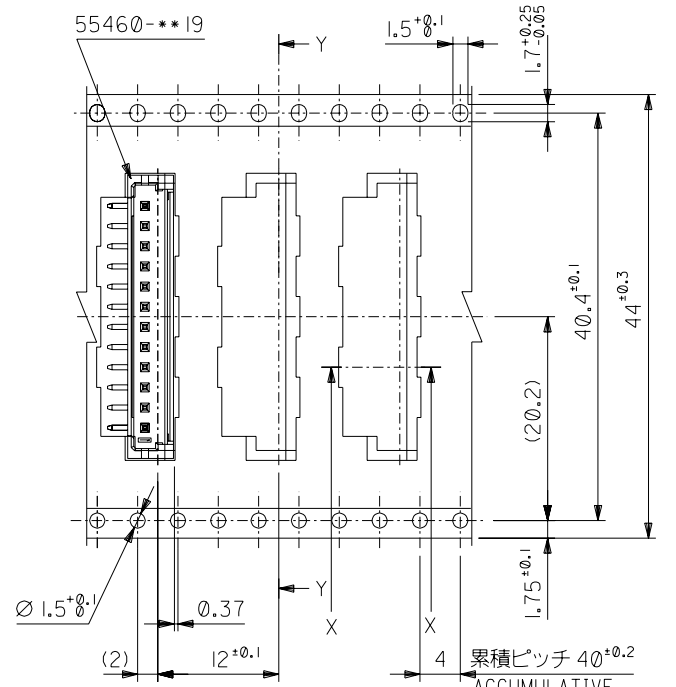


引き出し方向
PULL OUT DIRECTION

32mm幅キャリアテープ
32mm WIDTH CARRIER TAPE

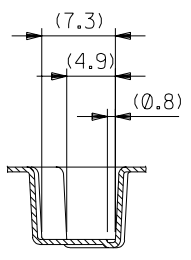


SECT. Y-Y



引き出し方向
PULL OUT DIRECTION

44mm幅キャリアテープ
44mm WIDTH CARRIER TAPE



SECT. X-X

44	49.4	45.4	25.7	30.45	55460-1372	13
			23.7	28.45	55460-1272	12
32	37.4	33.4	19.7	24.45	55460-1072	10
			15.7	20.45	55460-0872	8
			13.7	18.45	55460-0772	7
キャリアテープ幅	D	C	B	A	MATERIAL NO.	種数 CKTS.

55460-***72 MODEL NO. DIMENSIONS:
SCALE: mm INCH mm ONLY mm ONLY
DESIGN UNITS: mm INCH
THIRD ANGLE PROJECTION: THIRD ANGLE FIRST ANGLE
SHT: REV: REVISION ON CAD ONLY

DO NOT SCALE DRAWING

EC NO. DRWN: CHK: APPR:	EC NO. DRWN: CHK: APPR:	EC NO. DRWN: CHK: APPR:	EC NO. DRWN: CHK: APPR:	EC NO. DRWN: CHK: APPR:	EC NO. DRWN: CHK: APPR:
EC NO. SEE SHEET 1 OF 3					
DESCRIPTION					
MATERIAL 材料					
FINISH 仕上げ					
WIRE RANGE 適用電線範囲					
INS. RANGE 被覆外径					

SHEET 1 OF 3 参照
SEE SHEET 1 OF 3

GENERAL TOLERANCES:
(UNLESS SPECIFIED)
一般公差

10 UNDER 未満	±0.2
10 OVER 30 UNDER 未満	±0.25
30 OVER 以上	±0.3
ANGLE 角度	±3°

DRAWN BY & DATE: T.UENO '04/03/29

CHECKED BY & DATE: M.SASAO '04/03/29

APPROVED BY & DATE: M.SASAO '04/03/29

CAD FILENAME: SD-55460-011.S02

TITLE: 2.0 WtB Conn WAFER Assy Embstp pkg -LEAD FREE-

MATERIAL NO. SEE CHART

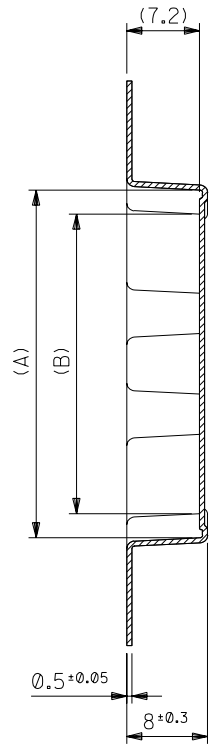
DRAWING NO. SD-55460-011

SHEET NO. 2 OF 3

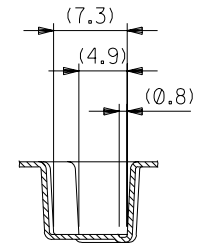
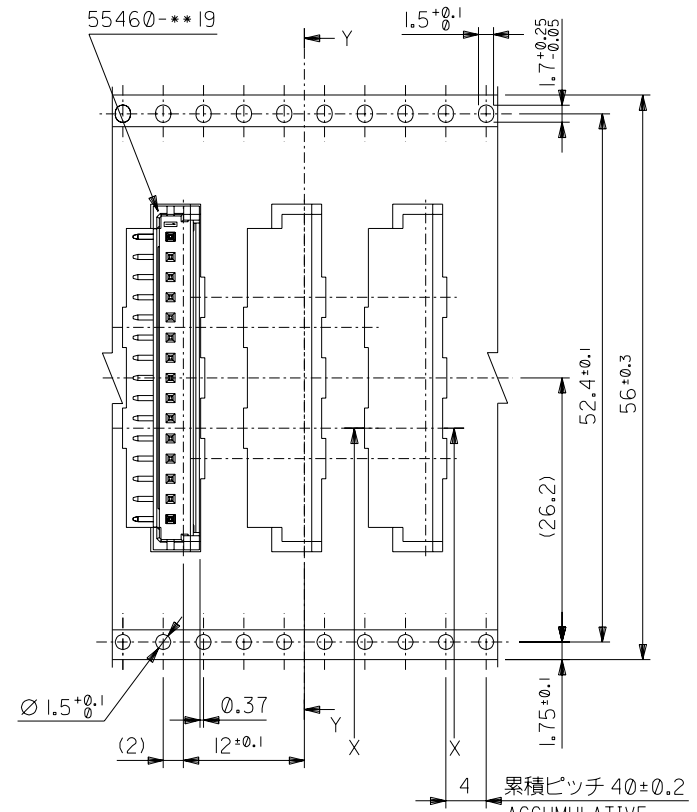
THIS DRAWING CONTAINS INFORMATION THAT IS PROPRIETARY TO MOLEX INCORPORATED AND SHOULD NOT BE USED WITHOUT WRITTEN PERMISSION.

SIZE B

DWG. NO.
SD-55460-011



SECT. Y-Y



SECT. X-X

引き出し方向
PULL OUT DIRECTION
56mm幅キャリアテープ
56mm WIDTH CARRIER TAPE

累積ピッチ 40±0.2
ACCUMULATIVE PITCH 40±0.2

56	61.4	57.4	29.7	34.45	55460-1572	15
キャリアテープ幅	D	C	B	A	MATERIAL NO.	種数 CKTS.

55460-**-72	MODEL NO.	DIMENSIONS:	SHT	REV
<input checked="" type="checkbox"/> mm	<input type="checkbox"/> INCH	<input type="checkbox"/> mm ONLY	REVISE ON CAD ONLY	

SCALE	DESIGN UNITS	THIRD ANGLE PROJECTION	TITLE:			
1:1	<input checked="" type="checkbox"/> mm <input type="checkbox"/> INCH	<input checked="" type="checkbox"/> THIRD ANGLE	2.0 WtB Conn WAFER Assy			
DRAWN BY & DATE		CHECKED BY & DATE				
T.UENO '04/03/29		M.SASAO '04/03/29				
APPROVED BY & DATE		M.SASAO '04/03/29				
CAD FILENAME		MATERIAL NO.	DRAWING NO.	SHEET NO.		
SD-55460-011.S03		SEE CHART	SD-55460-011	3 OF 3		

EC NO.	DRWN:	CH'K:	APPR:	EC NO.	DRWN:	CH'K:	APPR:	EC NO.	DRWN:	CH'K:	APPR:	EC NO.	DRWN:	CH'K:	APPR:	EC NO.	DRWN:	CH'K:	APPR:

DESCRIPTION	MATERIAL 材料	GENERAL TOLERANCES: (UNLESS SPECIFIED) 一般公差
	SHEET 1 OF 3 参照 SEE SHEET 1 OF 3	10 UNDER 未満 ±0.2
FINISH 仕上げ	//	10 OVER 以上 30 UNDER 未満 ±0.25
WIRE RANGE 適用電線範囲	//	30 OVER 以上 ±0.3
INS. RANGE 被覆外径	//	ANGLE 角度 ±3°

REV	DESCRIPTION
0	

THIS DRAWING CONTAINS INFORMATION THAT IS PROPRIETARY TO MOLEX INCORPORATED AND SHOULD NOT BE USED WITHOUT WRITTEN PERMISSION. SIZE B

DO NOT SCALE DRAWING