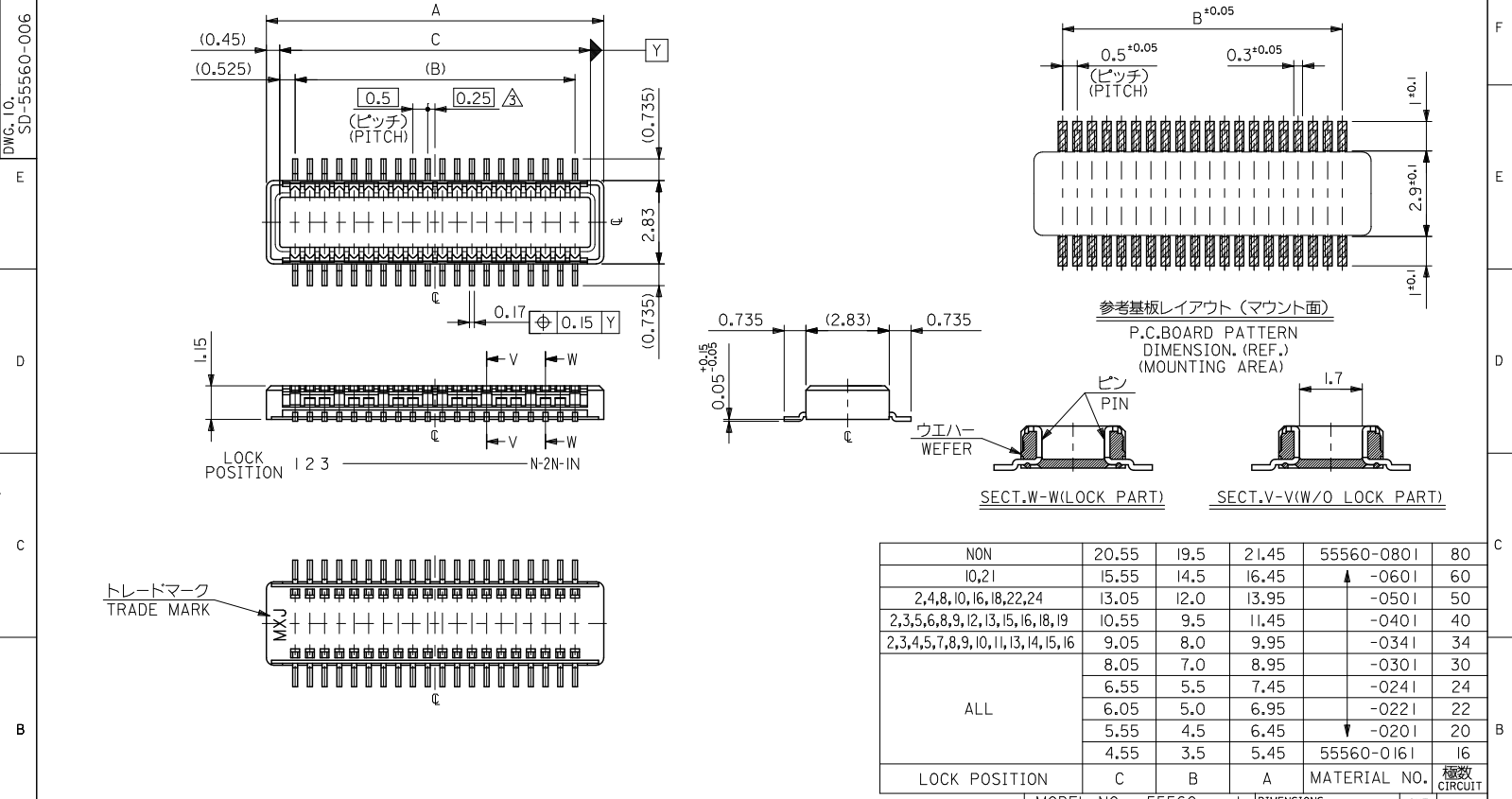


DWG. NO. SD-55560-006

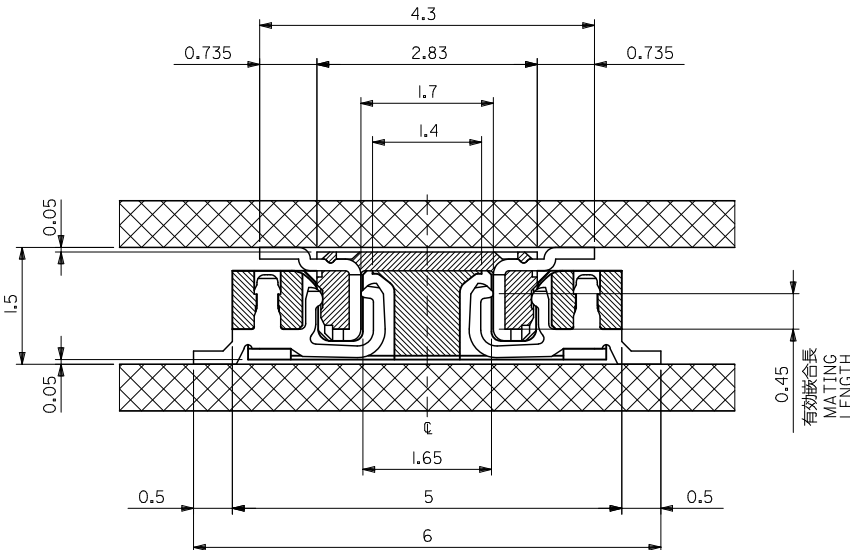


	NON	20.55	19.5	21.45	55560-0801	80
	10,21	15.55	14.5	16.45	↑ -0601	60
	2,4,8,10,16,18,22,24	13.05	12.0	13.95	↑ -0501	50
	2,3,5,6,8,9,12,13,15,16,18,19	10.55	9.5	11.45	↑ -0401	40
	2,3,4,5,7,8,9,10,11,13,14,15,16	9.05	8.0	9.95	↑ -0341	34
ALL		8.05	7.0	8.95	↑ -0301	30
		6.55	5.5	7.45	↑ -0241	24
		6.05	5.0	6.95	↑ -0221	22
		5.55	4.5	6.45	↓ -0201	20
	4.55	3.5	5.45	55560-0161	16	
LOCK POSITION	C	B	A	MATERIAL NO.	極数	CIRCUIT

DO NOT SCALE DRAWING	REVISED EC NO. JZ010-1741 DRWN: Y.GNO '00/09/01 CHK: SMARUYAMA APPR: SMARUYAMA	REVISED EC NO. JZ010-1529 DRWN: Y.GNO '00/07/27 CHK: SMARUYAMA APPR: M.SASAO	REVISED EC NO. JZ003-2517 DRWN: S.AIHARA '03/03/31 CHK: M.SASAO APPR: M.SASAO	REVISED EC NO. JZ003-1929 DRWN: T.YASUI '03/11/23 CHK: T.IITO APPR: T.IITO	REVISED EC NO. JZ003-1468 DRWN: T.YASUI '02/11/25 CHK: T.IITO APPR: T.YAMAGUCHI	MATERIAL 材料 注記参照 SEE NOTES	GENERAL TOLERANCES: (UNLESS SPECIFIED) 一般公差	SCALE 1/4	MODEL NO. 55560-***1	DIMENSIONS: THIRD ANGLE PROJECTION	SHT REV
	J	I	G	F	E	DESCRIPTION	FINISH 仕上げ //	10 UNDER 未満 +0.2	DRAWN BY & DATE S.AIHARA '00/10/5	mm <input checked="" type="checkbox"/> INCH <input type="checkbox"/>	REVISE ON CAD ONLY
					REV	WIRE RANGE 適用電線範囲 //	10 OVER 以上 30 UNDER 未満 +0.25	CHECKED BY & DATE M.SASAO '03/03/31	mm <input type="checkbox"/> INCH <input type="checkbox"/>		
						INS. RANGE 被覆外径 //	30 OVER 以上 +0.3	APPROVED BY & DATE M.SASAO '03/03/31	mm ONLY		
							ANGLE 角度	CAD FILENAME 55560006.S01	INCH <input type="checkbox"/> mm <input checked="" type="checkbox"/>		
								TITLE: 0.5 B-To-B Conn PLUG Assy(Hgt=1.5mm)	MOLEX INCORPORATED		
								MATERIAL NO. SEE CHART	DRAWING NO. SD-55560-006	SHEET NO. 1 OF 2	
								THIS DRAWING CONTAINS INFORMATION THAT IS PROPRIETARY TO MOLEX INCORPORATED AND SHOULD NOT BE USED WITHOUT WRITTEN PERMISSION.		SIZE B	
										55560006.S01	

EN-02(J097) MXJ-54

DWG. 10.
SD-55560-006

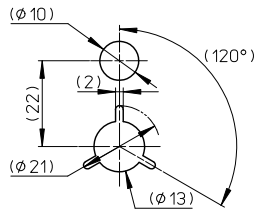
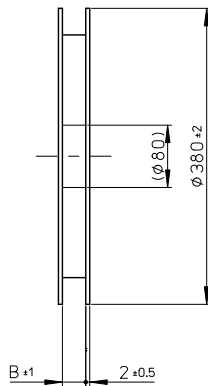
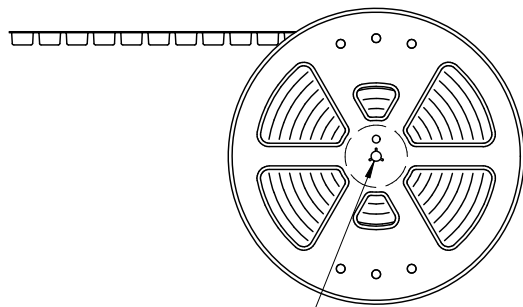


- 注記 NOTES:
1. 使用材料 MATERIAL
 ウェハー: 液晶ポリマー ガラス充填, UL94V-0 (黒)
 WAFER: LIQUID CRYSTAL POLYMER (GLASS FILLED), UL94V-0 (COLOR:BLACK)
 ピン : 黄銅 (t=0.15)
 PIN : BRASS(t=0.15)
 2. メッキ仕様 PLATING
 金メッキ 0.25 MICROMETER MINIMUM (コンタクト部)
 GOLD 0.25 MICROMETER MINIMUM (CONTACT AREA).
 金メッキ 0.4 MICROMETER MAXIMUM (テール部)
 GOLD 0.4 MICROMETER MAXIMUM (TAIL AREA).
 下地メッキ: ニッケルメッキ 1.5 MICROMETER MINIMUM
 UNDER PLATING: NICKEL 1.5 MICROMETER MINIMUM.
 △ (全極数/2) = 偶数の場合に適用。
 APPLY FOR (CIRCUIT/2)=EVEN.
 4. 嵌合相手: 54722 シリズ, 54037 シリズ
 MATE WITH: 54722 SERIES, 54037 SERIES.
 5. テール平坦度は, 0.1 MAXIMUM
 TAIL COPLANARITY TO BE 0.1 MAXIMUM.

DO NOT SCALE DRAWING		REVISED EC NO. JZ010-1741 DRWN: Y.GNO '00/03/01 CHK: SMARUYAMA APPR: SMARUYAMA		REVISED EC NO. JZ010-1529 DRWN: Y.GNO '00/01/27 CHK: SMARUYAMA APPR: M.SASAO		REVISED EC NO. JZ003-2517 DRWN: S.AIHARA '03/03/31 CHK: M.SASAO APPR: M.SASAO		REVISED EC NO. JZ003-1929 DRWN: T.YASUI '03/11/23 CHK: I.IITO APPR: I.IITO		REVISED EC NO. JZ003-1468 DRWN: T.YASUI '02/11/25 CHK: I.IITO APPR: T.YAMAGUCHI		MATERIAL 材料 注記参照 SEE NOTES		GENERAL TOLERANCES: (UNLESS SPECIFIED) 一般公差		SCALE 寸法		MODEL NO. 55560-****		DIMENSIONS: 寸法		SHT REV		
J	I	G	F	E	D	C	B	A																
												FINISH 仕上げ		DRAWN BY & DATE S.AIHARA '00/10/5		DESIGN UNITS 設計単位		THIRD ANGLE PROJECTION		TITLE: 0.5 B-To-B Conn PLUG Assy(Hgt=1.5mm)		REVISE ON CAD ONLY		
												WIRE RANGE 適用電線範囲		CHECKED BY & DATE M.SASAO '03/03/31		mm INCH		mm ONLY		MATERIAL NO. SEE CHART		SHEET NO. 2 OF 2		
												INS. RANGE 被覆外径		APPROVED BY & DATE M.SASAO '03/03/31		INCH		MATERIAL NO. SEE CHART		DRAWING NO. SD-55560-006		SIZE B		
												ANGLE 角度		CAD FILENAME 55560006.SQ2		3°		MATERIAL NO. SEE CHART		DRAWING NO. SD-55560-006		EN-02(J097) MXJ-54		
THIS DRAWING CONTAINS INFORMATION THAT IS PROPRIETARY TO MOLEX INCORPORATED AND SHOULD NOT BE USED WITHOUT WRITTEN PERMISSION.																								

10 9 8 7 6 5 4 3 2 1

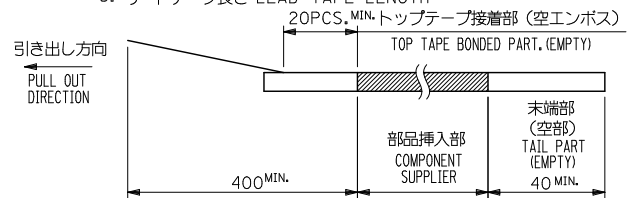
引き出し方向
PULL OUT DIRECTION



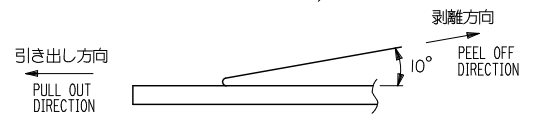
DETAIL "F"

NOTES

- 製品詳細寸法については図面 SD-55560-006 を参照下さい。
RE DETAILED DIMENSION, SEE SD-55560-006
- 梱包数量: 3000個/リール
NUMBER OF CONNECTORS: 3000PCS/REEL
- リードテープ長さ LEAD TAPE LENGTH



- トップテープの剥離強度: 0.1N ~ 0.7N(10.2gf ~ 71.4gf)
(剥離方向は下図参照)
尚、本規格値は出荷時に適用。(但し、輸送時に剥離が発生しないこと。)
PEELING OFF FORCE OF TOP TAPE: 0.1N ~ 0.7N(10.2gf ~ 71.4gf)
(PEELING DIRECTION AS SHOWN IN FOLLOWING FIG.)
THIS REQUIREMENT SHOULD BE APPLIED AT SHIPMENT.
PEEL OFF SHOULD NOT BE ALLOWED, DURING TRANSPORTATION.

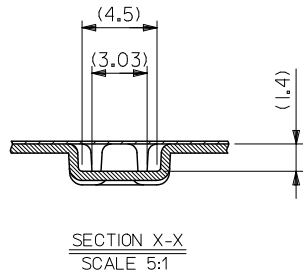
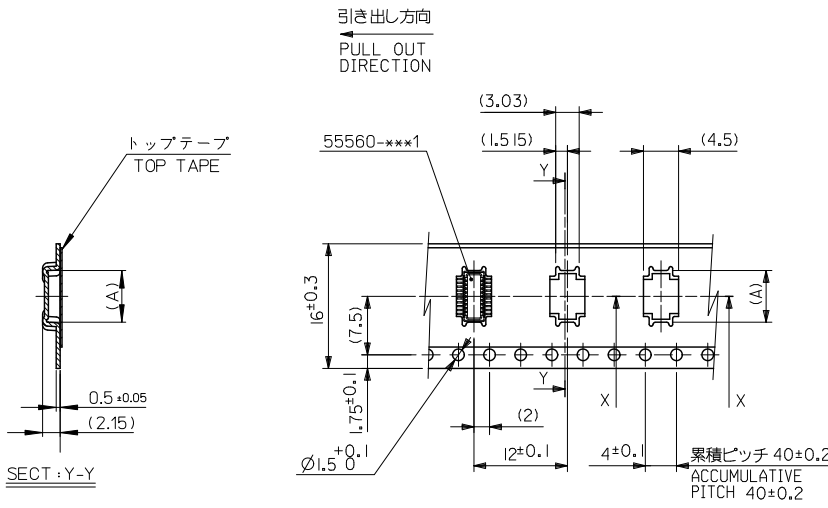


- 材料
キャリアテープ: ポリプロピレン (PP)
トップテープ: PET, PE, PEF
リール: ポリスチレン (PS) <リサイクル材を含む>

MATERIAL CARRIER TAPE: POLYPROPYLENE
TOP TAPE: PET, PE, PEF
REEL: POLYSTYRENE (PS)
<RECYCLE MATERIAL CONTAINED>

REVISED EC NO: J2010-1529 DRW: YON002 CHKD: SMARYAMA APPR: MSASAO 2010/01/28 2010/02/01 2010/02/01	GENERAL TOLERANCES (UNLESS SPECIFIED)		DIMENSION STYLE MM ONLY		SCALE ---	DESIGN UNITS METRIC	THIRD ANGLE PROJECTION
	10 UNDER	±0.2	DRAWN BY S. AIHARA	DATE '00/10/06	TITLE 0.5 B-T0-B PLUG ASSY (HGT=1.5) EMBSTP PKG (SHEET 1 OF 5)		
	10 OVER 30 UNDER	±0.25	CHECKED BY M. SASAO	DATE '03/03/31	MOLEX INCORPORATED		
	30 OVER	±0.3	APPROVED BY M. SASAO	DATE '03/03/31	DOCUMENT NO. SD-55560-007	SHEET NO. 1 OF 5	
REV	DESCRIPTION	ANGULAR ±3 °		MATERIAL NO. SEE CHART	THIS DRAWING CONTAINS INFORMATION THAT IS PROPRIETARY TO MOLEX INCORPORATED AND SHOULD NOT BE USED WITHOUT WRITTEN PERMISSION		
DRAFT WHERE APPLICABLE MUST REMAIN WITHIN DIMENSIONS							

10 9 8 7 6 5 4 3 2 1



16mm幅キャリアテープ
16mm WIDTH CARRIER TAPE

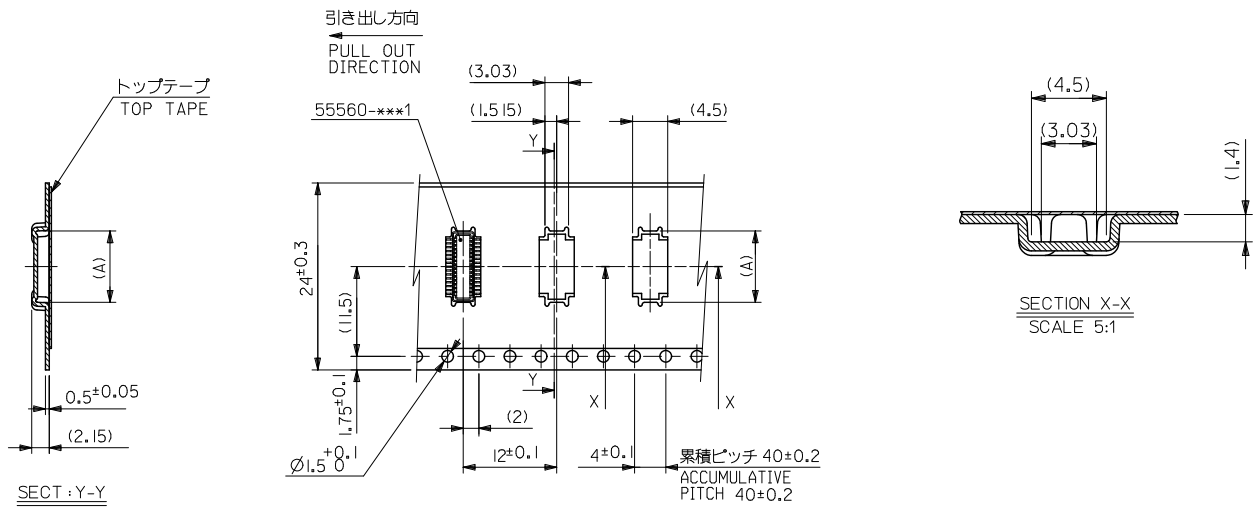
16	17.5	6.65	55560-0207	55560-***7	20
キャリアテープ幅 CARRIER TAPE WIDTH	B	(A)	MATERIAL No.	MODEL No.	極数 CIRCUIT

REVISED EC NO: J2010-1529 DRW: YON02 CHK: SMARYAMA APPR: MSASAO 2010/01/28 2010/02/01 2010/02/01	GENERAL TOLERANCES (UNLESS SPECIFIED)		DIMENSION STYLE MM ONLY		SCALE ---	DESIGN UNITS METRIC	THIRD ANGLE PROJECTION
	10 UNDER	±0.2	DRAWN BY S. AIHARA	DATE '00/10/06	TITLE 0.5 B-T0-B PLUG ASSY (HGT=1.5) EMBSTP PKG (SHEET 2 OF 5)		
	10 OVER 30 UNDER	±0.25	CHECKED BY M. SASAO	DATE '03/03/31	MOLEX INCORPORATED		
	30 OVER	±0.3	APPROVED BY M. SASAO	DATE '03/03/31	DOCUMENT NO. SD-55560-007	SHEET NO. 2 OF 5	
ANGULAR ±3°		DRAFT WHERE APPLICABLE MUST REMAIN WITHIN DIMENSIONS		SEE CHART		THIS DRAWING CONTAINS INFORMATION THAT IS PROPRIETARY TO MOLEX INCORPORATED AND SHOULD NOT BE USED WITHOUT WRITTEN PERMISSION	

ib_frame_A3_J_ME_S
Rev. E 2006/04/15

9 8 7 6 5 4 3 2 1 EN-02JA(021)

10 9 8 7 6 5 4 3 2 1

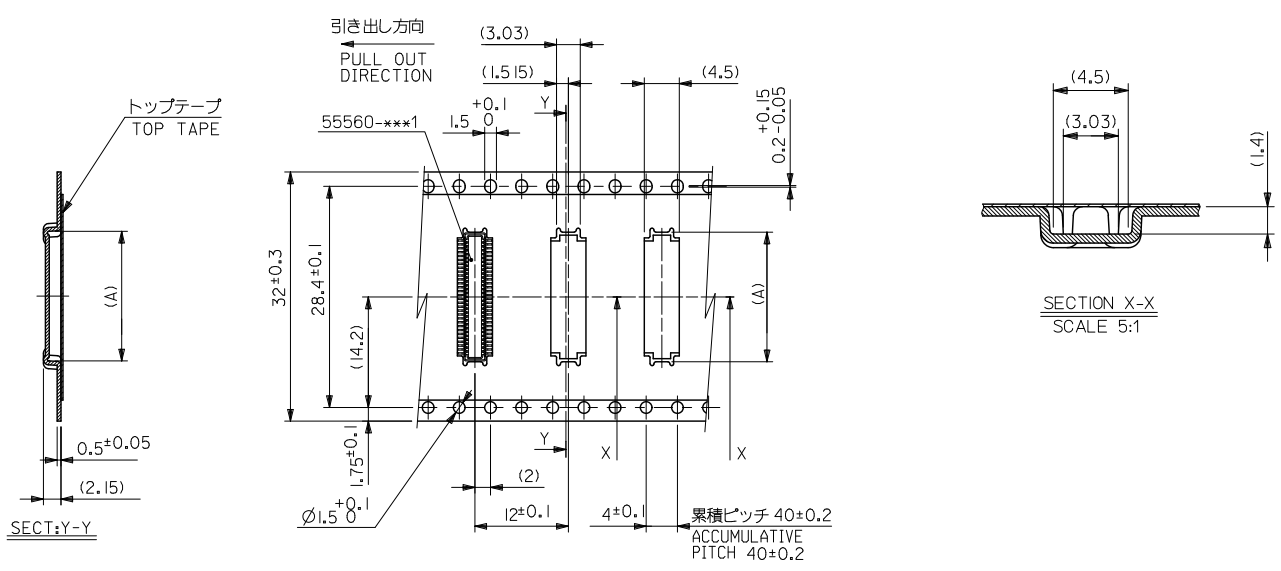


24mm幅キャリアテープ
24mm WIDTH CARRIER TAPE

24	25.5	14.15	55560-0507	55560-***7	50	
		11.65	55560-0407		40	
		10.15	55560-0347		34	
		9.15	55560-0307		30	
		7.65	55560-0247		24	
		7.15	55560-0227		22	
キャリアテープ幅 CARRIER TAPE WIDTH		B	(A)	MATERIAL No.	MODEL No.	極数 CIRCUIT

REVISED EC NO: J2010-1529 DRW: YONOD CHK: S. MARYAMA APPR: M. SASAO 2010/01/28 2010/02/01 2010/02/02	GENERAL TOLERANCES (UNLESS SPECIFIED)		DIMENSION STYLE MM ONLY		SCALE ---	DESIGN UNITS METRIC	THIRD ANGLE PROJECTION
	10 UNDER	±0.2	DRAWN BY S. AIHARA	DATE '00/10/06	TITLE 0.5 B-T0-B PLUG ASSY (HGT=1.5) EMBSTP PKG (SHEET 3 OF 5)		
	10 OVER 30 UNDER	±0.25	CHECKED BY M. SASAO	DATE '03/03/31	MOLEX INCORPORATED		
	30 OVER	±0.3	APPROVED BY M. SASAO	DATE '03/03/31	MATERIAL NO. SEE TABLE	DOCUMENT NO. SD-55560-007	SHEET NO. 3 OF 5
	ANGULAR ±3 °		DRAFT WHERE APPLICABLE MUST REMAIN WITHIN DIMENSIONS		THIS DRAWING CONTAINS INFORMATION THAT IS PROPRIETARY TO MOLEX INCORPORATED AND SHOULD NOT BE USED WITHOUT WRITTEN PERMISSION		

10 9 8 7 6 5 4 3 2 1

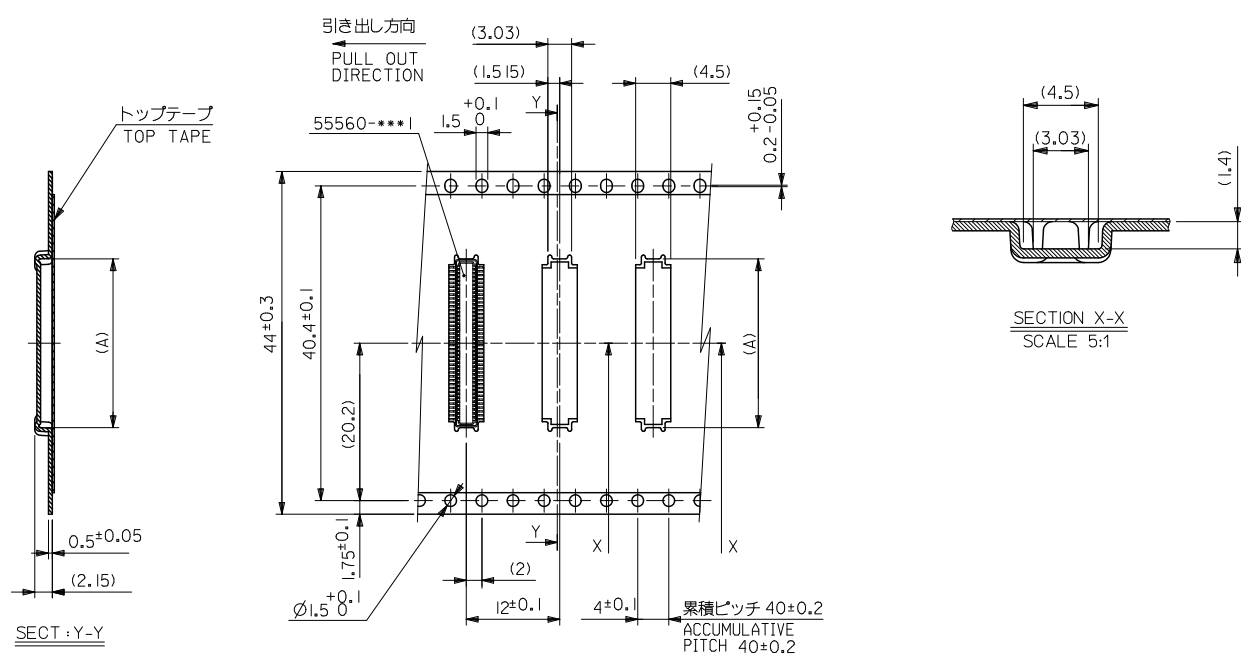


32mm幅キャリアテープ
32mm WIDTH CARRIER TAPE

32	33.5	16.65	55560-0607	55560-***7	60
キャリアテープ幅 CARRIER TAPE WIDTH	B	(A)	MATERIAL No.	MODEL No.	極数 CIRCUIT

REVISED EC NO: J2010-1529 DRW: YON02 CHK: S.MARYAMA APPR: M.SASAO 2010/01/28 2010/02/01 2010/02/02	GENERAL TOLERANCES (UNLESS SPECIFIED)		DIMENSION STYLE MM ONLY		SCALE ---	DESIGN UNITS METRIC	THIRD ANGLE PROJECTION
	10 UNDER	±0.2	DRAWN BY T. YASUI	DATE '02/03/06	TITLE 0.5 B-T0-B PLUG ASSY (HGT=1.5) EMBSTP PKG (SHEET 4 OF 5)		
	10 OVER 30 UNDER	±0.25	CHECKED BY M. SASAO	DATE '03/03/31			
	30 OVER	±0.3	APPROVED BY M. SASAO	DATE '03/03/31			
ANGULAR ±3 °		MATERIAL NO. SEE CHART		DOCUMENT NO. SD-55560-007		SHEET NO. 4 OF 5	
DRAFT WHERE APPLICABLE MUST REMAIN WITHIN DIMENSIONS		THIS DRAWING CONTAINS INFORMATION THAT IS PROPRIETARY TO MOLEX INCORPORATED AND SHOULD NOT BE USED WITHOUT WRITTEN PERMISSION					

10 9 8 7 6 5 4 3 2 1



44mm幅キャリアテープ
44mm WIDTH CARRIER TAPE

44	45.5	21.65	55560-0807	55560-***7	80
キャリアテープ幅 CARRIER TAPE WIDTH	B	(A)	MATERIAL No.	MODEL No.	極数 CIRCUIT

REVISED EC NO: J2010-1529 DRW: YON02 CHK: S.MARYAMA APPR: M.SASAO 2010/01/28 2010/02/01 2010/02/01	GENERAL TOLERANCES (UNLESS SPECIFIED)		DIMENSION STYLE MM ONLY		SCALE ---	DESIGN UNITS METRIC	THIRD ANGLE PROJECTION
	10 UNDER	±0.2	DRAWN BY S. AIHARA	DATE '00/10/06	TITLE 0.5 B-T0-B PLUG ASSY (HGT=1.5) EMBSTP PKG (SHEET 5 OF 5)		
	10 OVER 30 UNDER	±0.25	CHECKED BY M. SASAO	DATE '03/03/31	MOLEX INCORPORATED		
	30 OVER	±0.3	APPROVED BY M. SASAO	DATE '03/03/31	MATERIAL NO. SEE CHART	DOCUMENT NO. SD-55560-007	SHEET NO. 5 OF 5
ANGULAR ±3°		DRAFT WHERE APPLICABLE MUST REMAIN WITHIN DIMENSIONS		THIS DRAWING CONTAINS INFORMATION THAT IS PROPRIETARY TO MOLEX INCORPORATED AND SHOULD NOT BE USED WITHOUT WRITTEN PERMISSION			