

注記
NOTES

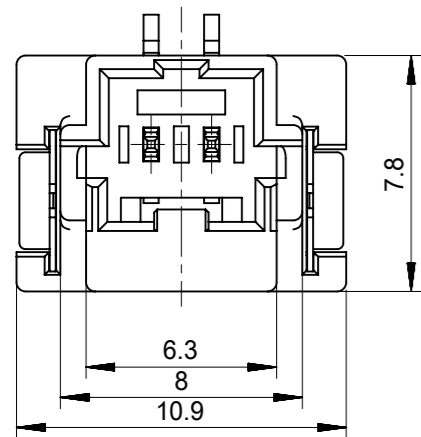
- 材質
ウエハー: 耐熱性ナイロン UL94V-0
ピン: 銅合金、ニッケル下地、錫メッキ、金メッキ
フィッティングネール: 銅合金、ニッケル下地、錫メッキ
MATERIAL
WAFER: POLYAMIDE UL94V-0
PIN: COPPER ALLOY, GOLD OR TIN OVER NICKEL PLATE.
FITTING NAIL: COPPER ALLOY, TIN OVER NICKEL PLATE.
- 色: ナチュラル、黒、赤、青
COLOR: NATURAL, BLACK, RED, BLUE
- 嵌合相手:
ハウジング: 502351-**0*
錫メッキ端子: 50212-8*00, 50372-8*00, 560085-0101
金メッキ端子: 56161-8*81
MATES WITH
HOUSING: 502351-**0*
SN PLATING TERMINAL: 50212-8*00, 50372-8*00, 560085-0101
AU PLATING TERMINAL: 56161-8*81

- インボス梱包品の詳細はSD-560020-002参照
DETAILED TAPING PACKAGE, SEE SD-560020-002
- 半田付け面のコプラナリティ: 0.1mm MAX.
CO-PLANARITY OF SOLDER TAILS TO BE 0.1mm MAX.
- 一般公差
GENERAL TOLERANCES
10 UNDER: ±0.2
10 OVER 30 UNDER: ±0.25
30 OVER: ±0.3
ANGULAR: ±1°

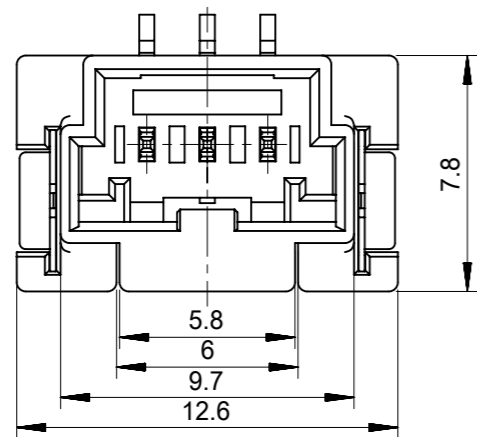
INITIAL REVISION:

| | | |
|-------|------------|------------|
| DRWN | SHSHIBATA | 2009/02/18 |
| CHECK | HKOMATSU | 2009/02/18 |
| APPR | AKANESHIGE | 2009/02/18 |

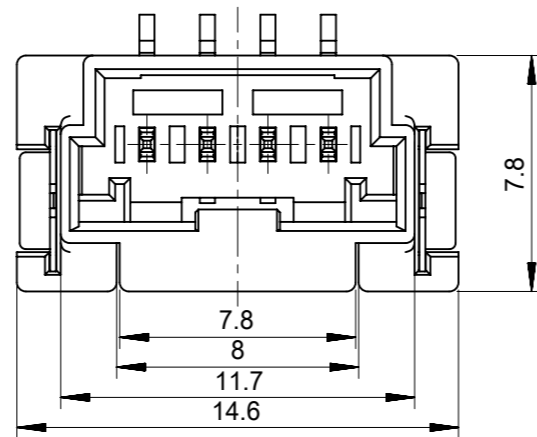
| | | | | | |
|------------------------|---|----------------|--|--------------|---------------------------|
| FUNCTIONAL SYMBOLS | THIS DRAWING CONTAINS INFORMATION THAT IS PROPRIETARY TO MOLEX ELECTRONIC TECHNOLOGIES, LLC AND SHOULD NOT BE USED WITHOUT WRITTEN PERMISSION | | SCALE | | CURRENT REV DESC: |
| | MM | INCH | 5:1 | | |
| DIVISIONAL SYMBOLS | GENERAL TOLERANCES (UNLESS SPECIFIED) | | EC NO: 635305 | | DRWN: MUNEMOTO 2020/04/02 |
| | 4 PLACES | ± | DRWN: HIIJIMA 2020/04/03 | | |
| FUNCTIONAL SYMBOLS | GENERAL TOLERANCES (UNLESS SPECIFIED) | | APPR: TOSADA 2020/04/06 | | DRWN: DRAWN BY 0099/99/99 |
| | 3 PLACES | ± | APPR: APPR BY 0099/99/99 | | |
| FUNCTIONAL SYMBOLS | GENERAL TOLERANCES (UNLESS SPECIFIED) | | INITIAL REVISION: | | DRWN: DRAWN BY 0099/99/99 |
| | 2 PLACES | ± | DRWN: DRAWN BY 0099/99/99 | | |
| FUNCTIONAL SYMBOLS | GENERAL TOLERANCES (UNLESS SPECIFIED) | | ANGULAR TOL | | DRWN: DRAWN BY 0099/99/99 |
| | 1 PLACE | ± | ANGULAR TOL | | |
| FUNCTIONAL SYMBOLS | GENERAL TOLERANCES (UNLESS SPECIFIED) | | DRAFT WHERE APPLICABLE MUST REMAIN WITHIN DIMENSIONS | | DRWN: DRAWN BY 0099/99/99 |
| | 0 PLACES | ± | DRAFT WHERE APPLICABLE MUST REMAIN WITHIN DIMENSIONS | | |
| THIRD ANGLE PROJECTION | | DRAWING | | SERIES | |
| THIRD ANGLE PROJECTION | | A3-SIZE | | 560020 | |
| DOCUMENT NUMBER | | CUSTOMER | | SHEET NUMBER | |
| SD-560020-001 | | GENERAL MARKET | | 1 OF 4 | |



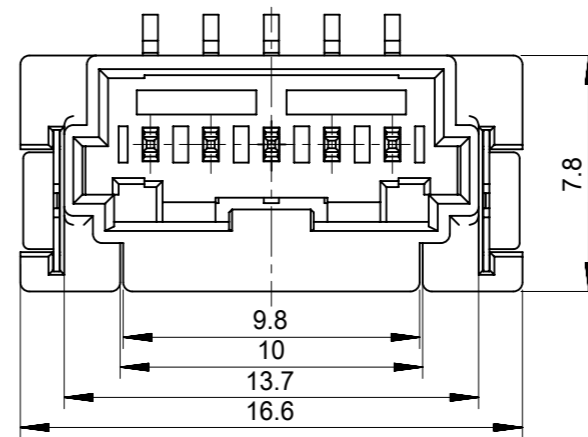
2CKTS



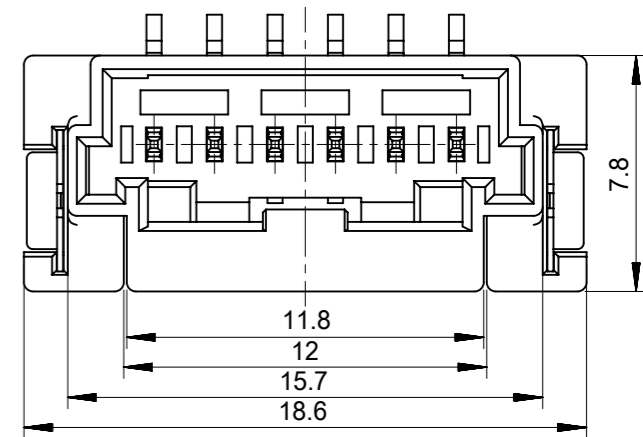
3CKTS



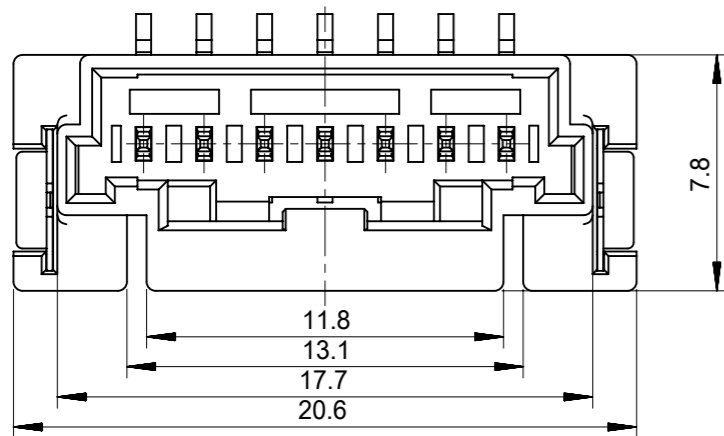
4CKTS



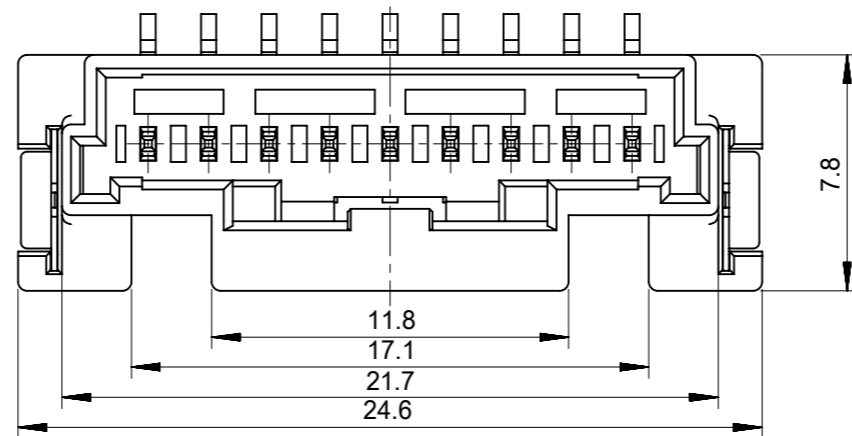
5CKTS



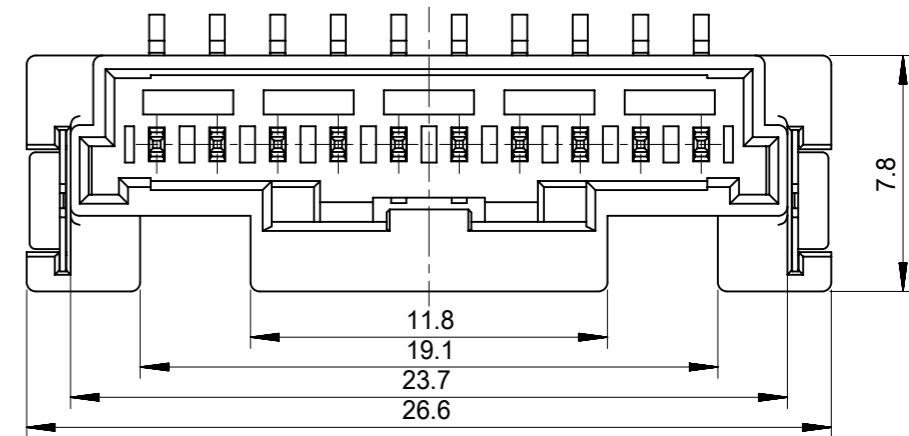
6CKTS



7CKTS



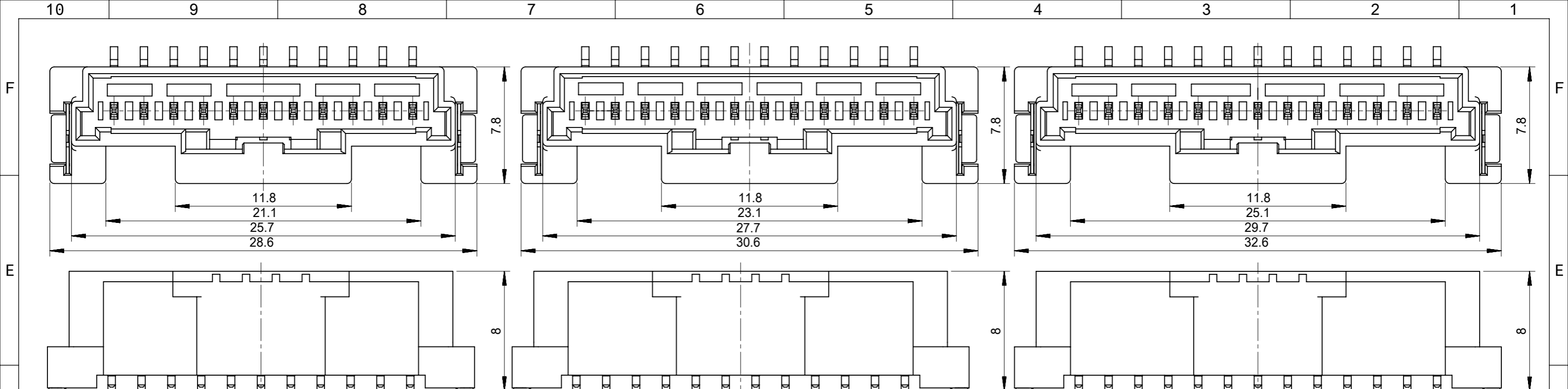
9CKTS



10CKTS

INITIAL REVISION:
 DRWN SHSHIBATA 2009/02/18
 CHECK HKOMATSU 2009/02/18
 APPR AKANESHIGE 2009/02/18

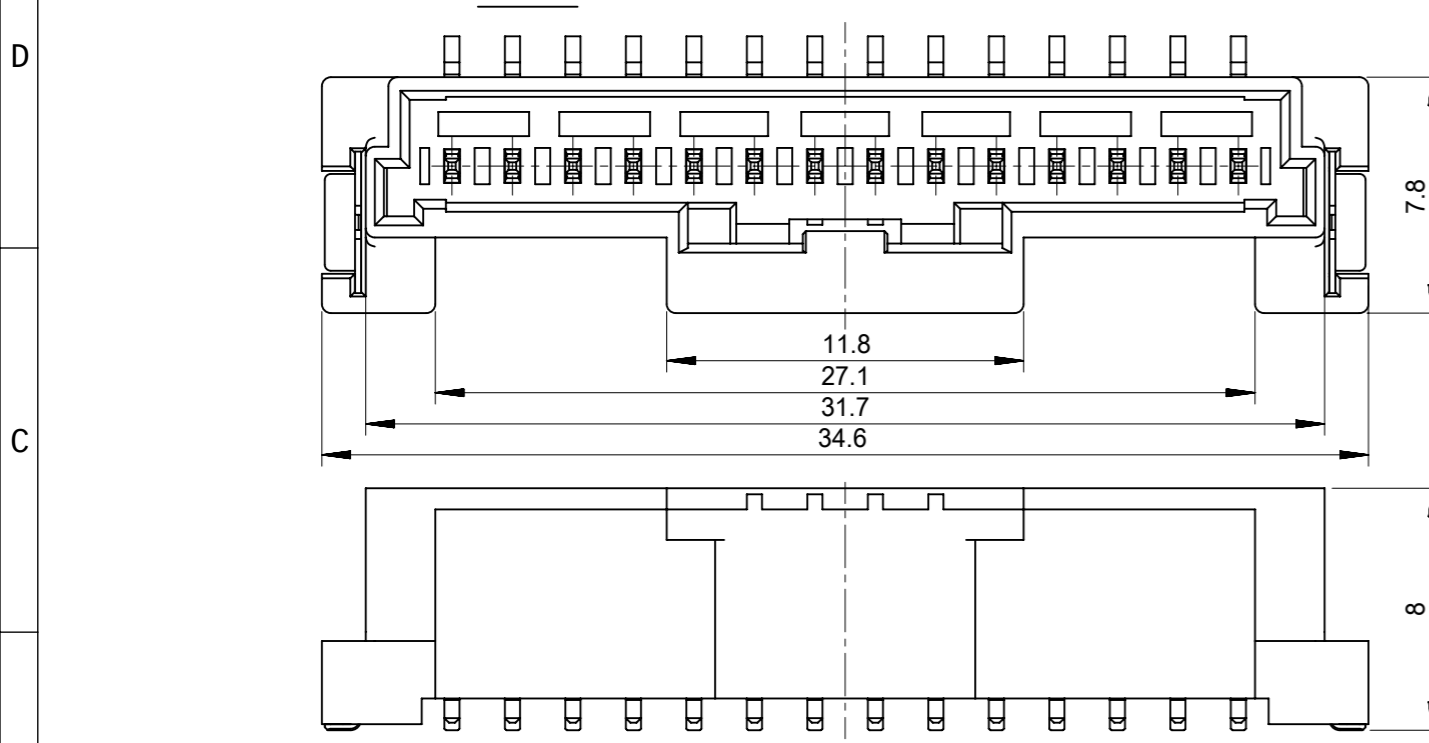
| | | | | | |
|--|---|---------------------------------------|--------|---------------------------|----------------|
| FUNCTIONAL SYMBOLS FA = 0 FB = 0 FC = 0 | THIS DRAWING CONTAINS INFORMATION THAT IS PROPRIETARY TO MOLEX ELECTRONIC TECHNOLOGIES, LLC AND SHOULD NOT BE USED WITHOUT WRITTEN PERMISSION | SCALE 4:1 | | CURRENT REV DESC: | |
| | DIMENSION UNITS mm | GENERAL TOLERANCES (UNLESS SPECIFIED) | | EC NO: 635305 | |
| DIVISIONAL SYMBOLS | | MM | INCH | DRWN: MUNEMOTO 2020/04/02 | 2020/04/03 |
| | 4 PLACES ± | | | CHK'D: HIJIMA | |
| | 3 PLACES ± | | | APPR: TOSADA | 2020/04/06 |
| | 2 PLACES ± | | | INITIAL REVISION: | |
| | 1 PLACE ± | | | DRWN: DRAWN BY | 0099/99/99 |
| | 0 PLACES ± | | | APPR: APPR BY | 0099/99/99 |
| | ANGULAR TOL ± ° | | | | |
| DRAFT WHERE APPLICABLE MUST REMAIN WITHIN DIMENSIONS | THIRD ANGLE PROJECTION | DRAWING | SERIES | MATERIAL NUMBER | CUSTOMER |
| | | A3-SIZE | 560020 | | GENERAL MARKET |
| | | DOCUMENT NUMBER | | DOC TYPE | DOC PART |
| | | SD-560020-001 | | PSD | 001 |
| | | SHEET NUMBER | | REVISION | |
| | | 2 OF 4 | | K | |



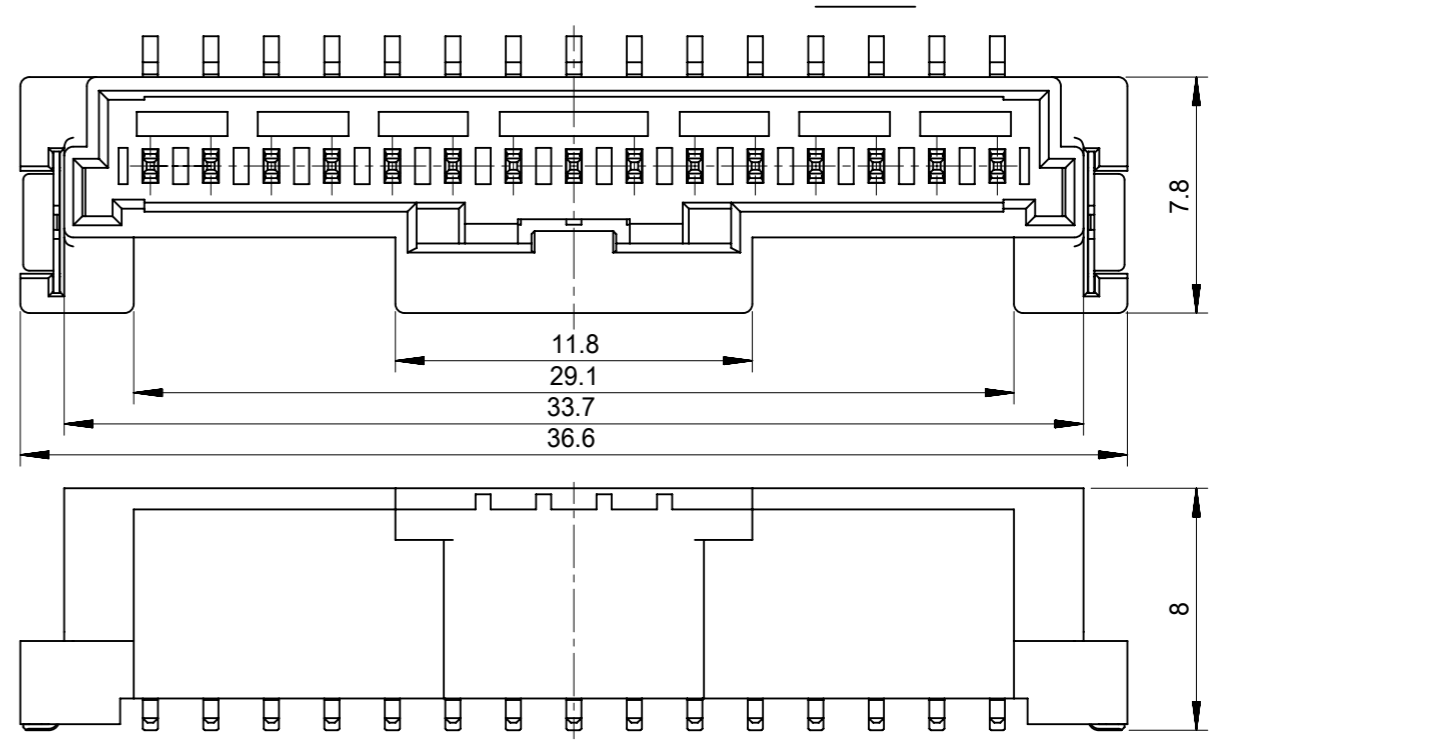
11CKTS

12CKTS

13CKTS



14CKTS



15CKTS

INITIAL REVISION:
 DRWN SHSHIBATA 2009/02/18
 CHECK HKOMATSU 2009/02/18
 APPR AKANESHIGE 2009/02/18

| | | | | | |
|--|---|------------------------|-------------------|--------|--|
| FUNCTIONAL SYMBOLS FA = 0 FB = 0 FP = 0 | THIS DRAWING CONTAINS INFORMATION THAT IS PROPRIETARY TO MOLEX ELECTRONIC TECHNOLOGIES, LLC AND SHOULD NOT BE USED WITHOUT WRITTEN PERMISSION | | CURRENT REV DESC: | | |
| | DIMENSION UNITS mm | SCALE 4:1 | | | |
| DIVISIONAL SYMBOLS | GENERAL TOLERANCES (UNLESS SPECIFIED) | | EC NO: 635305 | | 2020/04/02 2020/04/03 2020/04/06 |
| | 4 PLACES ± | MM INCH | DRWN: MUNEMOTO | | |
| | 3 PLACES ± | | CHK'D: HIJIMA | | 0099/99/99 |
| | 2 PLACES ± | | APPR: TOSADA | | 0099/99/99 |
| | 1 PLACE ± | | INITIAL REVISION: | | |
| | 0 PLACES ± | | DRWN: DRAWN BY | | |
| | ANGULAR TOL ± ° | | APPR: APPR BY | | |
| DRAFT WHERE APPLICABLE MUST REMAIN WITHIN DIMENSIONS | | THIRD ANGLE PROJECTION | DRAWING | SERIES | MATERIAL NUMBER |
| | | | A3-SIZE | 560020 | CUSTOMER |
| | | | | | GENERAL MARKET |
| | | | | | SHEET NUMBER |
| | | | | | 3 OF 4 |

| | | | | | | |
|----------------------------------|------|------|------|------|----------------------------|------|
| Sn NATURAL | 11.8 | 29.1 | 33.7 | 36.6 | 560020-1520 | 15 |
| | 11.8 | 27.1 | 31.7 | 34.6 | 560020-1420 | 14 |
| | 11.8 | 25.1 | 29.7 | 32.6 | 560020-1320 | 13 |
| | 11.8 | 23.1 | 27.7 | 30.6 | 560020-1220 | 12 |
| | 11.8 | 21.1 | 25.7 | 28.6 | 560020-1120 | 11 |
| | 11.8 | 19.1 | 23.7 | 26.6 | 560020-1020 | 10 |
| | 11.8 | 17.1 | 21.7 | 24.6 | 560020-0920 | 9 |
| | 11.8 | 15.1 | 19.7 | 22.6 | 560020-0820 | 8 |
| | 11.8 | 13.1 | 17.7 | 20.6 | 560020-0720 | 7 |
| | 11.8 | 12 | 15.7 | 18.6 | 560020-0620 | 6 |
| | 9.8 | 10 | 13.7 | 16.6 | 560020-0520 | 5 |
| | 7.8 | 8 | 11.7 | 14.6 | 560020-0420 | 4 |
| | 5.8 | 6 | 9.7 | 12.6 | 560020-0320 | 3 |
| | 6.3 | / | 8.0 | 10.9 | 560020-0220 | 2 |
| PLATING COLOR | D | C | B | A | EMBOSSED PACKAGE ORDER NO. | CKTS |
| CONNECTOR SERIES NO. 560020-**08 | | | | | | |

| | | | | | | |
|----------------------------------|------|------|------|------|----------------------------|------|
| Au NATURAL | 11.8 | 29.1 | 33.7 | 36.6 | 560020-1530 | 15 |
| | 11.8 | 27.1 | 31.7 | 34.6 | 560020-1430 | 14 |
| | 11.8 | 25.1 | 29.7 | 32.6 | 560020-1330 | 13 |
| | 11.8 | 23.1 | 27.7 | 30.6 | 560020-1230 | 12 |
| | 11.8 | 21.1 | 25.7 | 28.6 | 560020-1130 | 11 |
| | 11.8 | 19.1 | 23.7 | 26.6 | 560020-1030 | 10 |
| | 11.8 | 17.1 | 21.7 | 24.6 | 560020-0930 | 9 |
| | 11.8 | 15.1 | 19.7 | 22.6 | 560020-0830 | 8 |
| | 11.8 | 13.1 | 17.7 | 20.6 | 560020-0730 | 7 |
| | 11.8 | 12 | 15.7 | 18.6 | 560020-0630 | 6 |
| | 9.8 | 10 | 13.7 | 16.6 | 560020-0530 | 5 |
| | 7.8 | 8 | 11.7 | 14.6 | 560020-0430 | 4 |
| | 5.8 | 6 | 9.7 | 12.6 | 560020-0330 | 3 |
| | 6.3 | / | 8.0 | 10.9 | 560020-0230 | 2 |
| PLATING COLOR | D | C | B | A | EMBOSSED PACKAGE ORDER NO. | CKTS |
| CONNECTOR SERIES NO. 560020-**18 | | | | | | |

| | | | | | | |
|----------------------------------|------|------|------|------|----------------------------|------|
| Sn BLACK | 11.8 | 29.1 | 33.7 | 36.6 | 560020-1521 | 15 |
| | 11.8 | 27.1 | 31.7 | 34.6 | 560020-1421 | 14 |
| | 11.8 | 25.1 | 29.7 | 32.6 | 560020-1321 | 13 |
| | 11.8 | 23.1 | 27.7 | 30.6 | 560020-1221 | 12 |
| | 11.8 | 21.1 | 25.7 | 28.6 | 560020-1121 | 11 |
| | 11.8 | 19.1 | 23.7 | 26.6 | 560020-1021 | 10 |
| | 11.8 | 17.1 | 21.7 | 24.6 | 560020-0921 | 9 |
| | 11.8 | 15.1 | 19.7 | 22.6 | 560020-0821 | 8 |
| | 11.8 | 13.1 | 17.7 | 20.6 | 560020-0721 | 7 |
| | 11.8 | 12 | 15.7 | 18.6 | 560020-0621 | 6 |
| | 9.8 | 10 | 13.7 | 16.6 | 560020-0521 | 5 |
| | 7.8 | 8 | 11.7 | 14.6 | 560020-0421 | 4 |
| | 5.8 | 6 | 9.7 | 12.6 | 560020-0321 | 3 |
| | 6.3 | / | 8.0 | 10.9 | 560020-0221 | 2 |
| PLATING COLOR | D | C | B | A | EMBOSSED PACKAGE ORDER NO. | CKTS |
| CONNECTOR SERIES NO. 560020-**28 | | | | | | |

| | | | | | | |
|----------------------------------|------|------|------|------|----------------------------|------|
| Sn RED | / | / | / | / | / | 15 |
| | / | / | / | / | / | 14 |
| | / | / | / | / | / | 13 |
| | / | / | / | / | / | 12 |
| | / | / | / | / | / | 11 |
| | / | / | / | / | / | 10 |
| | / | / | / | / | / | 9 |
| | 11.8 | 15.1 | 19.7 | 22.6 | 560020-0822 | 8 |
| | / | / | / | / | / | 7 |
| | 11.8 | 12 | 15.7 | 18.6 | 560020-0622 | 6 |
| | / | / | / | / | / | 5 |
| | 7.8 | 8 | 11.7 | 14.6 | 560020-0422 | 4 |
| | 5.8 | 6 | 9.7 | 12.6 | 560020-0322 | 3 |
| | 6.3 | / | 8.0 | 10.9 | 560020-0222 | 2 |
| PLATING COLOR | D | C | B | A | EMBOSSED PACKAGE ORDER NO. | CKTS |
| CONNECTOR SERIES NO. 560020-**48 | | | | | | |

| | | | | | | |
|----------------------------------|------|------|------|------|----------------------------|------|
| Sn BLUE | / | / | / | / | / | 15 |
| | / | / | / | / | / | 14 |
| | / | / | / | / | / | 13 |
| | / | / | / | / | / | 12 |
| | / | / | / | / | / | 11 |
| | / | / | / | / | / | 10 |
| | / | / | / | / | / | 9 |
| | 11.8 | 15.1 | 19.7 | 22.6 | 560020-0823 | 8 |
| | / | / | / | / | / | 7 |
| | 11.8 | 12 | 15.7 | 18.6 | 560020-0623 | 6 |
| | / | / | / | / | / | 5 |
| | 7.8 | 8 | 11.7 | 14.6 | 560020-0423 | 4 |
| | 5.8 | 6 | 9.7 | 12.6 | 560020-0323 | 3 |
| | 6.3 | / | 8.0 | 10.9 | 560020-0223 | 2 |
| PLATING COLOR | D | C | B | A | EMBOSSED PACKAGE ORDER NO. | CKTS |
| CONNECTOR SERIES NO. 560020-**68 | | | | | | |

INITIAL REVISION:
 DRWN SHSHIBATA 2009/02/18
 CHECK HKOMATSU 2009/02/18
 APPR AKANESHIGE 2009/02/18

| | |
|--------------------|---|
| FUNCTIONAL SYMBOLS | THIS DRAWING CONTAINS INFORMATION THAT IS PROPRIETARY TO MOLEX ELECTRONIC TECHNOLOGIES, LLC AND SHOULD NOT BE USED WITHOUT WRITTEN PERMISSION |
| FA = 0 | SCALE: 1:1 |
| FB = 0 | GENERAL TOLERANCES (UNLESS SPECIFIED) |
| FC = 0 | MM INCH |
| DIVISIONAL SYMBOLS | 4 PLACES ± |
| | 3 PLACES ± |
| | 2 PLACES ± |
| | 1 PLACE ± |
| | 0 PLACES ± |
| | ANGULAR TOL ± ° |
| | DRAFT WHERE APPLICABLE MUST REMAIN WITHIN DIMENSIONS |
| | THIRD ANGLE PROJECTION |
| | DRAWING A3-SIZE |
| | SERIES 560020 |
| | MATERIAL NUMBER |
| | CUSTOMER GENERAL MARKET |
| | SHEET NUMBER 4 OF 4 |

molex

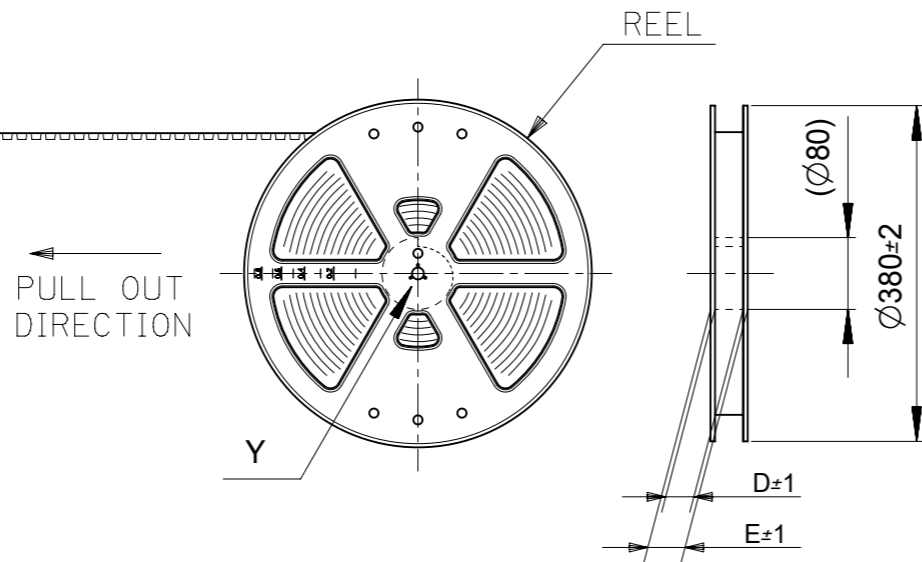
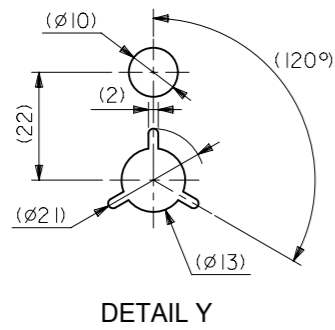
2.0MM PITCH W/B CONN.
WAFER ASSY ST. SMT

PRODUCT CUSTOMER DRAWING

DOCUMENT NUMBER: SD-560020-001 | DOC TYPE: PSD | DOC PART: 001 | REVISION: K

EC NO: 635305 | DRWN: MUNEMOTO 2020/04/02 | CHK'D: HIJIMA 2020/04/03 | APPR: TOSADA 2020/04/06

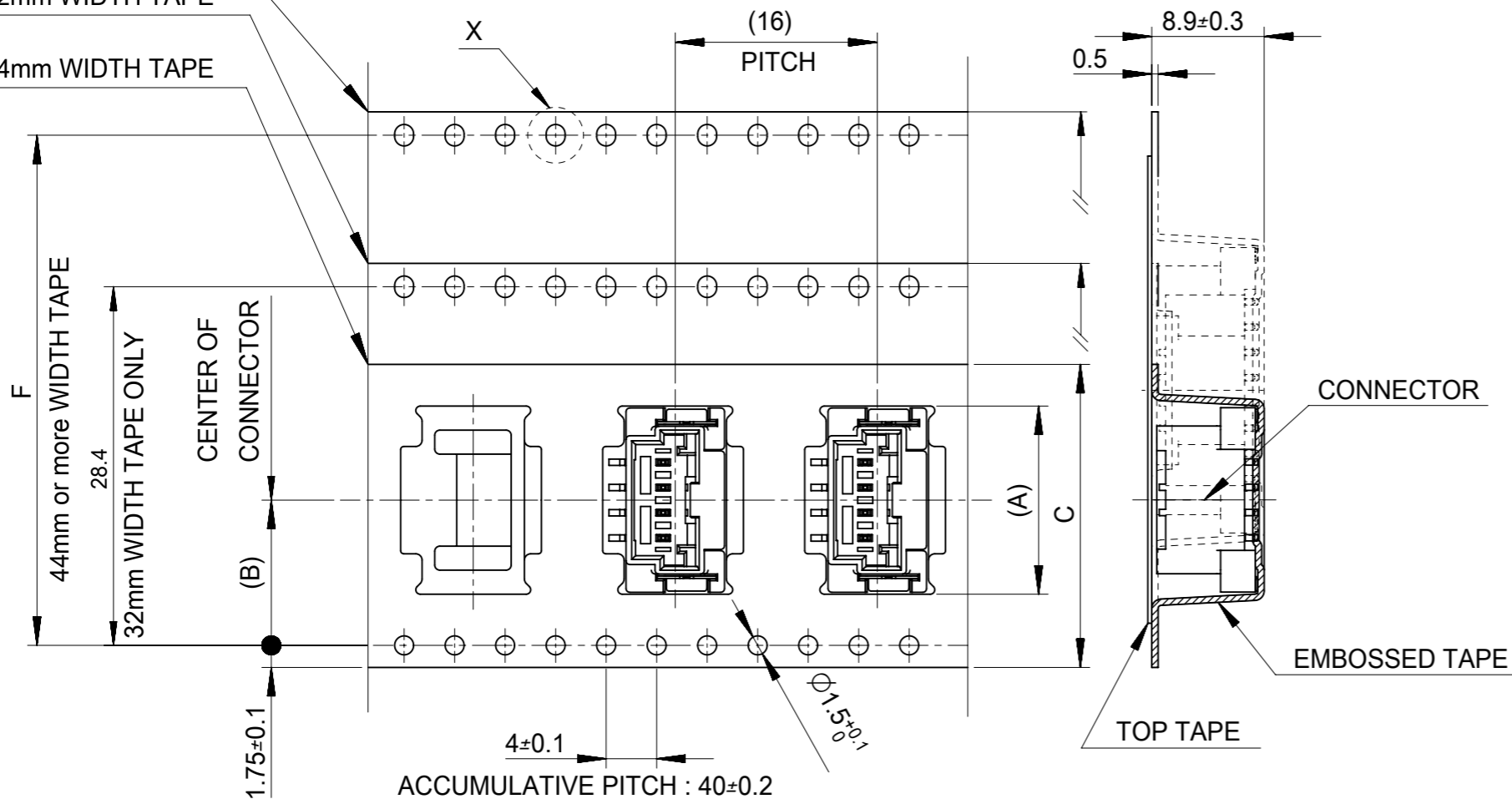
INITIAL REVISION:
 DRWN: DRAWN BY 0099/99/99
 APPR: APPR BY 0099/99/99



44mm or more
WIDTH TAPE

32mm WIDTH TAPE

24mm WIDTH TAPE



8.9±0.3
0.5

CONNECTOR

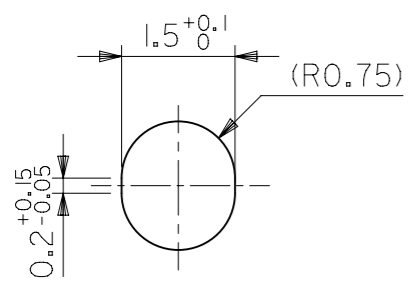
EMBOSSED TAPE

TOP TAPE

ACCUMULATIVE PITCH : 40±0.2

PULL OUT DIRECTION

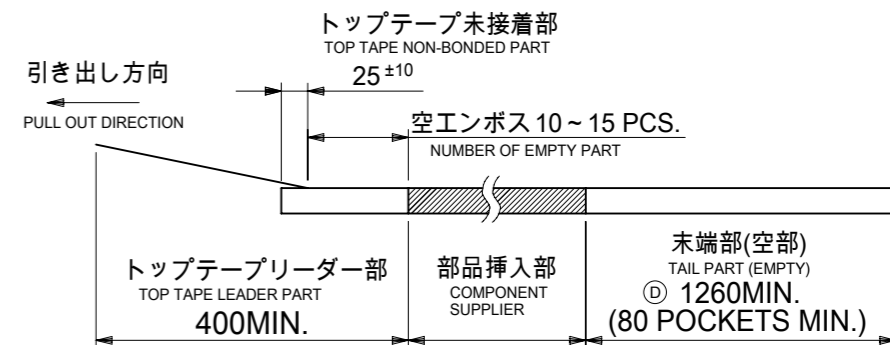
DIRECTION OF CONNECTOR
IN EMBOSSED TAPE



DETAIL X
(SCALE 10:1)

NOTES

- 製品番号 :
 ナチュラル・錫めっき 560020-**20
 ナチュラル・金めっき 560020-**30
 黒・錫めっき 560020-**21
 赤・錫めっき 560020-**22
 青・錫めっき 560020-**23
 詳細寸法については、製品単体図面を参照ください。
 PART NO.
 NATURAL・Sn Plating 5600020-**20
 NATURAL・Au Plating 560020-**30
 BLACK・Sn Plating 5600020-**21
 RED・Sn Plating 5600020-**22
 BLUE・Sn Plating 5600020-**23
 SEE SALES DRAWING FOR CONNECTOR
- 梱包数量 : 650個/REEL
 NUMBER OF CONNECTORS 650 PCS/REEL
- リードテープ長さ
 LEAD TAPE LENGTH



- 材料
 MATERIAL
 キャリアテープ : ポリスチレン
 CARRIER TAPE: POLYSTYRENE
 トップテープ : PET, PE, PEF
 TOP TAPE
 リール : ポリスチレン
 REEL: POLYSTYRENE
- 一般公差
 GENERAL TOLERANCES
 10 UNDER: ±0.2
 10 OVER 30 UNDER: ±0.25
 30 OVER: ±0.3
 ANGULAR: ±1°

| | | | | | |
|---|-------|------------------------|---------|--|-----------------|
| THIS DRAWING CONTAINS INFORMATION THAT IS PROPRIETARY TO MOLEX ELECTRONIC TECHNOLOGIES, LLC AND SHOULD NOT BE USED WITHOUT WRITTEN PERMISSION | | CURRENT REV DESC: | | molex | |
| DIMENSION UNITS | SCALE | | | | |
| mm | NTS | | | 2.0MM PITCH W/B ST. WAFER ASSY EMBOSSSED TAPE PACKAGE | |
| GENERAL TOLERANCES (UNLESS SPECIFIED) | | | | PRODUCT CUSTOMER DRAWING | |
| | | | | DOCUMENT NUMBER | |
| | | | | SD-560020-003 | |
| | | | | DOC TYPE | |
| | | | | PSD | |
| | | | | DOC PART | |
| | | | | 001 | |
| | | | | REVISION | |
| | | | | F1 | |
| DRAFT WHERE APPLICABLE MUST REMAIN WITHIN DIMENSIONS | | THIRD ANGLE PROJECTION | DRAWING | SERIES | MATERIAL NUMBER |
| | | | A3-SIZE | 560020 | SEE CHART |
| | | | | | CUSTOMER |
| | | | | | GENERAL MARKET |
| | | | | | SHEET NUMBER |
| | | | | | 1 OF 2 |

| | | | | | | | | |
|---------------|------|------|------|------|------|-------------|---|----------|
| Sn NATURAL | 52.4 | 61.4 | 57.4 | 56 | 26.2 | 36.9 | 560020-1520 | 15 |
| | | | | | | 34.9 | 560020-1420 | 14 |
| | | | | | | 32.9 | 560020-1320 | 13 |
| | 40.4 | 49.4 | 45.4 | 44 | 20.2 | 30.9 | 560020-1220 | 12 |
| | | | | | | 28.9 | 560020-1120 | 11 |
| | | | | | | 26.9 | 560020-1020 | 10 |
| | | | | | | 24.9 | 560020-0920 | 09 |
| | | | | | | 22.9 | 560020-0820 | 08 |
| | | | | | | 20.9 | 560020-0720 | 07 |
| | | | | | | 18.9 | 560020-0620 | 06 |
| | 28.4 | 37.4 | 33.4 | 32 | 14.2 | 16.9 | 560020-0520 | 05 |
| | | | | | | 14.9 | 560020-0420 | 04 |
| | | | | | | 12.9 | 560020-0320 | 03 |
| | 29.4 | 25.4 | 24 | 11.5 | 11.2 | 560020-0220 | 02 | |
| PLATING COLOR | F | E | D | C | (B) | (A) | エンボス梱包品 製品番号 EMBOSSED PACKAGE MATERIAL NO. | CIRCUITS |

| | | | | | | | | |
|---------------|------|------|------|------|------|-------------|---|----------|
| Au NATURAL | 52.4 | 61.4 | 57.4 | 56 | 26.2 | 36.9 | 560020-1530 | 15 |
| | | | | | | 34.9 | 560020-1430 | 14 |
| | | | | | | 32.9 | 560020-1330 | 13 |
| | 40.4 | 49.4 | 45.4 | 44 | 20.2 | 30.9 | 560020-1230 | 12 |
| | | | | | | 28.9 | 560020-1130 | 11 |
| | | | | | | 26.9 | 560020-1030 | 10 |
| | | | | | | 24.9 | 560020-0930 | 09 |
| | | | | | | 22.9 | 560020-0830 | 08 |
| | | | | | | 20.9 | 560020-0730 | 07 |
| | | | | | | 18.9 | 560020-0630 | 06 |
| | 28.4 | 37.4 | 33.4 | 32 | 14.2 | 16.9 | 560020-0530 | 05 |
| | | | | | | 14.9 | 560020-0430 | 04 |
| | | | | | | 12.9 | 560020-0330 | 03 |
| | 29.4 | 25.4 | 24 | 11.5 | 11.2 | 560020-0230 | 02 | |
| PLATING COLOR | F | E | D | C | (B) | (A) | エンボス梱包品 製品番号 EMBOSSED PACKAGE MATERIAL NO. | CIRCUITS |

| | | | | | | | | |
|---------------|------|------|------|------|------|-------------|---|----------|
| Sn BLACK | 52.4 | 61.4 | 57.4 | 56 | 26.2 | 36.9 | 560020-1521 | 15 |
| | | | | | | 34.9 | 560020-1421 | 14 |
| | | | | | | 32.9 | 560020-1321 | 13 |
| | 40.4 | 49.4 | 45.4 | 44 | 20.2 | 30.9 | 560020-1221 | 12 |
| | | | | | | 28.9 | 560020-1121 | 11 |
| | | | | | | 26.9 | 560020-1021 | 10 |
| | | | | | | 24.9 | 560020-0921 | 09 |
| | | | | | | 22.9 | 560020-0821 | 08 |
| | | | | | | 20.9 | 560020-0721 | 07 |
| | | | | | | 18.9 | 560020-0621 | 06 |
| | 28.4 | 37.4 | 33.4 | 32 | 14.2 | 16.9 | 560020-0521 | 05 |
| | | | | | | 14.9 | 560020-0421 | 04 |
| | | | | | | 12.9 | 560020-0321 | 03 |
| | 29.4 | 25.4 | 24 | 11.5 | 11.2 | 560020-0221 | 02 | |
| PLATING COLOR | F | E | D | C | (B) | (A) | エンボス梱包品 製品番号 EMBOSSED PACKAGE MATERIAL NO. | CIRCUITS |

| | | | | | | | | |
|---------------|------|------|------|------|------|-------------|---|----------|
| Sn RED | / | / | / | / | / | / | / | 15 |
| | / | / | / | / | / | / | / | 14 |
| | / | / | / | / | / | / | / | 13 |
| | 40.4 | 49.4 | 45.4 | 44 | 20.2 | / | / | 12 |
| | | | | | | / | / | 11 |
| | | | | | | / | / | 10 |
| | | | | | | / | / | 09 |
| | | | | | | 22.9 | 560020-0822 | 08 |
| | | | | | | / | / | 07 |
| | | | | | | 18.9 | 560020-0622 | 06 |
| | 28.4 | 37.4 | 33.4 | 32 | 14.2 | / | / | 05 |
| | | | | | | 14.9 | 560020-0422 | 04 |
| | | | | | | 12.9 | 560020-0322 | 03 |
| | 29.4 | 25.4 | 24 | 11.5 | 11.2 | 560020-0222 | 02 | |
| PLATING COLOR | F | E | D | C | (B) | (A) | エンボス梱包品 製品番号 EMBOSSED PACKAGE MATERIAL NO. | CIRCUITS |

| | | | | | | | | |
|---------------|------|------|------|------|------|-------------|---|----------|
| Sn BLUE | / | / | / | / | / | / | / | 15 |
| | / | / | / | / | / | / | / | 14 |
| | / | / | / | / | / | / | / | 13 |
| | 40.4 | 49.4 | 45.4 | 44 | 20.2 | / | / | 12 |
| | | | | | | / | / | 11 |
| | | | | | | / | / | 10 |
| | | | | | | / | / | 09 |
| | | | | | | 22.9 | 560020-0823 | 08 |
| | | | | | | / | / | 07 |
| | | | | | | 18.9 | 560020-0623 | 06 |
| | 28.4 | 37.4 | 33.4 | 32 | 14.2 | / | / | 05 |
| | | | | | | 14.9 | 560020-0423 | 04 |
| | | | | | | 12.9 | 560020-0323 | 03 |
| | 29.4 | 25.4 | 24 | 11.5 | 11.2 | 560020-0223 | 02 | |
| PLATING COLOR | F | E | D | C | (B) | (A) | エンボス梱包品 製品番号 EMBOSSED PACKAGE MATERIAL NO. | CIRCUITS |

| | | | | | | | | | |
|---|--|------------------------|--|-------------------|--|--------------------------|--|---------------------------------------|--|
| THIS DRAWING CONTAINS INFORMATION THAT IS PROPRIETARY TO MOLEX ELECTRONIC TECHNOLOGIES, LLC AND SHOULD NOT BE USED WITHOUT WRITTEN PERMISSION | | | | | | | | | |
| DIMENSION UNITS | | SCALE | | CURRENT REV DESC: | | | | molex | |
| mm | | NTS | | | | | | | |
| GENERAL TOLERANCES (UNLESS SPECIFIED) | | | | | | | | | |
| | | MM | | INCH | | | | | |
| 4 PLACES | | ± | | ± | | EC NO: 629663 | | | |
| 3 PLACES | | ± | | ± | | DRWN: MSATO08 2019/12/26 | | | |
| 2 PLACES | | ± | | ± | | CHK'D: HIJIMA 2019/12/27 | | | |
| 1 PLACE | | ± | | ± | | APPR: TOSADA 2019/12/27 | | | |
| 0 PLACES | | ± | | ± | | INITIAL REVISION: | | | |
| ANGULAR TOL | | ± ° | | ± ° | | DRWN: YTAMAKI 2014/05/23 | | | |
| DRAFT WHERE APPLICABLE MUST REMAIN WITHIN DIMENSIONS | | THIRD ANGLE PROJECTION | | DRAWING | | SERIES | | DOCUMENT NUMBER | |
| | | | | A3-SIZE | | 560020 | | SD-560020-003 | |
| | | | | | | | | DOC TYPE DOC PART REVISION | |
| | | | | | | | | PSD 001 F1 | |
| | | | | | | | | MATERIAL NUMBER CUSTOMER SHEET NUMBER | |
| | | | | | | | | SEE CHART GENERAL MARKET 2 OF 2 | |