

注記  
NOTES

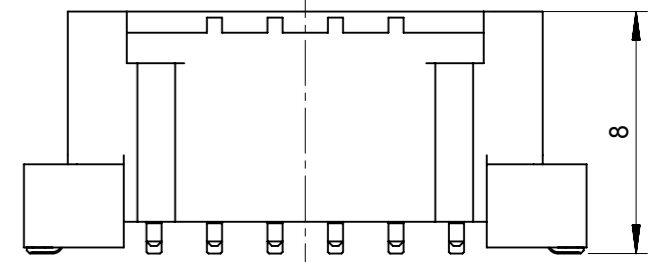
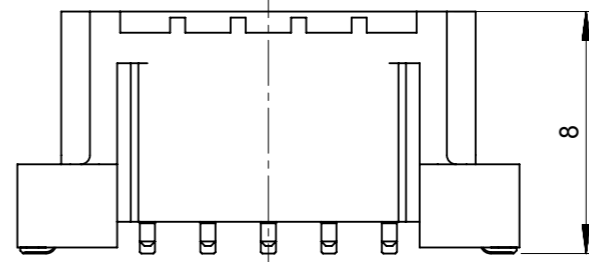
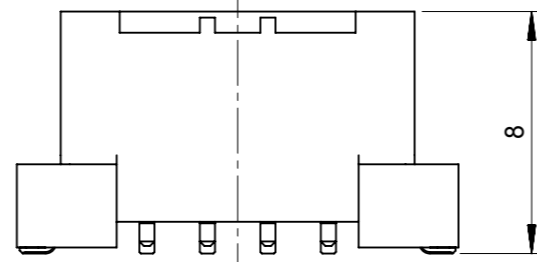
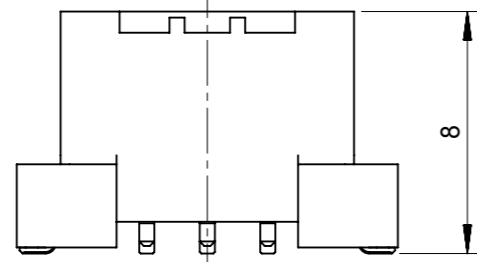
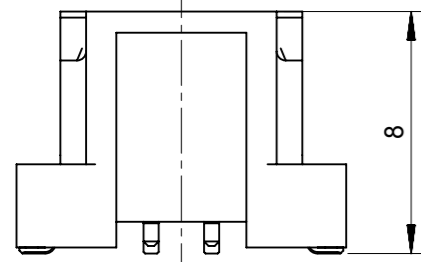
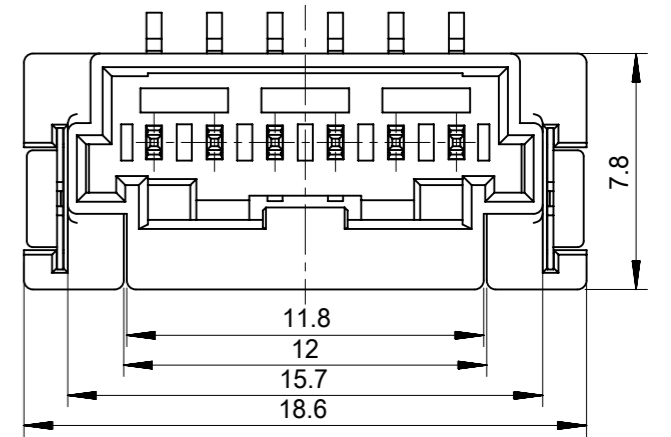
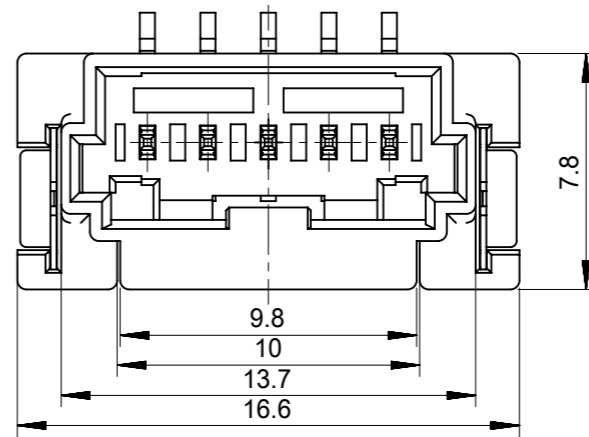
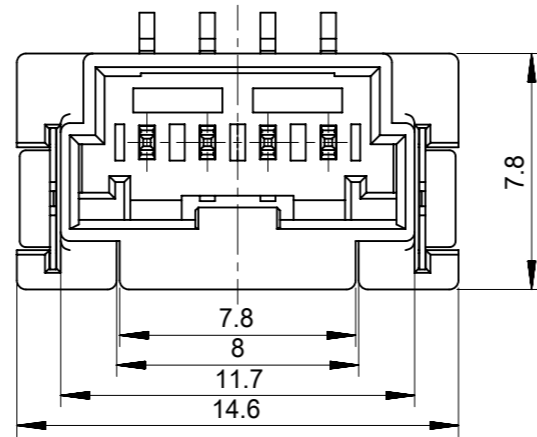
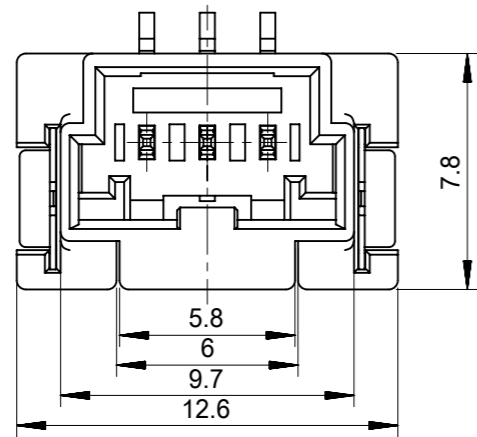
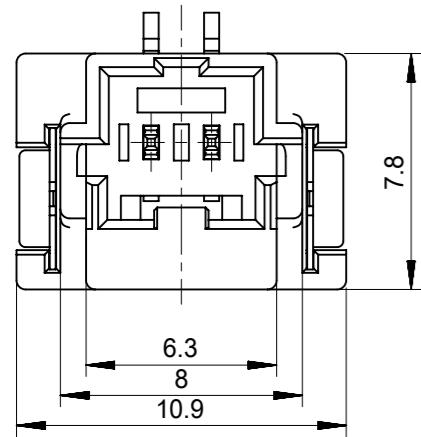
- 材質  
ウエハー: 耐熱性ナイロン UL94V-0  
ピン: 銅合金、ニッケル下地、錫メッキ、金メッキ  
フィッティングネール: 銅合金、ニッケル下地、錫メッキ  
MATERIAL  
WAFER: POLYAMIDE UL94V-0  
PIN: COPPER ALLOY, GOLD OR TIN OVER NICKEL PLATE.  
FITTING NAIL: COPPER ALLOY, TIN OVER NICKEL PLATE.
- 色: ナチュラル、黒、赤、青  
COLOR: NATURAL, BLACK, RED, BLUE
- 嵌合相手:  
ハウジング: 502351-\*\*0\*  
錫メッキ端子: 50212-8\*00, 50372-8\*00, 560085-0101  
金メッキ端子: 56161-8\*81  
MATES WITH  
HOUSING: 502351-\*\*0\*  
SN PLATING TERMINAL: 50212-8\*00, 50372-8\*00, 560085-0101  
AU PLATING TERMINAL: 56161-8\*81

- インボス梱包品の詳細はSD-560020-002参照  
DETAILED TAPING PACKAGE, SEE SD-560020-002
- 半田付け面のコプラナリティ: 0.1mm MAX.  
CO-PLANARITY OF SOLDER TAILS TO BE 0.1mm MAX.
- 一般公差  
GENERAL TOLERANCES  
10 UNDER: ±0.2  
10 OVER 30 UNDER: ±0.25  
30 OVER: ±0.3  
ANGULAR: ±1°

INITIAL REVISION:

DRWN	SHSHIBATA	2009/02/18
CHECK	HKOMATSU	2009/02/18
APPR	AKANESHIGE	2009/02/18

FUNCTIONAL SYMBOLS	THIS DRAWING CONTAINS INFORMATION THAT IS PROPRIETARY TO MOLEX ELECTRONIC TECHNOLOGIES, LLC AND SHOULD NOT BE USED WITHOUT WRITTEN PERMISSION		CURRENT REV DESC:	
	FA = 0	mm	SCALE	5:1
DIVISIONAL SYMBOLS	FE = 0	GENERAL TOLERANCES (UNLESS SPECIFIED)		
	FP = 0	4 PLACES ±	MM	INCH
EC NO: 635305		DRWN: MUNEMOTO 2020/04/02		
CHK'D: HIJIMA 2020/04/03		APPR: TOSADA 2020/04/06		
INITIAL REVISION:		DRWN: DRAWN BY 0099/99/99		
APPR: APPR BY 0099/99/99		SERIES		
DRAFT WHERE APPLICABLE MUST REMAIN WITHIN DIMENSIONS		THIRD ANGLE PROJECTION		DRAWING
		A3-SIZE		SERIES
		560020		MATERIAL NUMBER
DOCUMENT NUMBER		CUSTOMER		SHEET NUMBER
SD-560020-001		GENERAL MARKET		1 OF 4



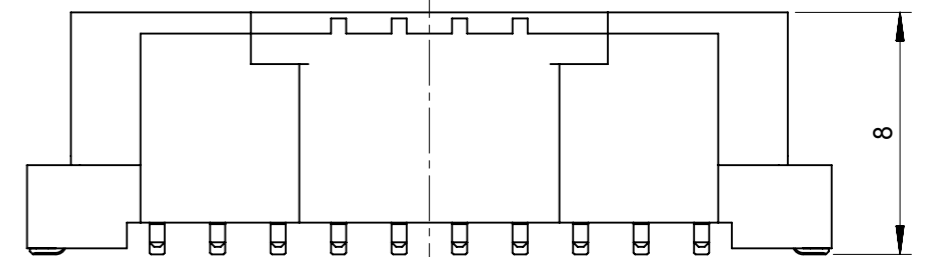
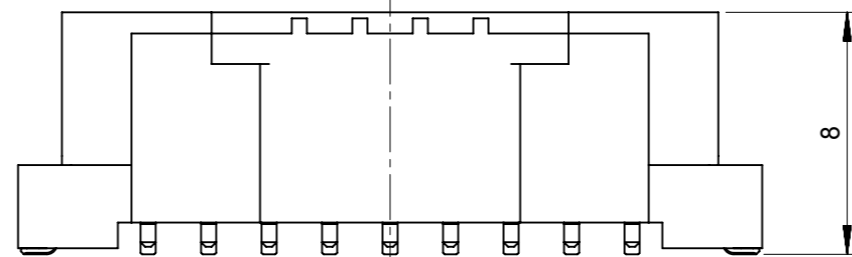
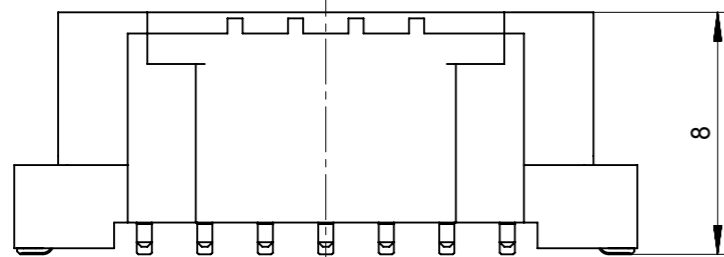
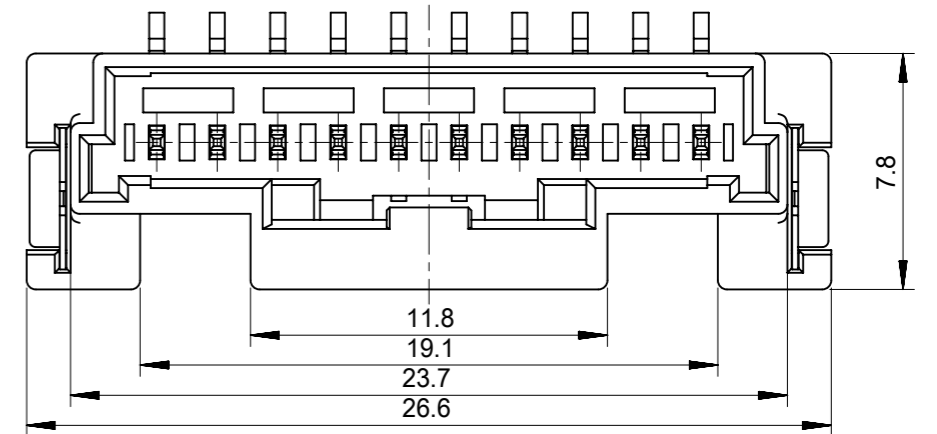
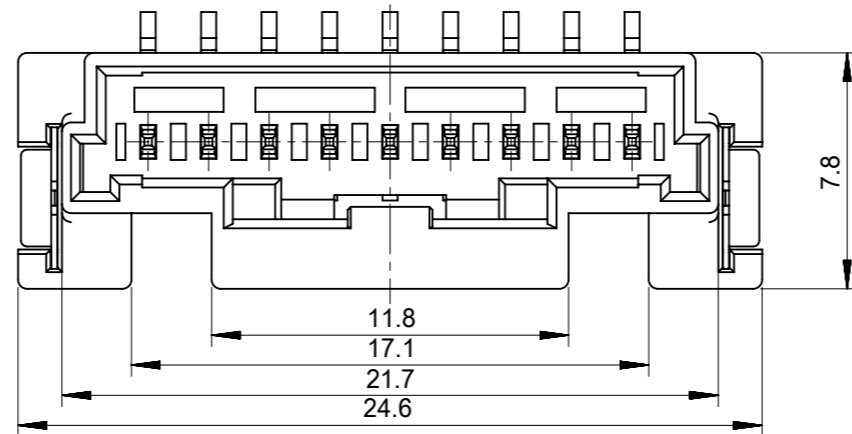
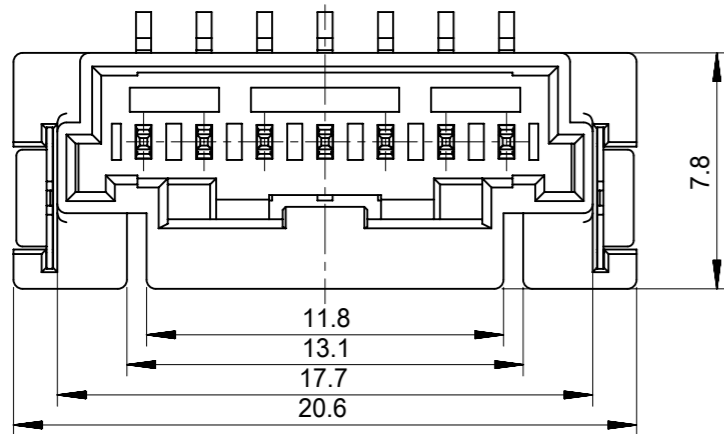
2CKTS

3CKTS

4CKTS

5CKTS

6CKTS



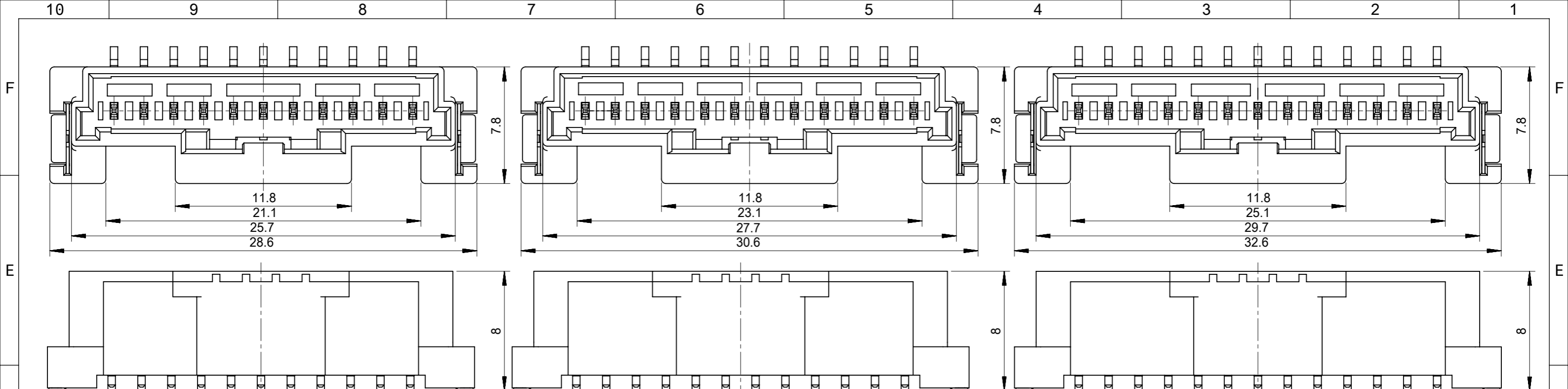
7CKTS

9CKTS

10CKTS

INITIAL REVISION:  
 DRWN SHSHIBATA 2009/02/18  
 CHECK HKOMATSU 2009/02/18  
 APPR AKANESHIGE 2009/02/18

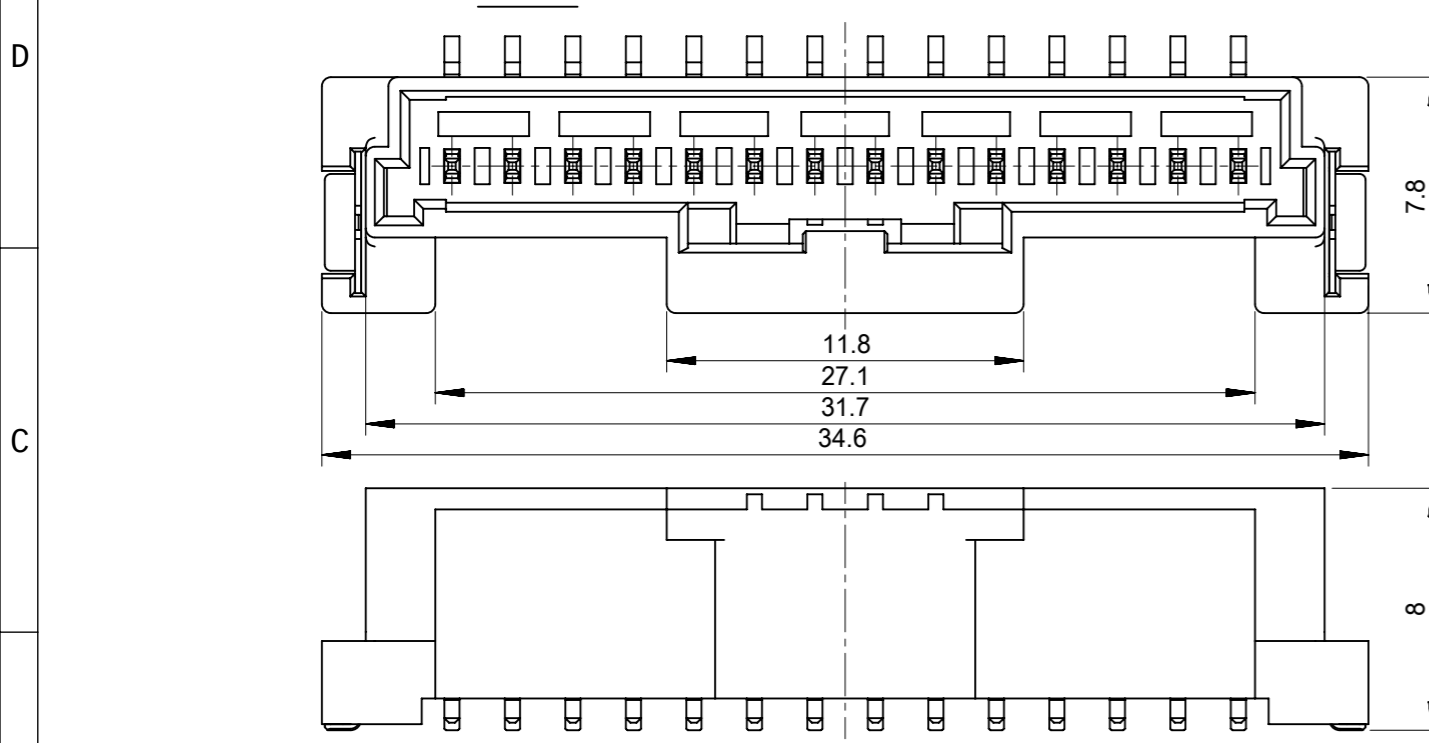
FUNCTIONAL SYMBOLS FA = 0 FB = 0 FC = 0	THIS DRAWING CONTAINS INFORMATION THAT IS PROPRIETARY TO MOLEX ELECTRONIC TECHNOLOGIES, LLC AND SHOULD NOT BE USED WITHOUT WRITTEN PERMISSION	SCALE 4:1		CURRENT REV DESC:	
	DIMENSION UNITS mm	GENERAL TOLERANCES (UNLESS SPECIFIED)		EC NO: 635305	
DIVISIONAL SYMBOLS	MM		INCH		DRWN: MUNEMOTO 2020/04/02
	4 PLACES ±	3 PLACES ±	2 PLACES ±	1 PLACE ±	0 PLACES ±
ANGULAR TOL ± °		THIRD ANGLE PROJECTION		CHK'D: HIJIMA 2020/04/03	
DRAFT WHERE APPLICABLE MUST REMAIN WITHIN DIMENSIONS		DRAWING		SERIES	
		A3-SIZE		560020	
MOLEX			2.0MM PITCH W/B CONN. WAFER ASSY ST. SMT		
PRODUCT CUSTOMER DRAWING			DOCUMENT NUMBER		
INITIAL REVISION:			DOC TYPE		
DRWN: DRAWN BY 0099/99/99			PSD		
APPR: APPR BY 0099/99/99			DOC PART		
			001		
			REVISION		
			K		
			MATERIAL NUMBER		SHEET NUMBER
			GENERAL MARKET		2 OF 4



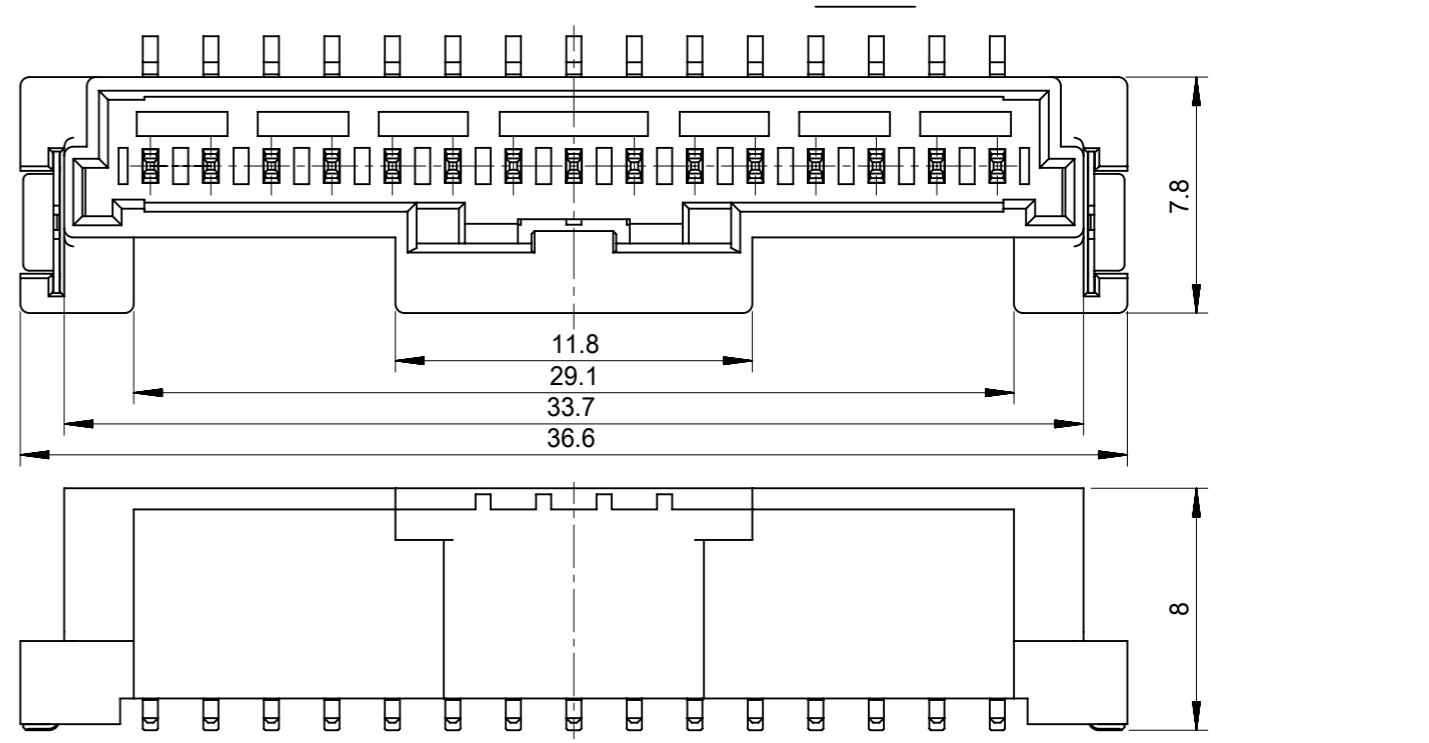
11CKTS

12CKTS

13CKTS



14CKTS



15CKTS

INITIAL REVISION:  
 DRWN SHSHIBATA 2009/02/18  
 CHECK HKOMATSU 2009/02/18  
 APPR AKANESHIGE 2009/02/18

FUNCTIONAL SYMBOLS FA = 0 FB = 0 FP = 0	THIS DRAWING CONTAINS INFORMATION THAT IS PROPRIETARY TO MOLEX ELECTRONIC TECHNOLOGIES, LLC AND SHOULD NOT BE USED WITHOUT WRITTEN PERMISSION		CURRENT REV DESC:		
	DIMENSION UNITS	SCALE	EC NO: 635305		
	mm	4:1	DRWN: MUNEMOTO 2020/04/02		2.0MM PITCH W/B CONN. WAFER ASSY ST. SMT
	GENERAL TOLERANCES (UNLESS SPECIFIED)		CHK'D: HIJIMA 2020/04/03		
			APPR: TOSADA 2020/04/06		PRODUCT CUSTOMER DRAWING
DIVISIONAL SYMBOLS			INITIAL REVISION:		
			DRWN: DRAWN BY 0099/99/99		DOCUMENT NUMBER
			APPR: APPR BY 0099/99/99		SD-560020-001
			DRAFT WHERE APPLICABLE MUST REMAIN WITHIN DIMENSIONS		DOC TYPE
			THIRD ANGLE PROJECTION		PSD
			DRAWING		DOC PART
			A3-SIZE		001
			SERIES		REVISION
			560020		K
			MATERIAL NUMBER		SHEET NUMBER
			CUSTOMER		3 OF 4
			GENERAL MARKET		

Sn NATURAL	11.8	29.1	33.7	36.6	560020-1520	15
	11.8	27.1	31.7	34.6	560020-1420	14
	11.8	25.1	29.7	32.6	560020-1320	13
	11.8	23.1	27.7	30.6	560020-1220	12
	11.8	21.1	25.7	28.6	560020-1120	11
	11.8	19.1	23.7	26.6	560020-1020	10
	11.8	17.1	21.7	24.6	560020-0920	9
	11.8	15.1	19.7	22.6	560020-0820	8
	11.8	13.1	17.7	20.6	560020-0720	7
	11.8	12	15.7	18.6	560020-0620	6
	9.8	10	13.7	16.6	560020-0520	5
	7.8	8	11.7	14.6	560020-0420	4
	5.8	6	9.7	12.6	560020-0320	3
	6.3	/	8.0	10.9	560020-0220	2
PLATING COLOR	D	C	B	A	EMBOSSED PACKAGE ORDER NO.	CKTS
CONNECTOR SERIES NO. 560020-**08						

Au NATURAL	11.8	29.1	33.7	36.6	560020-1530	15
	11.8	27.1	31.7	34.6	560020-1430	14
	11.8	25.1	29.7	32.6	560020-1330	13
	11.8	23.1	27.7	30.6	560020-1230	12
	11.8	21.1	25.7	28.6	560020-1130	11
	11.8	19.1	23.7	26.6	560020-1030	10
	11.8	17.1	21.7	24.6	560020-0930	9
	11.8	15.1	19.7	22.6	560020-0830	8
	11.8	13.1	17.7	20.6	560020-0730	7
	11.8	12	15.7	18.6	560020-0630	6
	9.8	10	13.7	16.6	560020-0530	5
	7.8	8	11.7	14.6	560020-0430	4
	5.8	6	9.7	12.6	560020-0330	3
	6.3	/	8.0	10.9	560020-0230	2
PLATING COLOR	D	C	B	A	EMBOSSED PACKAGE ORDER NO.	CKTS
CONNECTOR SERIES NO. 560020-**18						

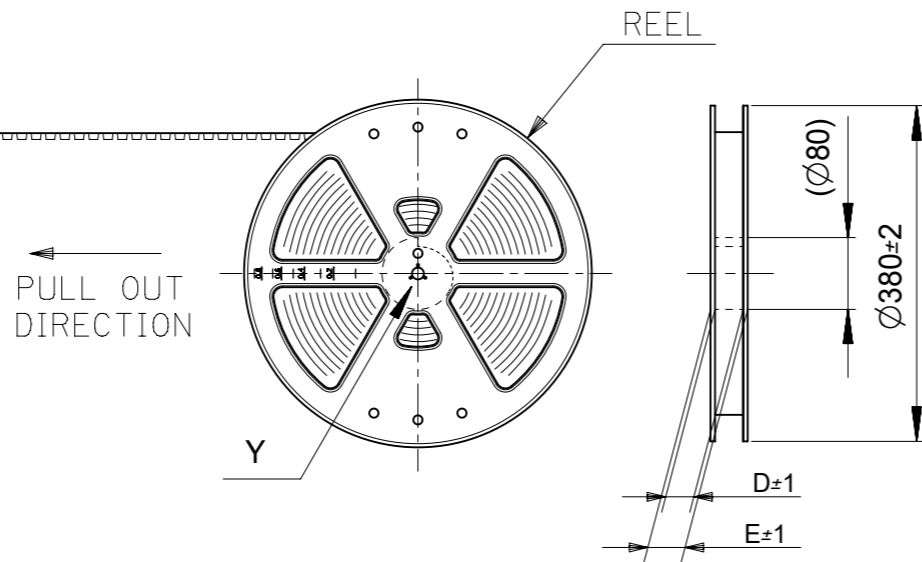
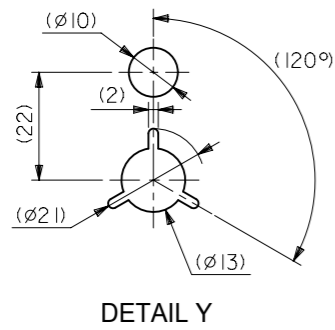
Sn BLACK	11.8	29.1	33.7	36.6	560020-1521	15
	11.8	27.1	31.7	34.6	560020-1421	14
	11.8	25.1	29.7	32.6	560020-1321	13
	11.8	23.1	27.7	30.6	560020-1221	12
	11.8	21.1	25.7	28.6	560020-1121	11
	11.8	19.1	23.7	26.6	560020-1021	10
	11.8	17.1	21.7	24.6	560020-0921	9
	11.8	15.1	19.7	22.6	560020-0821	8
	11.8	13.1	17.7	20.6	560020-0721	7
	11.8	12	15.7	18.6	560020-0621	6
	9.8	10	13.7	16.6	560020-0521	5
	7.8	8	11.7	14.6	560020-0421	4
	5.8	6	9.7	12.6	560020-0321	3
	6.3	/	8.0	10.9	560020-0221	2
PLATING COLOR	D	C	B	A	EMBOSSED PACKAGE ORDER NO.	CKTS
CONNECTOR SERIES NO. 560020-**28						

Sn RED	/	/	/	/	/	15
	/	/	/	/	/	14
	/	/	/	/	/	13
	/	/	/	/	/	12
	/	/	/	/	/	11
	/	/	/	/	/	10
	/	/	/	/	/	9
	11.8	15.1	19.7	22.6	560020-0822	8
	/	/	/	/	/	7
	11.8	12	15.7	18.6	560020-0622	6
	/	/	/	/	/	5
	7.8	8	11.7	14.6	560020-0422	4
	5.8	6	9.7	12.6	560020-0322	3
	6.3	/	8.0	10.9	560020-0222	2
PLATING COLOR	D	C	B	A	EMBOSSED PACKAGE ORDER NO.	CKTS
CONNECTOR SERIES NO. 560020-**48						

Sn BLUE	/	/	/	/	/	15
	/	/	/	/	/	14
	/	/	/	/	/	13
	/	/	/	/	/	12
	/	/	/	/	/	11
	/	/	/	/	/	10
	/	/	/	/	/	9
	11.8	15.1	19.7	22.6	560020-0823	8
	/	/	/	/	/	7
	11.8	12	15.7	18.6	560020-0623	6
	/	/	/	/	/	5
	7.8	8	11.7	14.6	560020-0423	4
	5.8	6	9.7	12.6	560020-0323	3
	6.3	/	8.0	10.9	560020-0223	2
PLATING COLOR	D	C	B	A	EMBOSSED PACKAGE ORDER NO.	CKTS
CONNECTOR SERIES NO. 560020-**68						

INITIAL REVISION:  
 DRWN SHSHIBATA 2009/02/18  
 CHECK HKOMATSU 2009/02/18  
 APPR AKANESHIGE 2009/02/18

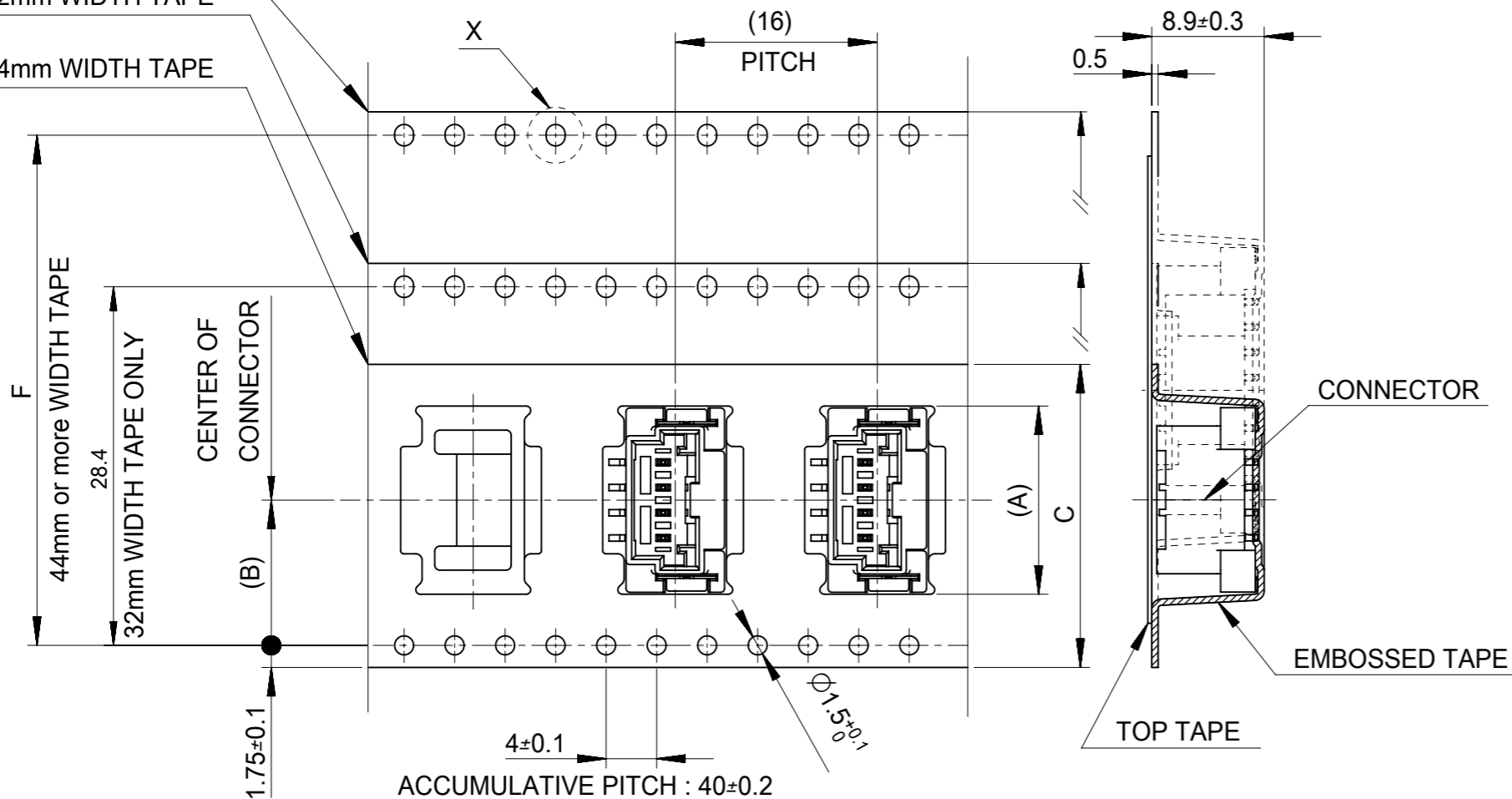
FUNCTIONAL SYMBOLS		THIS DRAWING CONTAINS INFORMATION THAT IS PROPRIETARY TO MOLEX ELECTRONIC TECHNOLOGIES, LLC AND SHOULD NOT BE USED WITHOUT WRITTEN PERMISSION	
FA=0	mm	SCALE 1:1	CURRENT REV DESC:
FE=0	GENERAL TOLERANCES (UNLESS SPECIFIED)		EC NO: 635305
FP=0	MM INCH		DRWN: MUNEMOTO 2020/04/02
DIVISIONAL SYMBOLS		4 PLACES ±	CHK'D: HIJIMA 2020/04/03
		3 PLACES ±	APPR: TOSADA 2020/04/06
		2 PLACES ±	INITIAL REVISION:
		1 PLACE ±	DRWN: DRAWN BY 0099/99/99
		0 PLACES ±	APPR: APPR BY 0099/99/99
ANGULAR TOL ± °		DRAFT WHERE APPLICABLE MUST REMAIN WITHIN DIMENSIONS	THIRD ANGLE PROJECTION
		DRAWING A3-SIZE	SERIES 560020
		MATERIAL NUMBER	CUSTOMER GENERAL MARKET
		DOCUMENT NUMBER SD-560020-001	DOC TYPE PSD
		DOC PART 001	REVISION K
		SHEET NUMBER 4 OF 4	



44mm or more  
WIDTH TAPE

32mm WIDTH TAPE

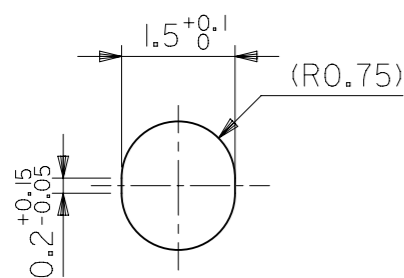
24mm WIDTH TAPE



ACCUMULATIVE PITCH : 40±0.2

PULL OUT DIRECTION

DIRECTION OF CONNECTOR  
IN EMBOSSED TAPE



DETAIL X  
(SCALE 10:1)

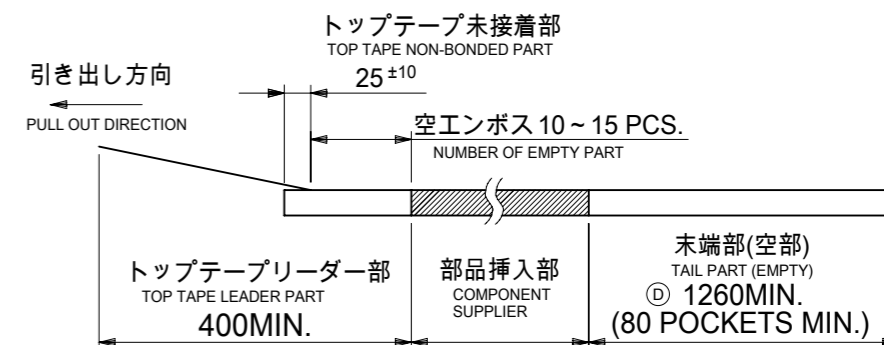
NOTES

- 製品番号 :  
 ナチュラル・錫めっき 560020-\*\*20  
 ナチュラル・金めっき 560020-\*\*30  
 黒・錫めっき 560020-\*\*21  
 赤・錫めっき 560020-\*\*22  
 青・錫めっき 560020-\*\*23  
 詳細寸法については、製品単体図面を参照ください。

PART NO.

- NATURAL・Sn Plating 5600020-\*\*20
  - NATURAL・Au Plating 560020-\*\*30
  - BLACK・Sn Plating 5600020-\*\*21
  - RED・Sn Plating 5600020-\*\*22
  - BLUE・Sn Plating 5600020-\*\*23
- SEE SALES DRAWING FOR CONNECTOR

- 梱包数量 : 650個/REEL  
 NUMBER OF CONNECTORS 650 PCS/REEL
- リードテープ長さ  
 LEAD TAPE LENGTH



4. 材料

- MATERIAL  
 キャリアテープ : ポリスチレン  
 CARRIER TAPE: POLYSTYRENE  
 トップテープ : PET, PE, PEF  
 TOP TAPE  
 リール : ポリスチレン  
 REEL: POLYSTYRENE

5. 一般公差

- GENERAL TOLERANCES  
 10 UNDER: ±0.2  
 10 OVER 30 UNDER: ±0.25  
 30 OVER: ±0.3  
 ANGULAR: ±1°

THIS DRAWING CONTAINS INFORMATION THAT IS PROPRIETARY TO MOLEX ELECTRONIC TECHNOLOGIES, LLC AND SHOULD NOT BE USED WITHOUT WRITTEN PERMISSION		CURRENT REV DESC:		<b>molex</b>	
DIMENSION UNITS: mm		SCALE: NTS			
GENERAL TOLERANCES (UNLESS SPECIFIED)		EC NO: 629663		2.0MM PITCH W/B ST. WAFER ASSY EMBOSSED TAPE PACKAGE	
4 PLACES	±	DRWN: MSATO08	2019/12/26	PRODUCT CUSTOMER DRAWING	
3 PLACES	±	CHK'D: HIJIMA	2019/12/27	DOCUMENT NUMBER	
2 PLACES	±	APPR: TOSADA	2019/12/27	SD-560020-003	
1 PLACE	±	INITIAL REVISION:		DOC TYPE	DOC PART
0 PLACES	±	DRWN: YTAMAKI	2014/05/23	PSD	001
ANGULAR TOL	± °	APPR: MAYAMAMOTO	2014/06/30	REVISION	
DRAFT WHERE APPLICABLE MUST REMAIN WITHIN DIMENSIONS		THIRD ANGLE PROJECTION	DRAWING	MATERIAL NUMBER	CUSTOMER
			A3-SIZE	560020	SEE CHART
		SERIES	560020	GENERAL MARKET	1 OF 2


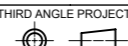
Sn NATURAL	52.4	61.4	57.4	56	26.2	36.9	560020-1520	15
						34.9	560020-1420	14
						32.9	560020-1320	13
	40.4	49.4	45.4	44	20.2	30.9	560020-1220	12
						28.9	560020-1120	11
						26.9	560020-1020	10
						24.9	560020-0920	09
						22.9	560020-0820	08
						20.9	560020-0720	07
						18.9	560020-0620	06
	28.4	37.4	33.4	32	14.2	16.9	560020-0520	05
						14.9	560020-0420	04
						12.9	560020-0320	03
	29.4	25.4	24	11.5	11.2	560020-0220	02	
PLATING COLOR	F	E	D	C	(B)	(A)	エンボス梱包品 製品番号 EMBOSSED PACKAGE MATERIAL NO.	CIRCUITS

Au NATURAL	52.4	61.4	57.4	56	26.2	36.9	560020-1530	15
						34.9	560020-1430	14
						32.9	560020-1330	13
	40.4	49.4	45.4	44	20.2	30.9	560020-1230	12
						28.9	560020-1130	11
						26.9	560020-1030	10
						24.9	560020-0930	09
						22.9	560020-0830	08
						20.9	560020-0730	07
						18.9	560020-0630	06
	28.4	37.4	33.4	32	14.2	16.9	560020-0530	05
						14.9	560020-0430	04
						12.9	560020-0330	03
	29.4	25.4	24	11.5	11.2	560020-0230	02	
PLATING COLOR	F	E	D	C	(B)	(A)	エンボス梱包品 製品番号 EMBOSSED PACKAGE MATERIAL NO.	CIRCUITS

Sn BLACK	52.4	61.4	57.4	56	26.2	36.9	560020-1521	15
						34.9	560020-1421	14
						32.9	560020-1321	13
	40.4	49.4	45.4	44	20.2	30.9	560020-1221	12
						28.9	560020-1121	11
						26.9	560020-1021	10
						24.9	560020-0921	09
						22.9	560020-0821	08
						20.9	560020-0721	07
						18.9	560020-0621	06
	28.4	37.4	33.4	32	14.2	16.9	560020-0521	05
						14.9	560020-0421	04
						12.9	560020-0321	03
	29.4	25.4	24	11.5	11.2	560020-0221	02	
PLATING COLOR	F	E	D	C	(B)	(A)	エンボス梱包品 製品番号 EMBOSSED PACKAGE MATERIAL NO.	CIRCUITS

Sn RED	52.4	61.4	57.4	56	26.2	36.9	560020-1521	15
						34.9	560020-1421	14
						32.9	560020-1321	13
	40.4	49.4	45.4	44	20.2	30.9	560020-1221	12
						28.9	560020-1121	11
						26.9	560020-1021	10
						24.9	560020-0921	09
						22.9	560020-0821	08
						20.9	560020-0721	07
						18.9	560020-0621	06
	28.4	37.4	33.4	32	14.2	16.9	560020-0521	05
						14.9	560020-0421	04
						12.9	560020-0321	03
	29.4	25.4	24	11.5	11.2	560020-0221	02	
PLATING COLOR	F	E	D	C	(B)	(A)	エンボス梱包品 製品番号 EMBOSSED PACKAGE MATERIAL NO.	CIRCUITS

Sn BLUE	52.4	61.4	57.4	56	26.2	36.9	560020-1521	15
						34.9	560020-1421	14
						32.9	560020-1321	13
	40.4	49.4	45.4	44	20.2	30.9	560020-1221	12
						28.9	560020-1121	11
						26.9	560020-1021	10
						24.9	560020-0921	09
						22.9	560020-0821	08
						20.9	560020-0721	07
						18.9	560020-0621	06
	28.4	37.4	33.4	32	14.2	16.9	560020-0521	05
						14.9	560020-0421	04
						12.9	560020-0321	03
	29.4	25.4	24	11.5	11.2	560020-0221	02	
PLATING COLOR	F	E	D	C	(B)	(A)	エンボス梱包品 製品番号 EMBOSSED PACKAGE MATERIAL NO.	CIRCUITS

THIS DRAWING CONTAINS INFORMATION THAT IS PROPRIETARY TO MOLEX ELECTRONIC TECHNOLOGIES, LLC AND SHOULD NOT BE USED WITHOUT WRITTEN PERMISSION													
DIMENSION UNITS		SCALE		CURRENT REV DESC:									
mm		NTS		 2.0MM PITCH W/B ST. WAFER ASSY EMBOSSED TAPE PACKAGE PRODUCT CUSTOMER DRAWING									
GENERAL TOLERANCES (UNLESS SPECIFIED)													
		MM								INCH		EC NO: 629663	
4 PLACES		±								±		DRWN: MSATO08 2019/12/26	
3 PLACES		±								±		CHK'D: HIJIMA 2019/12/27	
2 PLACES		±		±		APPR: TOSADA 2019/12/27							
1 PLACE		±		±		INITIAL REVISION:							
0 PLACES		±		±		DRWN: YTAMAKI 2014/05/23		DOCUMENT NUMBER					
ANGULAR TOL		±		°		APPR: MAYAMAMOTO 2014/06/30		SD-560020-003					
DRAFT WHERE APPLICABLE MUST REMAIN WITHIN DIMENSIONS				THIRD ANGLE PROJECTION		DRAWING		SERIES					
						A3-SIZE		560020					
						MATERIAL NUMBER		CUSTOMER					
						SEE CHART		GENERAL MARKET					
								SHEET NUMBER					
								2 OF 2					