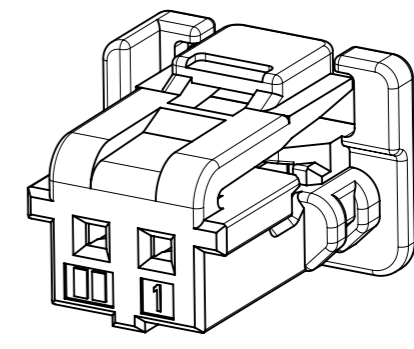
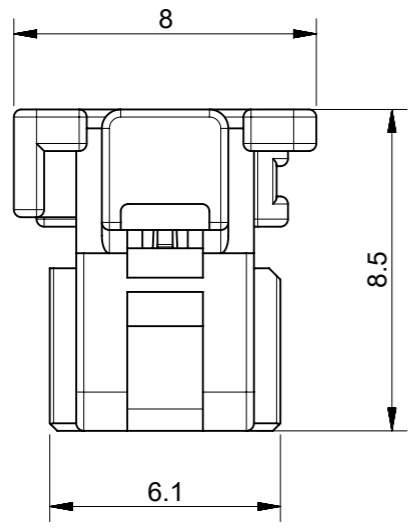
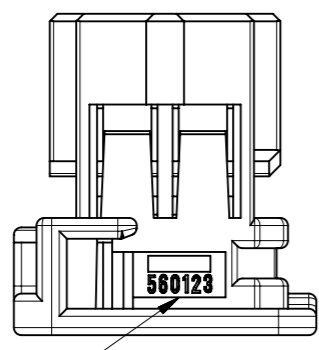
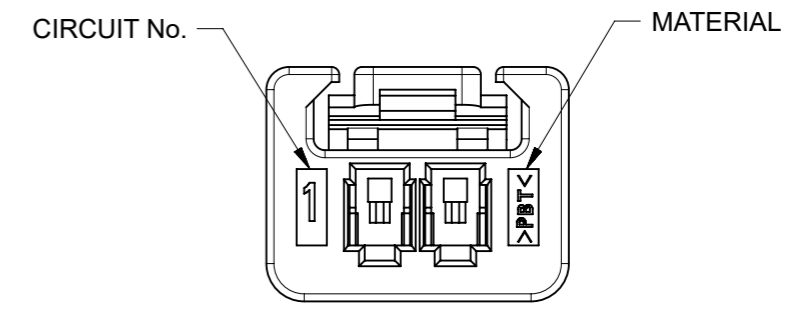
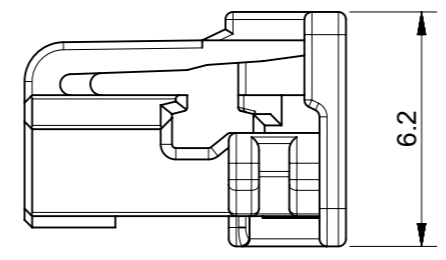
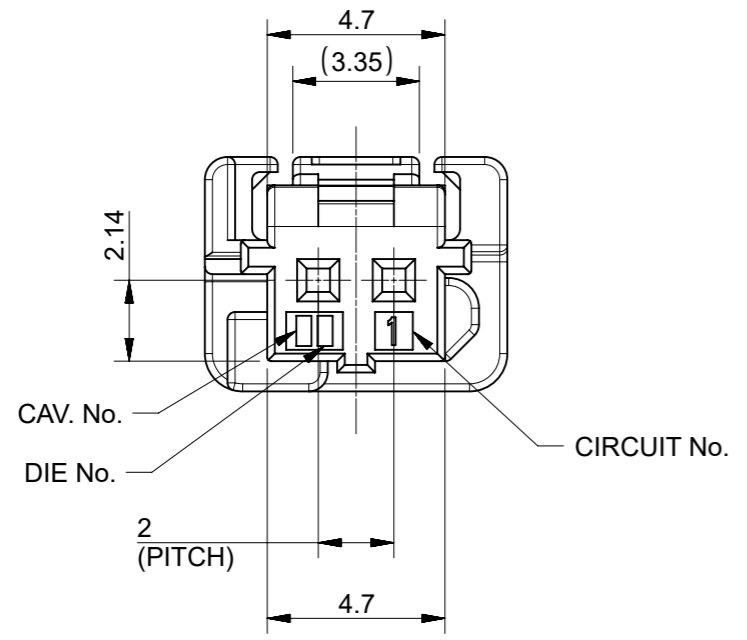


| GENERAL TOLERANCE | | | | | | | | | | USED ON |
|-------------------|--------|--------|--------|---------|---------|---------|----------|-------|--------|---------|
| 10 MAX | 30 MAX | 50 MAX | 70 MAX | 100 MAX | 120 MAX | 250 MAX | 250 OVER | ANGLE | ECCENT | |
| ±0.15 | ±0.20 | ±0.30 | ±0.40 | ±0.50 | ±0.75 | ±0.90 | ±1.4 | ±0.5° | 0.1 | |



ISO VIEW



SERIES No.
FACTORY CODE

- NOTES:
1. MATERIALS : POLYESTER (PBT), GLASS UNFILLED, UL 94V-0
 2. MATE WITH : 502352, 560020 SERIES
 3. APPLICABLE TERMINAL : 560124 SERIES
 4. APPLICABLE ISL : 560125 SERIES
 5. GENERAL TOLERANCE : SEE TABLE
 6. EVL AND RoHS COMPLIANT
 7. PRODUCT SPECIFICATION : PS-560123-001,002,003
 8. PACKING SPECIFICATION : PK-560123-001

| ORDER NO. | MATERIAL NO. | COLOR |
|-------------|--------------|-------|
| 560123-0200 | 5601230200 | WHITE |
| 560123-0201 | 5601230201 | BLACK |
| 560123-0202 | 5601230202 | RED |
| 560123-0204 | 5601230204 | BLUE |

| | | | | | |
|---------|---|----|--------------------------|----------|--|
| SYMBOLS | THIS DRAWING CONTAINS INFORMATION THAT IS PROPRIETARY TO MOLEX ELECTRONIC TECHNOLOGIES, LLC AND SHOULD NOT BE USED WITHOUT WRITTEN PERMISSION | | CURRENT REV DESC: | | |
| | ▽ = 0 | mm | SCALE | 5:1 | |
| ▽ = 0 | GENERAL TOLERANCES (UNLESS SPECIFIED) | | EC NO: 629104 | | NEW 2.0 PITCH W/B CONN. REC. 2WAY HSG DURACLIC ISL SERIES |
| ▽ = 0 | ANGULAR TOL ± ° | | DRWN: SAKIM 2019/12/05 | | |
| ▽ = 0 | 4 PLACES ± | | CHK'D: YKJUNG 2019/12/13 | | PRODUCT CUSTOMER DRAWING |
| ▽ = 0 | 3 PLACES ± | | APPR: YKJUNG 2019/12/13 | | |
| ▽ = 0 | 2 PLACES ± | | INITIAL REVISION: | | DOCUMENT NUMBER SD-560123-001 |
| ▽ = 0 | 1 PLACE ± | | DRWN: YIBAEC 2014/07/03 | | |
| ▽ = 0 | 0 PLACES ± | | APPR: SRTAK 2014/08/26 | | DOC TYPE PSD DOC PART 001 REVISION C1 |
| ▽ = 0 | DRAFT WHERE APPLICABLE MUST REMAIN WITHIN DIMENSIONS | | THIRD ANGLE PROJECTION | DRAWING | |
| ▽ = 0 | | | A3-SIZE | SERIES | |
| | | | | SERIES | MATERIAL NUMBER 560123 |
| | | | | CUSTOMER | |
| | | | | CUSTOMER | GENERAL MARKET |
| | | | | | |