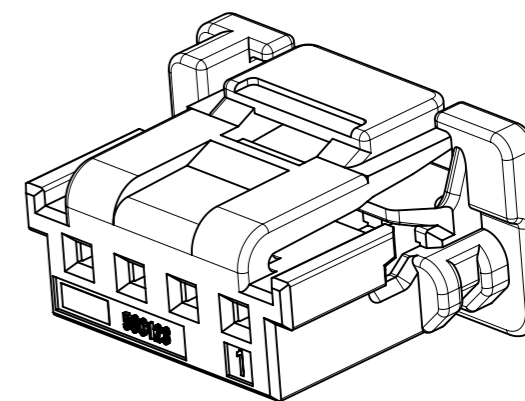
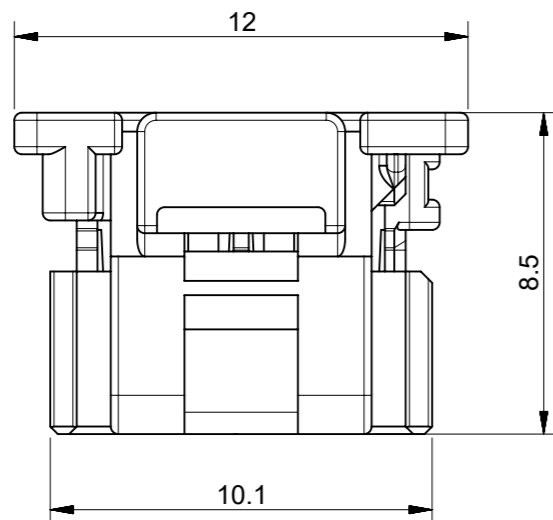
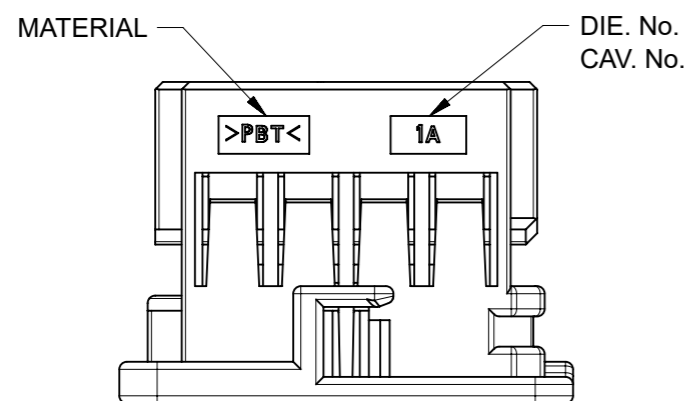
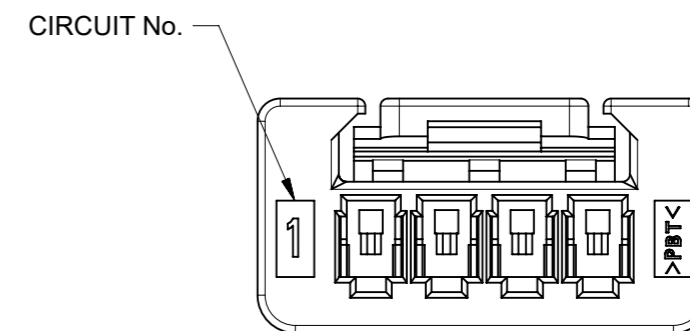
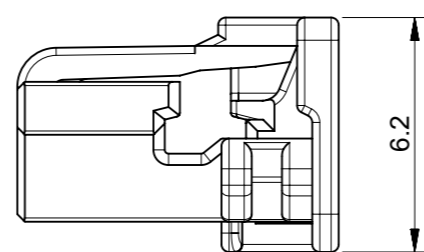
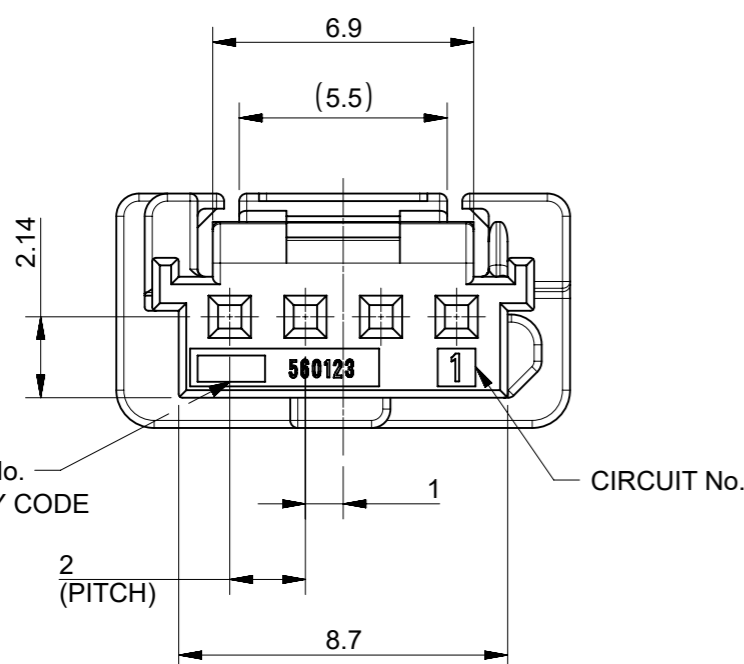


| GENERAL TOLERANCE | | | | | | | | | | USED ON |
|-------------------|--------|--------|--------|---------|---------|---------|----------|-------|--------|---------|
| 10 MAX | 30 MAX | 50 MAX | 70 MAX | 100 MAX | 120 MAX | 250 MAX | 250 OVER | ANGLE | ECCENT | |
| ±0.15 | ±0.20 | ±0.30 | ±0.40 | ±0.50 | ±0.75 | ±0.90 | ±1.4 | ±0.5° | 0.1 | |



ISO VIEW



NOTES:

1. MATERIALS : POLYESTER (PBT), GLASS UNFILLED, UL 94V-0
2. MATE WITH : 502352, 560020 SERIES
3. APPLICABLE TERMINAL : 560124 SERIES
4. APPLICABLE ISL : 560125 SERIES
5. GENERAL TOLERANCE : SEE TABLE
6. EVL AND RoHS COMPLIANT
7. PRODUCT SPECIFICATION : PS-560123-001,002,003
8. PACKING SPECIFICATION : PK-560123-001

| ORDER NO. | MATERIAL NO. | COLOR |
|-------------|--------------|-------|
| 560123-0400 | 5601230400 | WHITE |
| 560123-0401 | 5601230401 | BLACK |
| 560123-0402 | 5601230402 | RED |
| 560123-0404 | 5601230404 | BLUE |

| | | | | |
|---|---|------------------------|-------------------|------------|
| SYMBOLS ▽ = 0 ▽ = 0 ▽ = 0 ▽ = 0 ▽ = 0 ▽ = 0 ▽ = 0 ▽ = 0 ▽ = 0 ▽ = 0 ▽ = 0 | THIS DRAWING CONTAINS INFORMATION THAT IS PROPRIETARY TO MOLEX ELECTRONIC TECHNOLOGIES, LLC AND SHOULD NOT BE USED WITHOUT WRITTEN PERMISSION | SCALE | CURRENT REV DESC: | |
| | DIMENSION UNITS | 5:1 | | |
| | GENERAL TOLERANCES (UNLESS SPECIFIED) | | EC NO: 629104 | |
| | ANGULAR TOL | ± ° | DRWN: SAKIM | 2019/12/11 |
| 4 PLACES | ± | CHK'D: YKJUNG | 2019/12/13 | |
| 3 PLACES | ± | APPR: YKJUNG | 2019/12/13 | |
| 2 PLACES | ± | INITIAL REVISION: | | |
| 1 PLACE | ± | DRWN: YIBAEK | 2014/07/03 | |
| 0 PLACES | ± | APPR: SRTAK | 2014/08/26 | |
| DRAFT WHERE APPLICABLE MUST REMAIN WITHIN DIMENSIONS | | THIRD ANGLE PROJECTION | DRAWING | SERIES |
| | | | A3-SIZE | 560123 |

| | | | |
|--|----------------|--------------|----------|
| molex | | | |
| NEW 2.0 PITCH W/B CONN. REC. 4WAY HSG DURACLIC ISL SERIES | | | |
| PRODUCT CUSTOMER DRAWING | | | |
| DOCUMENT NUMBER | DOC TYPE | DOC PART | REVISION |
| SD-560123-002 | PSD | 001 | C1 |
| MATERIAL NUMBER | CUSTOMER | SHEET NUMBER | |
| | GENERAL MARKET | 1 OF 1 | |