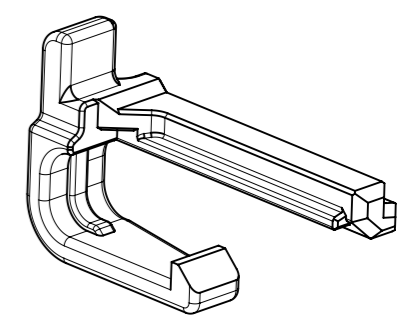
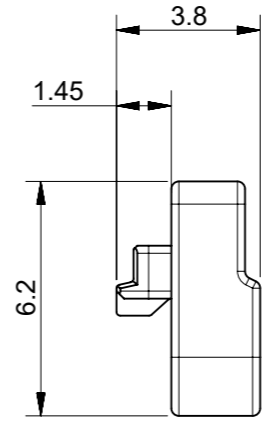
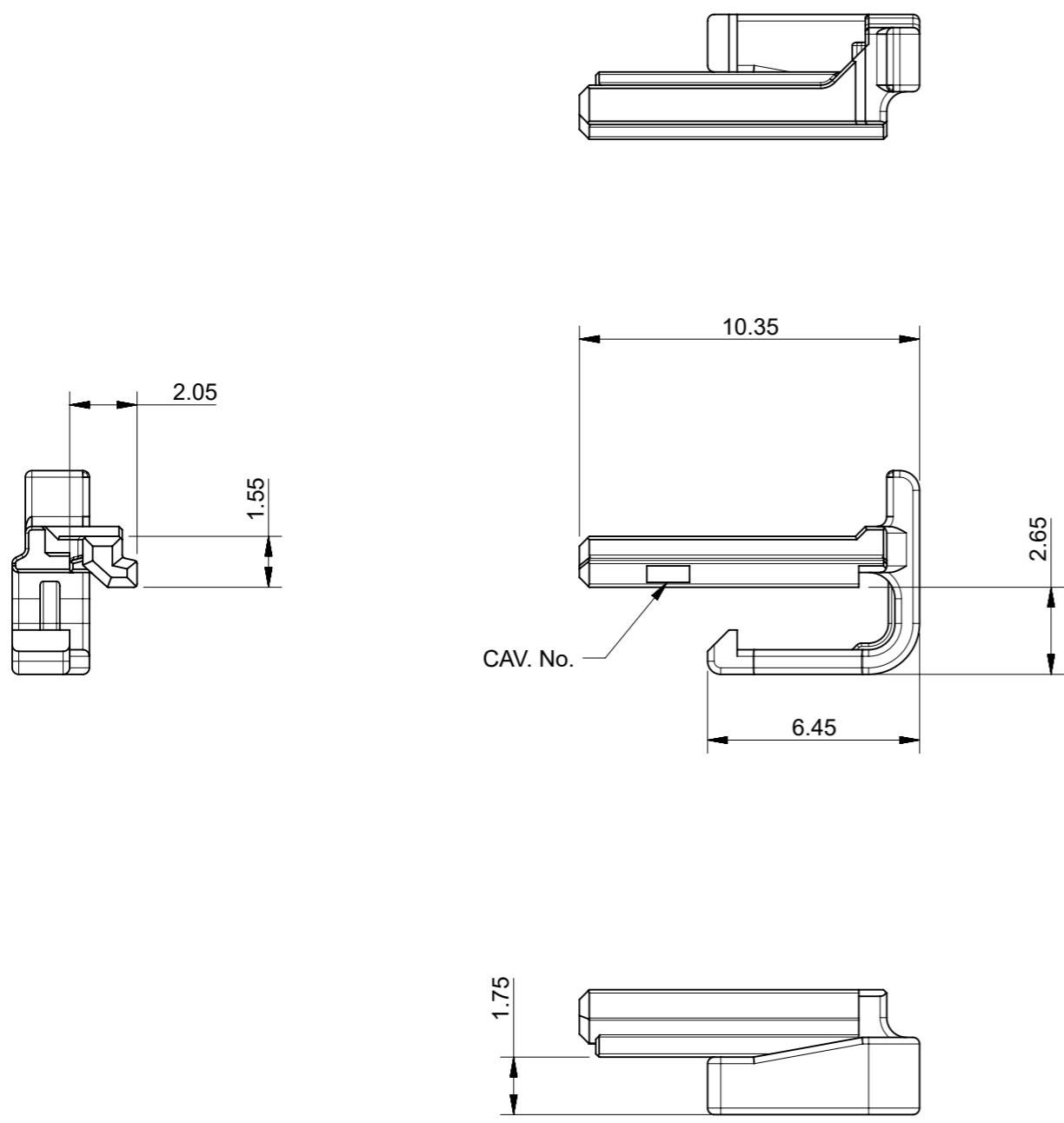


GENERAL TOLERANCE										USED ON
10 MAX	30 MAX	50 MAX	70 MAX	100 MAX	120 MAX	250 MAX	250 OVER	ANGLE	ECCENT	
±0.15	±0.20	±0.30	±0.40	±0.50	±0.75	±0.90	±1.4	±0.5°	0.1	



ISO VIEW

ORDER NO.	MATERIAL NO.	COLOR
560125-0400	5601250400	GRAY

- NOTES:
1. MATERIALS : POLYESTER (PBT)-GF17, UL94 V-0
 2. APPLICABLE HOUSING : 560123 SERIES
 3. GENERAL TOLERANCE : SEE TABLE
 4. EVL AND RoHS COMPLIANT
 5. PRODUCT SPECIFICATION : PS-560123-001,002,003
 6. PACKING SPECIFICATION : PK-560125-001

SYMBOLS		THIS DRAWING CONTAINS INFORMATION THAT IS PROPRIETARY TO MOLEX ELECTRONIC TECHNOLOGIES, LLC AND SHOULD NOT BE USED WITHOUT WRITTEN PERMISSION		CURRENT REV DESC:		molex	
▽ = 0	mm	SCALE	5:1	EC NO: 629104			
▽ = 0	GENERAL TOLERANCES (UNLESS SPECIFIED)		DRWN: SAKIM		2019/12/12	REC.4WAY ISL DURACLK ISL SERIES	
▽ = 0	ANGULAR TOL ± °		CHK'D: YKJUNG		2019/12/13	PRODUCT CUSTOMER DRAWING	
▽ = 0	4 PLACES ±	APPR: YKJUNG		2019/12/13	DOCUMENT NUMBER		
▽ = 0	3 PLACES ±	INITIAL REVISION:		DRWN: YIBAEK		SD-560125-002	
▽ = 0	2 PLACES ±	DRWN: YIBAEK		2014/07/03	DOC TYPE		DOC PART
▽ = 0	1 PLACE ±	APPR: SRTAK		2014/08/26	PSD		001
▽ = 0	0 PLACES ±	DRAFT WHERE APPLICABLE MUST REMAIN WITHIN DIMENSIONS		SERIES		REVISION	
□ = 0	THIRD ANGLE PROJECTION		DRAWING		MATERIAL NUMBER		CUSTOMER
■ = 0	A3-SIZE		560125		GENERAL MARKET		SHEET NUMBER
▽ = 0	1 OF 1						