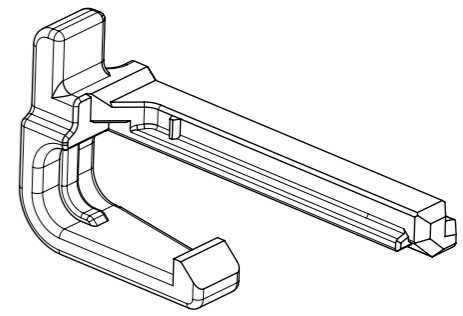
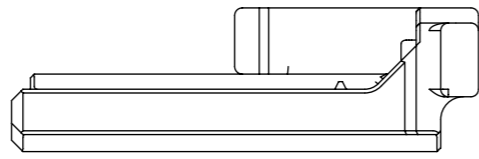
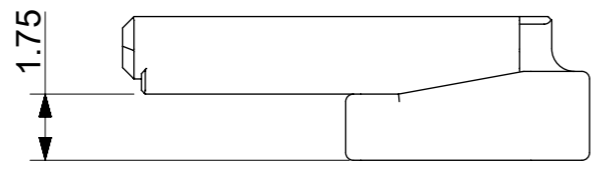
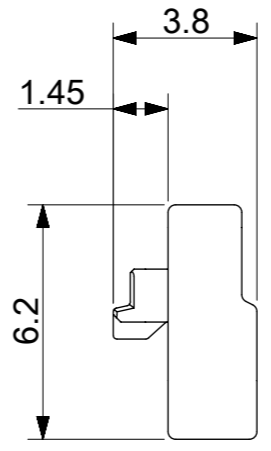
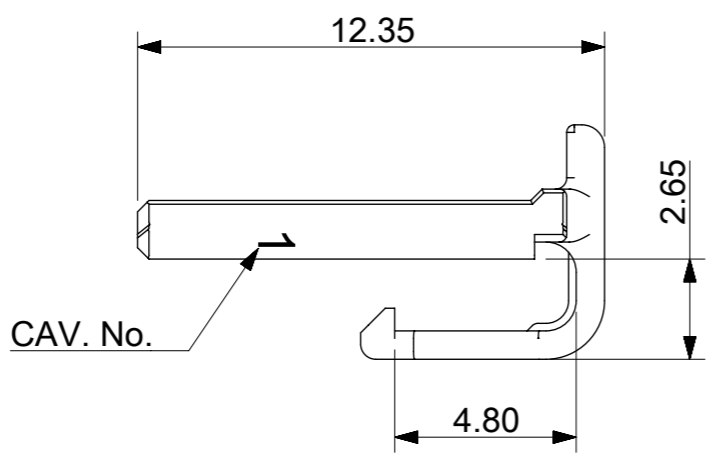
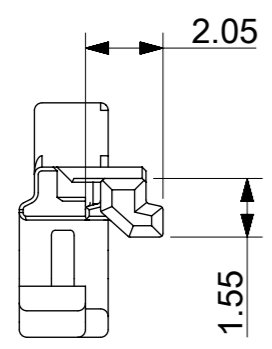


GENERAL TOLERANCE										USED ON
10 MAX	30 MAX	50 MAX	70 MAX	100 MAX	120 MAX	250 MAX	250 OVR	ANGLE	ECCENT	
±0.15	±0.20	±0.30	±0.40	±0.50	±0.75	±0.90	±1.4	±0.5°	0.1	



**ISO VIEW**



**NOTES:**

1. MATERIAL: POLYESTER(PBT-GF17%), GLASS FILLES, UL94V-0  
COLOR: GRAY
2. APPLICABLE HOUSING: 560123-0501,0500
3. GENERAL TOLERANCE: SEE TABLE
4. ELV AND RoHS COMPLIANT

<b>QUALITY SYMBOLS</b> FA = 0 FE = 0 FP = 0 FV = 0 FC = 0 FX = 0 FS = 0 FT = 0	THIS DRAWING CONTAINS INFORMATION THAT IS PROPRIETARY TO MOLEX ELECTRONIC TECHNOLOGIES, LLC AND SHOULD NOT BE USED WITHOUT WRITTEN PERMISSION											
	EC NO: 110900 DRWN: SWYOON CHK'D: SWYOON APPR: JHJANG	2016/11/29	2016/11/29	GENERAL TOLERANCES (UNLESS SPECIFIED)		DIMENSION UNITS	SCALE					
		RELEASED		ANGULAR TOL ± °		MM	5:1					
				4 PLACES ±	DRWN BY		DATE		NEW 2.0 PITCH W/B CONN. REC. 5WAY ISL DURACLIK ISL SERIES			
				3 PLACES ±	SWYOON		2016/11/25					
		2 PLACES ±	CHK'D BY		DATE		PRODUCT CUSTOMER DRAWING					
		1 PLACE ±	SWYOON		2016/11/29							
		0 PLACES ±	APPR BY		DATE		SERIES MATERIAL NUMBER CUSTOMER 560125 5601250500 GENERAL MARKET					
		DRAFT WHERE APPLICABLE MUST REMAIN WITHIN DIMENSIONS		DRAWING SIZE	THIRD ANGLE PROJECTION						DOCUMENT NUMBER DOC TYPE DOC PART SHEET NUMBER 5601250500 PSD 009 1 OF 1	
				A3								