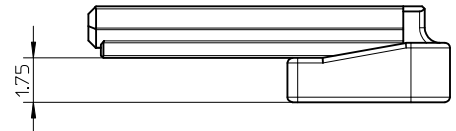
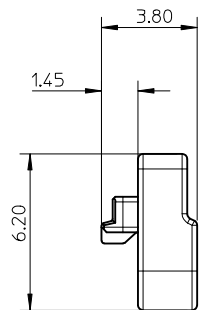
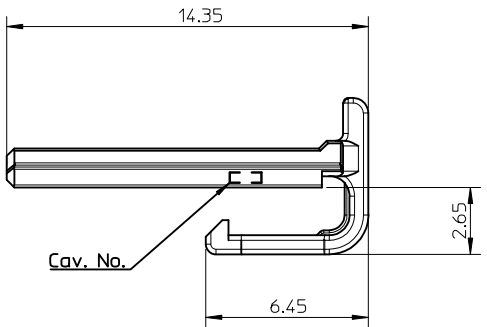
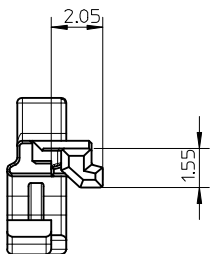
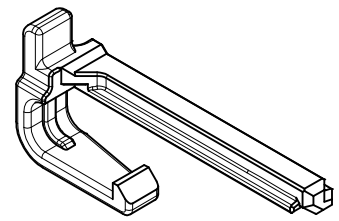


GENERAL TOLERANCE										USED ON
10 MAX	30 MAX	50 MAX	70 MAX	100 MAX	120 MAX	250 MAX	250 OVR	ANGLE	ECCENT	
±0.15	±0.20	±0.30	±0.40	±0.50	±0.75	±0.90	±1.4	±0.5°	0.1	

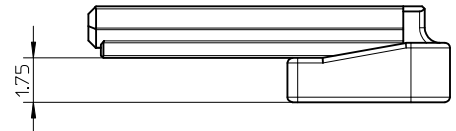
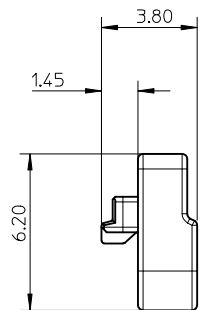
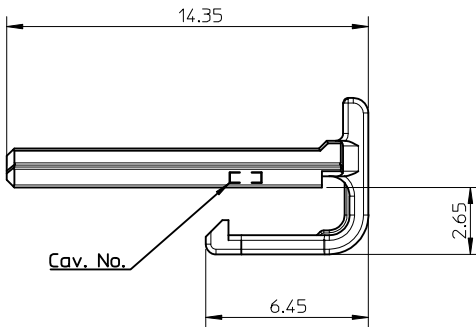
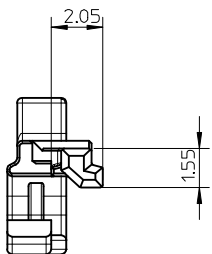
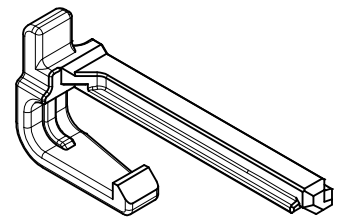


- NOTES:
1. MATERIAL : POLYESTER (PBT), GLASS FILLED, UL94V-0
 2. APPLICABLE HOUSING : 560123-0600, 560123-0601
 3. GENERAL TOLERANCE : SEE TABLE
 4. ELV AND RoHS COMPLIANT
 5. PRODUCT SPECIFICATION : PS-560123-001
 6. PRODUCT SPECIFICATION : PK-560125-001

B	ORDER NO	MATERIAL NO	COLOR
	560125-0600	560125-0600	GRAY
	560125-0601	560125-0601	BLACK

ADDED OPTION EC NO: KTR2015-0103 DRWN: YIBA EK 2015/04/29 CHKD: APPR: JYCHO1 2015/05/29 REV	QUALITY SYMBOLS	GENERAL TOLERANCES (UNLESS SPECIFIED) <table border="1"> <thead> <tr> <th></th> <th>mm</th> <th>INCH</th> </tr> </thead> <tbody> <tr> <td>4 PLACES</td> <td>± ---</td> <td>± ---</td> </tr> <tr> <td>3 PLACES</td> <td>± ---</td> <td>± ---</td> </tr> <tr> <td>2 PLACES</td> <td>± ---</td> <td>± ---</td> </tr> <tr> <td>1 PLACE</td> <td>± ---</td> <td>± ---</td> </tr> <tr> <td colspan="3">ANGULAR ± ---°</td> </tr> </tbody> </table>		mm	INCH	4 PLACES	± ---	± ---	3 PLACES	± ---	± ---	2 PLACES	± ---	± ---	1 PLACE	± ---	± ---	ANGULAR ± ---°			DIMENSION STYLE	SCALE	DESIGN UNITS	THIRD ANGLE PROJECTION
			mm	INCH																				
	4 PLACES		± ---	± ---																				
	3 PLACES		± ---	± ---																				
	2 PLACES		± ---	± ---																				
1 PLACE	± ---	± ---																						
ANGULAR ± ---°																								
		MM ONLY	5:1	METRIC																				
		DRAWN BY: YIBA EK	DATE: 2014/07/08	TITLE: NEW 2.0 PITCH W/B CONN. REC. 6WAY ISL DURACLIK™ ISL SERIES																				
		CHECKED BY:	DATE:	MOLEX INCORPORATED																				
		APPROVED BY: SRTAK	DATE: 2014/08/26	DOCUMENT NO. SD-560125-004																				
		MATERIAL NO. SEE TABLE		SHEET NO. 1 OF 1																				

GENERAL TOLERANCE										USED ON
10 MAX	30 MAX	50 MAX	70 MAX	100 MAX	120 MAX	250 MAX	250 OVR	ANGLE	ECCENT	
±0.15	±0.20	±0.30	±0.40	±0.50	±0.75	±0.90	±1.4	±0.5°	0.1	



- NOTES:
1. MATERIAL : POLYESTER (PBT), GLASS FILLED, UL94V-0
 2. APPLICABLE HOUSING : 560123-0600, 560123-0601
 3. GENERAL TOLERANCE : SEE TABLE
 4. ELV AND RoHS COMPLIANT
 5. PRODUCT SPECIFICATION : PS-560123-001
 6. PRODUCT SPECIFICATION : PK-560125-001

B	ORDER NO	MATERIAL NO	COLOR
	560125-0600	560125-0600	GRAY
	560125-0601	560125-0601	BLACK

ADDED OPTION EC NO: KTR2015-0103 DRWN: YIBA EK 2015/04/29 CHKD: APPR: JYCHO1 2015/05/29 REV	QUALITY SYMBOLS	GENERAL TOLERANCES (UNLESS SPECIFIED) <table border="1"> <thead> <tr> <th></th> <th>mm</th> <th>INCH</th> </tr> </thead> <tbody> <tr> <td>4 PLACES</td> <td>± ---</td> <td>± ---</td> </tr> <tr> <td>3 PLACES</td> <td>± ---</td> <td>± ---</td> </tr> <tr> <td>2 PLACES</td> <td>± ---</td> <td>± ---</td> </tr> <tr> <td>1 PLACE</td> <td>± ---</td> <td>± ---</td> </tr> </tbody> </table> ANGULAR ± ---° DRAFT WHERE APPLICABLE MUST REMAIN WITHIN DIMENSIONS		mm	INCH	4 PLACES	± ---	± ---	3 PLACES	± ---	± ---	2 PLACES	± ---	± ---	1 PLACE	± ---	± ---	DIMENSION STYLE	SCALE	DESIGN UNITS	THIRD ANGLE PROJECTION
			mm	INCH																	
	4 PLACES		± ---	± ---																	
	3 PLACES		± ---	± ---																	
	2 PLACES		± ---	± ---																	
1 PLACE	± ---	± ---																			
	MM ONLY	5:1	METRIC	☉																	
	DRAWN BY	DATE	TITLE	NEW 2.0 PITCH W/B CONN. REC. 6WAY ISL DURACLIK™ ISL SERIES MOLEX INCORPORATED																	
	YIBA EK	2014/07/08																			
	CHECKED BY	DATE		MOLEX INCORPORATED SD-560125-004																	
	SRTAK	2014/08/26																			
	MATERIAL NO.	DOCUMENT NO.	SHEET NO.																		
	SEE TABLE	SD-560125-004	1 OF 1																		