

NOTES :

1. MATERIAL :

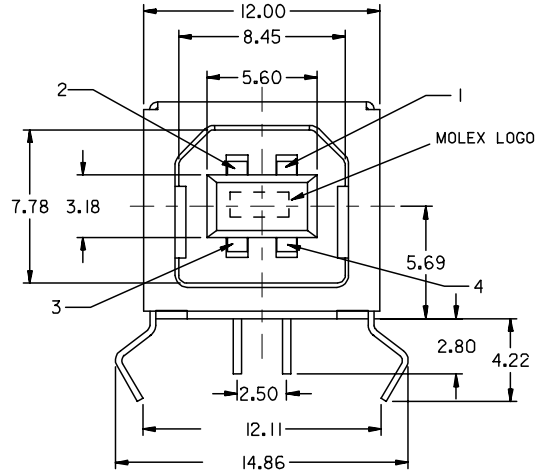
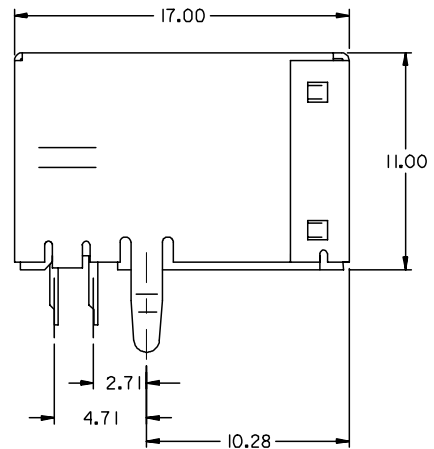
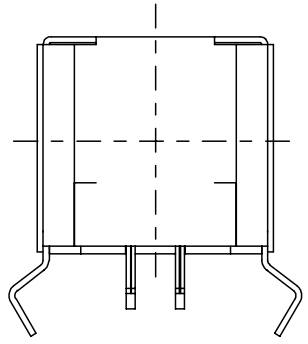
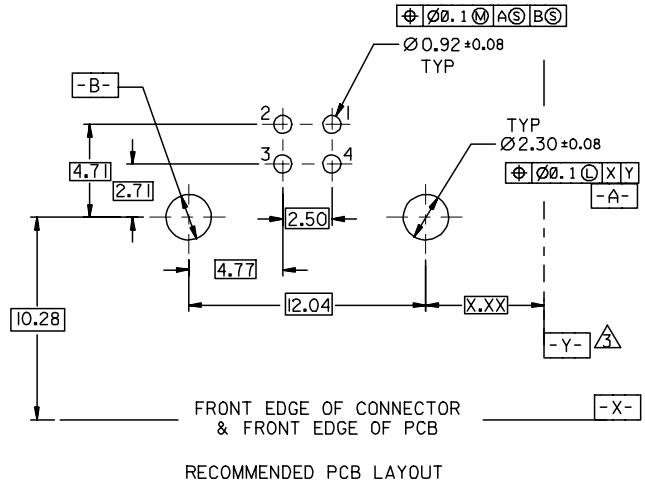
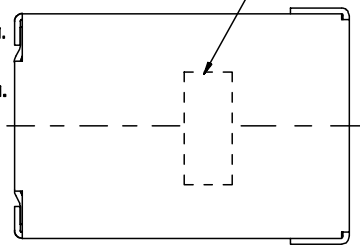
HOUSING : (a) HIGH TEMP. NYLON ,GLASS FIBER FILLED,UL94V-0, COLOR: BLACK,  
 (b) POLYESTER , GLASS FIBER FILLED,UL94V-0, COLOR: WHITE,  
 TERMINAL : PHOSPHOR BRONZE  
 METAL SHELL : COPPER ALLOY

2. PLATING :

TERMINAL :  
 CONTACT AREA : (a) GOLD FLASH.  
 (b) GL0D (Au), THICKNESS = 30 MICROINCH MINIMUM.  
 /0.76 MICROMETER MINIMUM.  
 SOLDER TAIL : TIN-LEAD (Sn-Pb) ALLOY,  
 THICKNESS= 75 MICROINCH MINIMUM .  
 /1.9 MICROMETER MINIMUM.  
 UNDER PLATE : NICKEL (Ni), THICKNESS= 50 MICROINCH MINIMUM.  
 /1.27 MICROMETER MINIMUM.  
 METAL SHELL :  
 TIN-LEAD (Sn-Pb) ALLOY , THICKNESS= 100 MICROINCH MINIMUM.  
 /2.54 MICROMETER MINIMUM.  
 UNDER PLATE : NICKEL (Ni) , THICKNESS= 50 MICROINCH MINIMUM.  
 /1.27 MICROMETER MINIMUM.

△ DATUM AND BASIC DIMENSIONS ESTABLISHED BY CUSTOMER  
 RECOMMENDED PCB THICKNESS : 1.60±0.05  
 4 PRODUCT SPECIFICATION : REFER TO PS-67998-0000

MOLEX ID OF MFG PLANT CODE



PART NUMBER LEGEND:

67068- \* \* 0 \* \*

- 0 : BLACK HOUSING
- 1 : WHITE HOUSING
- 0 : TRAY PACKAGING
- 1 : TUBE PACKAGING
- 0 : GOLD FLASH
- 1 : 0.76 MICROMETER/30 MICROINCH GOLD
- KINK TYPE BOARD LOCK

REVISED	DESCRIPTION
EC NO: SH2006-0759	2006/10/26
DRWN: FANG05	2006/10/27
CHKD: HWANG	2006/10/27
APPR: JNCHEN	2006/11/14

QUALITY SYMBOLS
▽=0
△=0

GENERAL TOLERANCES (UNLESS SPECIFIED)	
	mm INCH
4 PLACES	± --- ± ---
3 PLACES	± --- ± ---
2 PLACES	± 0.25 ± ---
1 PLACE	± 0.15 ± ---
ANGULAR ± 3 °	
DRAFT WHERE APPLICABLE MUST REMAIN WITHIN DIMENSIONS	

DIMENSION STYLE	
INCH ONLY	
DRAWN BY	DATE
VINCENT LIN	
CHECKED BY	DATE
APPROVED BY	DATE
MATERIAL NO.	DOCUMENT NO.
SEE TABLE	SDA-67068-****

SCALE	DESIGN UNITS	THIRD ANGLE PROJECTION
4:1	METRIC	
TITLE		
USB B TYPE CONNECTOR KINK TYPE BOARD LOCK		
MOLEX INCORPORATED		
SHEET NO.		1 OF 4
THIS DRAWING CONTAINS INFORMATION THAT IS PROPRIETARY TO MOLEX INCORPORATED AND SHOULD NOT BE USED WITHOUT WRITTEN PERMISSION		

10 9 8 7 6 5 4 3 2 1

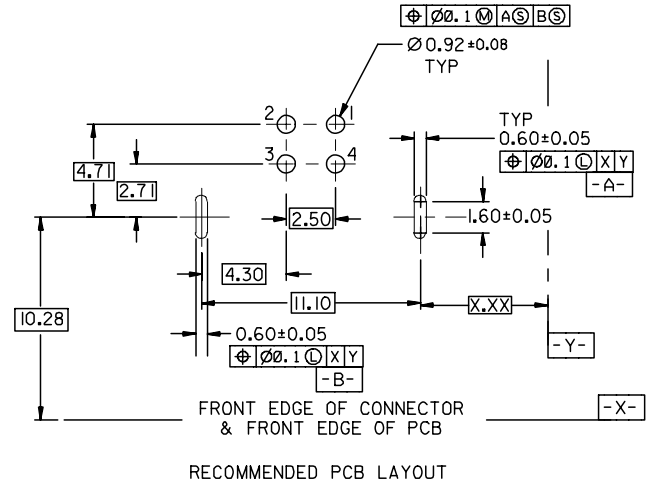
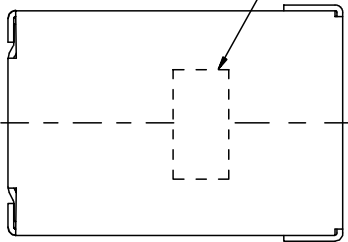
NOTES :

1. MATERIAL :  
 HOUSING : (a) HIGH TEMP. NYLON, GLASS FIBER FILLED, UL94V-0, COLOR: BLACK,  
 (b) POLYESTER, GLASS FIBER FILLED, UL94V-0, COLOR: WHITE.  
 TERMINAL : PHOSPHOR BRONZE  
 METAL SHELL : COPPER ALLOY

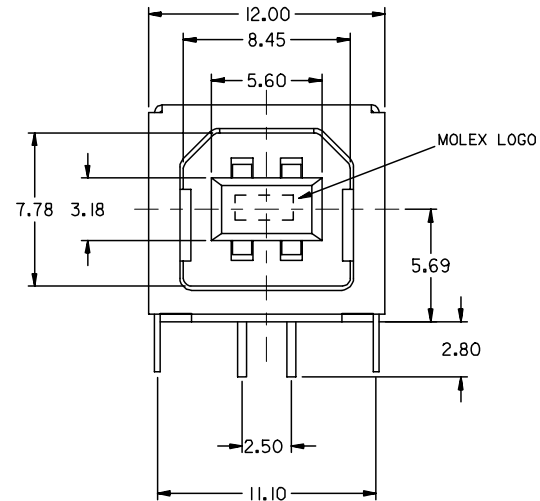
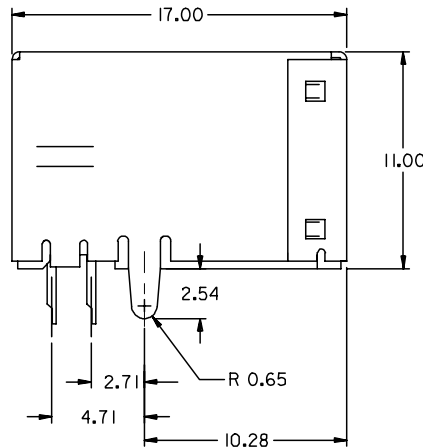
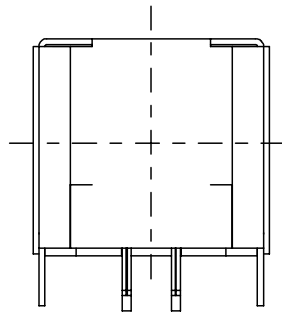
2. PLATING :  
 TERMINAL :  
 CONTACT AREA : (a) GOLD FLASH.  
 (b) GLOD (Au), THICKNESS = 30 MICROINCH MINIMUM.  
 /0.76 MICROMETER MINIMUM.  
 SOLDER TAIL : TIN-LEAD (Sn-Pb) ALLOY,  
 THICKNESS= 75 MICROINCH MINIMUM .  
 /1.9 MICROMETER MINIMUM.  
 UNDER PLATE : NICKEL (Ni), THICKNESS= 50 MICROINCH MINIMUM.  
 /1.27 MICROMETER MINIMUM.  
 METAL SHELL :  
 TIN-LEAD (Sn-Pb) ALLOY, THICKNESS= 100 MICROINCH MINIMUM.  
 /2.54 MICROMETER MINIMUM.  
 UNDER PLATE : NICKEL (Ni), THICKNESS= 50 MICROINCH MINIMUM.  
 /1.27 MICROMETER MINIMUM.

3 DATUM AND BASIC DIMENSIONS ESTABLISHED BY CUSTOMER  
 RECOMMENDED PCB THICKNESS : 1.60±0.05  
 4 PRODUCT SPECIFICATION : REFER TO PS-67998-0000

MOLEX ID OF MFG PLANT CODE



RECOMMENDED PCB LAYOUT



PART NUMBER LEGEND (EXCEPT 67068-1111&67068-0011):

67068-

0 : BLACK HOUSING  
 1 : WHITE HOUSING

0 : TRAY PACKAGING  
 1 : TUBE PACKAGING

0 : GOLD FLASH  
 1 : 0.76 MICROMETER  
 (30 MICROINCH GOLD)  
 STRAIGHT TAB

REVISED	DESCRIPTION
EC NO: SH2006-0759	2006/10/26
DRWN: YANG05	2006/10/27
CHKD: HWANG	2006/11/14
APPR: INCHEH	2006/11/14

QUALITY SYMBOLS
▽=0
△=0

GENERAL TOLERANCES (UNLESS SPECIFIED)	
	MM ONLY
4 PLACES	± --- ± ---
3 PLACES	± --- ± ---
2 PLACES	± 0.25 ± ---
1 PLACE	± 0.15 ± ---
ANGULAR ± 3 °	
DRAFT WHERE APPLICABLE MUST REMAIN WITHIN DIMENSIONS	

DIMENSION STYLE	
MM ONLY	
DRAWN BY	DATE
VINCENT	
CHECKED BY	DATE
APPROVED BY	DATE
MATERIAL NO.	DOCUMENT NO.
SEE LENEND	SDA-67068-****

SCALE	DESIGN UNITS	THIRD ANGLE PROJECTION
4:1	METRIC	
TITLE		
USB B TYPE CONNETOR KINK TYPE BOARD LOCK		
MOLEX INCORPORATED		
MATERIAL NO.	DOCUMENT NO.	SHEET NO.
SEE LENEND	SDA-67068-****	2 OF 4
THIS DRAWING CONTAINS INFORMATION THAT IS PROPRIETARY TO MOLEX INCORPORATED AND SHOULD NOT BE USED WITHOUT WRITTEN PERMISSION		

9 8 7 6 5 4 3 2 1