

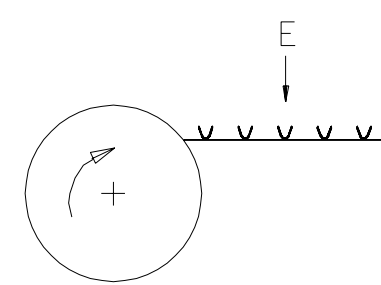
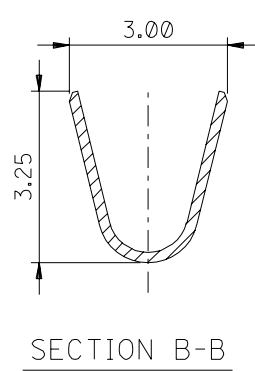
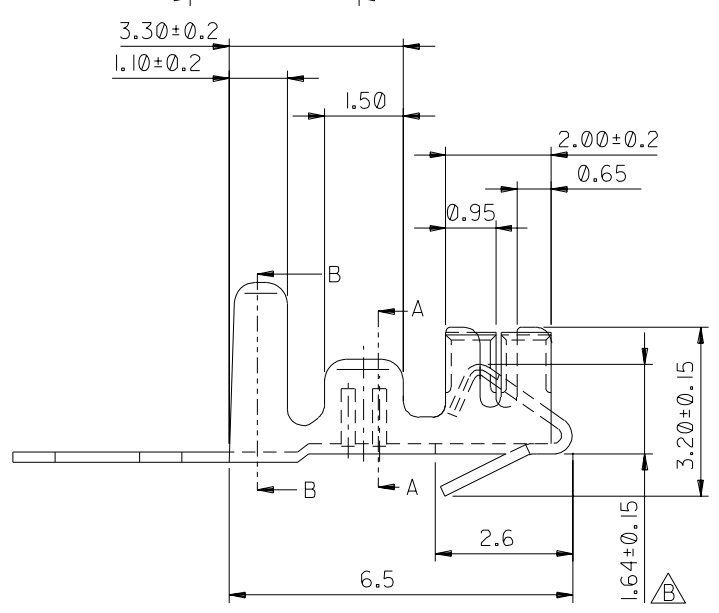
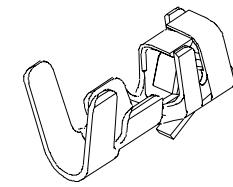
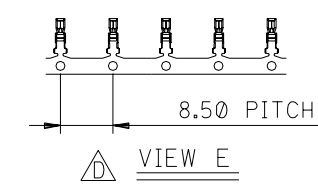
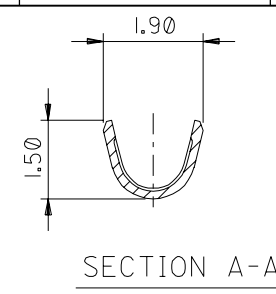
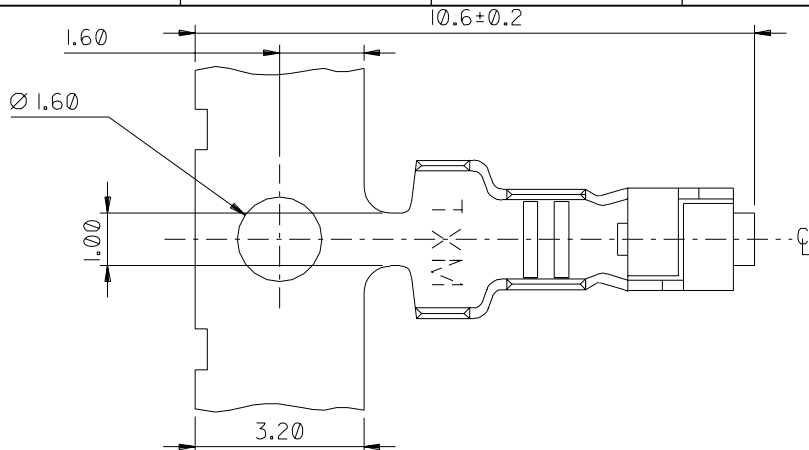
ENG. NO.

EDP NO.

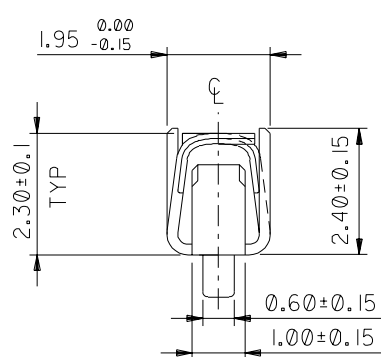
SIMILAR ITEM

CADFILE NO.

DO NOT SCALE DRAWING



FINAL GOOD DIRECTION
P/N: 67262-0001



NOTES:

1. MATERIAL: BRASS, THICKNESS: 0.2MM
2. FINISH: TIN-PLATED.
3. APPLICABLE HOUSING: 67261

DI	D	C	B	REV	DESCRIPTION	QUALITY SYMBOLS	GENERAL TOLERANCES: (UNLESS SPECIFIED)		SCALE	DESIGN UNITS	THIRD ANGLE PROJECTION	DIMENSIONS:	SHT	REV	
						MAJOR = 0	mm	INCH	5:1	mm	mm	mm	mm	mm	mm
						CRITICAL = 0	4 PLACES ± . . . ±.	3 PLACES ± . . . ±.	2 PLACES ± 0.20	1 PLACE ± 0.20	ANGULAR: ±2°	DRAWN BY & DATE	TITLE:		
												G.Wang 1999/08/26			
												CHECKED BY & DATE			
												LZHAO 2001/12/07			
												APPROVED BY & DATE			
												SAMHUANG 01/12/07			
												MOLEX INCORPORATED			
												CAD FILENAME	MATERIAL NO.	DRAWING NO.	SHEET NO.
												S6726201.S01	67262-0001	SD-67262-001	1 OF 1
												THIS DRAWING CONTAINS INFORMATION THAT IS PROPRIETARY TO MOLEX INCORPORATED AND SHOULD NOT BE USED WITHOUT WRITTEN PERMISSION.			
														SIZE	
														A3	