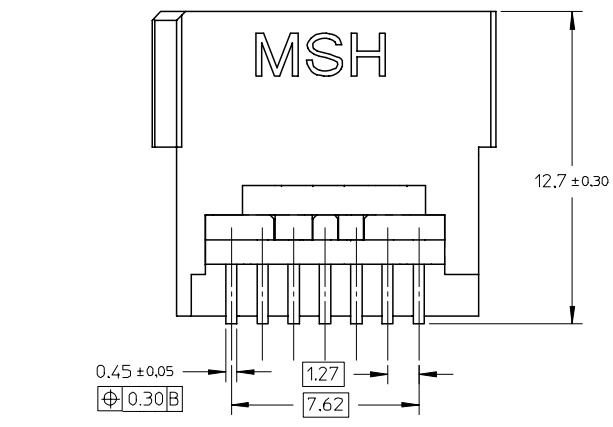
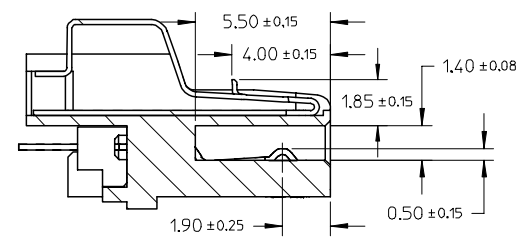
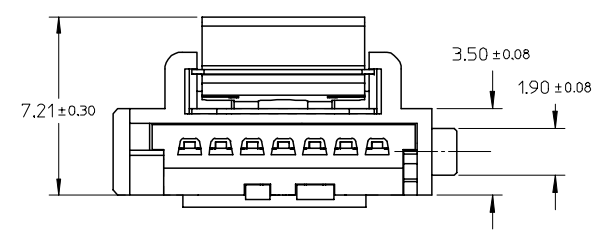
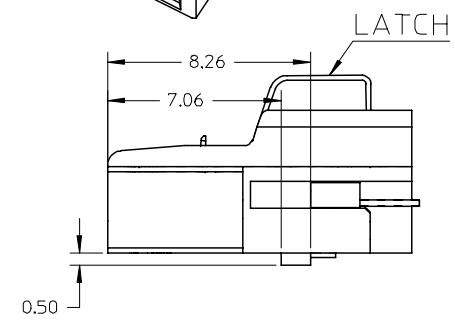
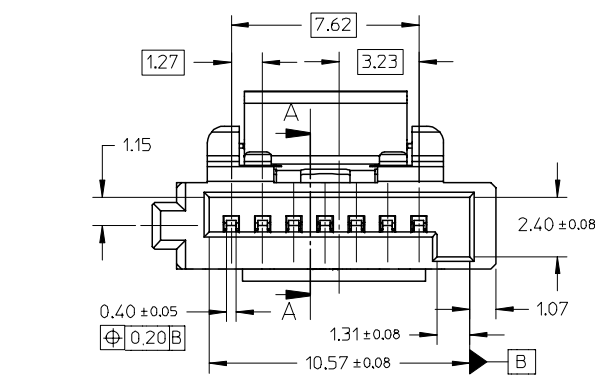


- NOTES:
- MATERIAL:
 - HOUSING: THERMAL PLASTIC, GLASS FILLED, UL94V-0, COLOR: BLACK
 - COVER: THERMAL PLASTIC, UL94V-0, COLOR: BLACK
 - TERMINAL: COPPER ALLOY
 - METAL LATCH: STAINLESS STEEL, THICKNESS=0.20MM
 - TERMINAL PLATING:
 - CONTACT AREA: GOLD PLATED
 - SOLDER TAIL: TIN, THICKNESS=1.27 MICRONS MINIMUM
 - UNDER PLATE: NICKEL, THICKNESS=1.27 MICRONS MINIMUM
 - PACKAGING: TRAY
 - PRODUCT SPECIFICATION REFER TO PS-67490-00*
 - MATING PART 67800, 47080 SERIES



P/N	PLATING TYPE	REMARK
67489-9001	GOLD FLASH	METAL LATCH
67489-9002	GOLD PLATED 0.76 MICRONS	NONE BUMP
67489-9005	GOLD PLATED 0.38 MICRONS	TYPE ONLY

ADD PART NUMBER EC NO: SH2007-0333 DRWN: BCHENZ6 CHKD: JTIAN APPR: JNCHEN	QUALITY SYMBOLS ▽=0 ▽=0	GENERAL TOLERANCES (UNLESS SPECIFIED)		DIMENSION STYLE MM ONLY		SCALE 5:1	DESIGN UNITS METRIC	THIRD ANGLE PROJECTION	
		4 PLACES	± ---	± ---	DRAWN BY	DATE	SERIAL ATA RECEPTACLE CABLE END CONNECTOR STRAIGHT TYPE MOLEX INCORPORATED SD-67489-002 SHEET NO. 1 OF 3		
		3 PLACES	± ---	± ---	CHECKED BY	DATE			
		2 PLACES	± 0.2	± ---	YA JUN	2004/03/25			
1 PLACE	± 0.25	± ---	APPROVED BY	DATE					
DRAFT WHERE APPLICABLE MUST REMAIN WITHIN DIMENSIONS		ANGULAR ± 1 °		SEE TABLE		MATERIAL NO.		DOCUMENT NO.	

10 9 8 7 6 5 4 3 2 1

F

E

D

C

B

A

F

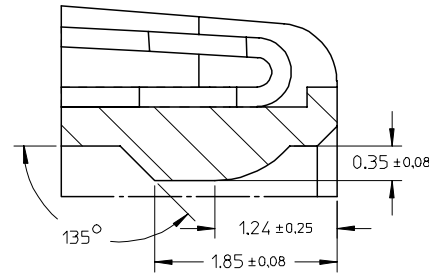
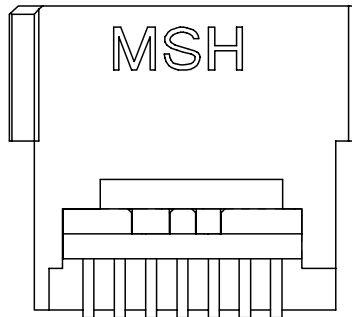
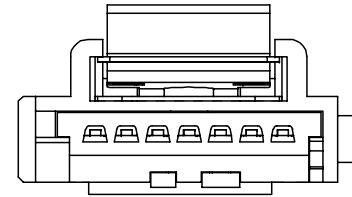
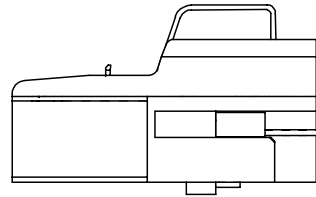
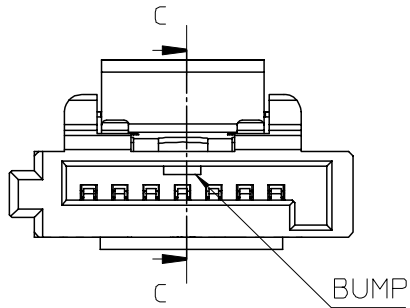
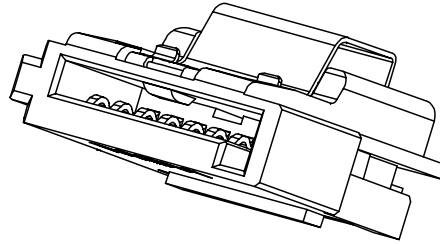
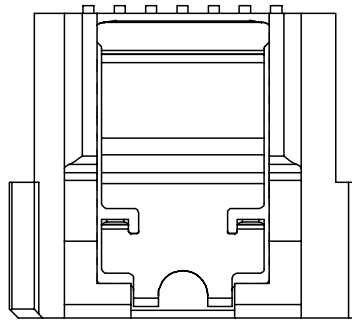
E

D

C

B

A



SECTION C-C

P/N	PLATING TYPE	REMARK
67489-7001	GOLD FLASH	BOTH METAL LATCH
67489-7002	GOLD PLATED 0.76 MICRONS	AND BUMP TYPE
67489-7005	GOLD PLATED 0.38 MICRONS	

ADD PART NUMBER EC NO: SH2007-0333 DRWN: BCHENZ6 CHKD: JTIAN APPR: JNCHEN	2006/11/09	2006/11/10	2006/11/16
	DESCRIPTION		
	REV		

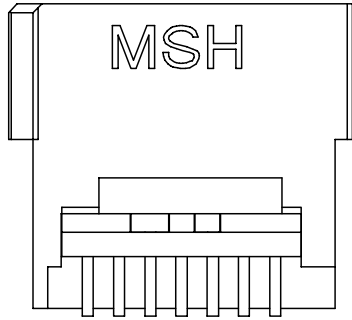
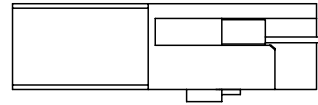
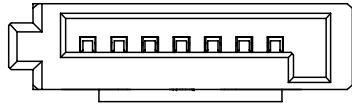
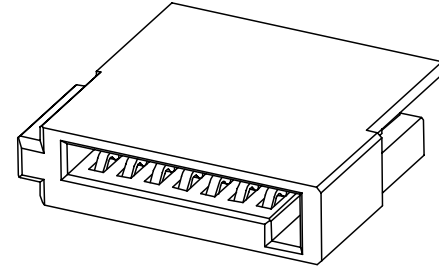
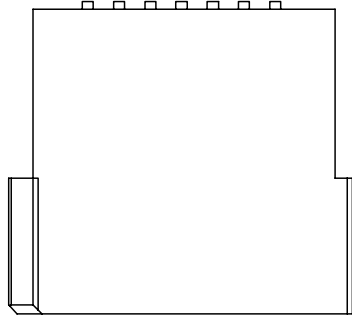
QUALITY SYMBOLS	$\nabla=0$ $\triangle=0$
-----------------	-----------------------------

GENERAL TOLERANCES (UNLESS SPECIFIED)	<table border="1"> <thead> <tr> <th></th> <th>mm</th> <th>INCH</th> </tr> </thead> <tbody> <tr> <td>4 PLACES</td> <td>± ---</td> <td>± ---</td> </tr> <tr> <td>3 PLACES</td> <td>± ---</td> <td>± ---</td> </tr> <tr> <td>2 PLACES</td> <td>± 0.2</td> <td>± ---</td> </tr> <tr> <td>1 PLACE</td> <td>± 0.25</td> <td>± ---</td> </tr> <tr> <td colspan="3">ANGULAR ± 1 °</td> </tr> </tbody> </table>		mm	INCH	4 PLACES	± ---	± ---	3 PLACES	± ---	± ---	2 PLACES	± 0.2	± ---	1 PLACE	± 0.25	± ---	ANGULAR ± 1 °		
	mm	INCH																	
4 PLACES	± ---	± ---																	
3 PLACES	± ---	± ---																	
2 PLACES	± 0.2	± ---																	
1 PLACE	± 0.25	± ---																	
ANGULAR ± 1 °																			
DRAFT WHERE APPLICABLE MUST REMAIN WITHIN DIMENSIONS																			

DIMENSION STYLE		SCALE	DESIGN UNITS	THIRD ANGLE PROJECTION
MM ONLY		5:1	METRIC	
DRAWN BY	DATE	TITLE		
GRATE MA	2004/03/25	SERIAL ATA RECEPTACLE CABLE END CONNECTOR STRAIGHT TYPE		
CHECKED BY	DATE			
YA JUN	2004/03/25	MOLEX INCORPORATED		
APPROVED BY	DATE			
SAM	2004/03/25	DOCUMENT NO. SD-67489-002 SHEET NO. 2 OF 3		
MATERIAL NO.				
SEE TABLE		THIS DRAWING CONTAINS INFORMATION THAT IS PROPRIETARY TO MOLEX INCORPORATED AND SHOULD NOT BE USED WITHOUT WRITTEN PERMISSION		

DRAWN BY		DATE	TITLE	
GRATE MA		2004/03/25	SERIAL ATA RECEPTACLE CABLE END CONNECTOR STRAIGHT TYPE	
CHECKED BY		DATE		
YA JUN		2004/03/25	MOLEX INCORPORATED	
APPROVED BY		DATE		
SAM		2004/03/25	DOCUMENT NO. SD-67489-002 SHEET NO. 2 OF 3	
MATERIAL NO.				
SEE TABLE		THIS DRAWING CONTAINS INFORMATION THAT IS PROPRIETARY TO MOLEX INCORPORATED AND SHOULD NOT BE USED WITHOUT WRITTEN PERMISSION		

10 9 8 7 6 5 4 3 2 1



DIMENSION REFER TO 67489-9*

P/N	PLATING TYPE	REMARK
67489-6001	GOLD FLASH	WITHOUT METAL LATCH
67489-6002	GOLD PLATED 0.76 MICRONS	AND BUMP TYPE
67489-6005	GOLD PLATED 0.38 MICRONS	



ADD PART NUMBER EC NO: SH2007-0333 DRWN: BCHENZ6 CHKD: JTIAN APPR: JNCHEN	2006/11/09
	2006/11/10
	2006/11/16

QUALITY SYMBOLS	DESCRIPTION
▽=0	
∇=0	

GENERAL TOLERANCES (UNLESS SPECIFIED)		
	mm	INCH
4 PLACES	± ---	± ---
3 PLACES	± ---	± ---
2 PLACES	± 0.2	± ---
1 PLACE	± 0.25	± ---
ANGULAR ± 1 °		
DRAFT WHERE APPLICABLE MUST REMAIN WITHIN DIMENSIONS		

DIMENSION STYLE MM ONLY	
DRAWN BY	DATE
GRATE MA	2004/03/25
CHECKED BY	DATE
YA JUN	2004/03/25
APPROVED BY	DATE
SAM	2004/03/25
MATERIAL NO.	
SEE TABLE	

SCALE 5:1	DESIGN UNITS METRIC	THIRD ANGLE PROJECTION
TITLE SERIAL ATA RECEPTACLE CABLE END CONNECTOR STRAIGHT TYPE		
MOLEX INCORPORATED		
DOCUMENT NO. SD-67489-002		SHEET NO. 3 OF 3
THIS DRAWING CONTAINS INFORMATION THAT IS PROPRIETARY TO MOLEX INCORPORATED AND SHOULD NOT BE USED WITHOUT WRITTEN PERMISSION		

9 8 7 6 5 4 3 2 1

Mouser Electronics

Authorized Distributor

Click to View Pricing, Inventory, Delivery & Lifecycle Information:

[Molex:](#)

[67489-9005](#) [67489-7002](#) [67489-0002](#) [67489-7001](#) [67489-1001](#) [67489-8002](#) [67489-7005](#) [67489-2005](#) [67489-2001](#) [67489-8001](#) [67489-1002](#) [67489-9002](#)