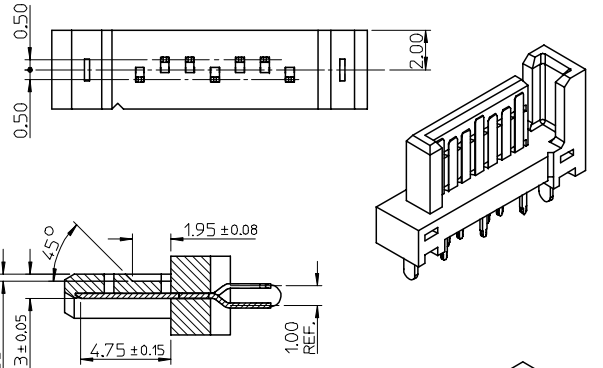
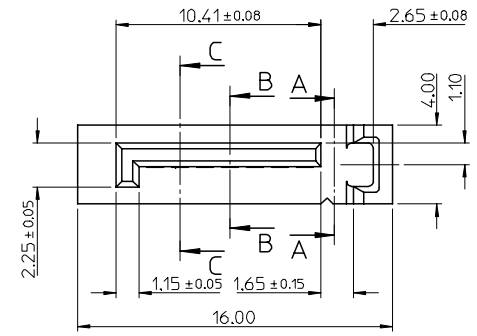
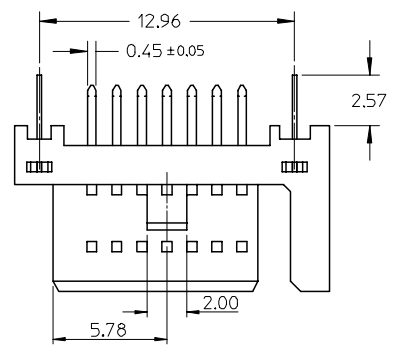
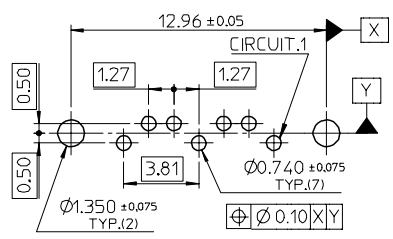
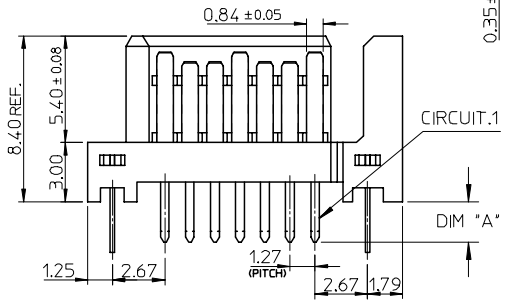
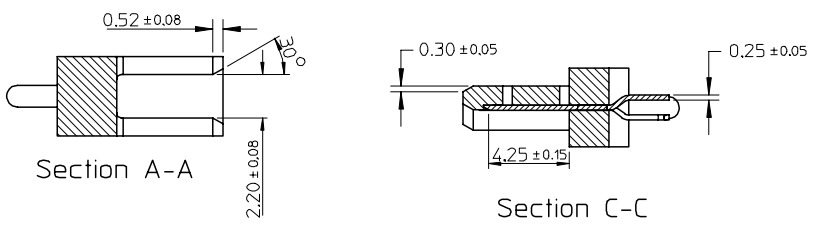


P/N	PLATING TYPE	DIM 'A'	COLOR	SOLDE AREA PLATING
67491-0010	SEE NOTE 2(a)	2.05	BLACK	TIN-LEAD
67491-0011	SEE NOTE 2(b)			
67491-0012	SEE NOTE 2(c)			
67491-0015	SEE NOTE 2(a)	2.35		
67491-0016	SEE NOTE 2(b)			
67491-0017	SEE NOTE 2(c)			
67491-0020	SEE NOTE 2(a)	2.05	BLACK	PURE TIN
67491-0021	SEE NOTE 2(b)			
67491-0022	SEE NOTE 2(c)			
67491-0025	SEE NOTE 2(a)	2.35		
67491-0026	SEE NOTE 2(b)			
67491-0027	SEE NOTE 2(c)			
67491-2020	SEE NOTE 2(a)	2.05	BLUE PANTONE NO. 293C $\Delta E < 3$ ∇	PURE TIN
67491-2021	SEE NOTE 2(b)			
67491-2022	SEE NOTE 2(c)			
67491-2025	SEE NOTE 2(a)	2.35		
67491-2026	SEE NOTE 2(b)			
67491-2027	SEE NOTE 2(c)			



Section B-B



RECOMMEND P.C.B. LAYOUT (t=1.6mm OR 2.0 mm)

- NOTES:
- MATERIAL:
 - HOUSING: THERMAL PLASTIC, UL94V-0, COLOR: SEE CHART
 - TERMINAL/PEG: COPPER ALLOY
 - TERMINAL PLATING:
 - CONTACT AREA: (a) GOLD FLASH
 - (b) 0.76 MICRON GOLD PLATED
 - (c) 0.38 MICRON GOLD PLATED
 - SOLDER TAIL: 1.27 MICRON MINIMUM TIN-LEAD OR TIN PLATED UNDER PLATE: 1.27 MICRON MINIMUM NICKEL PLATED
 - PEG PLATING:
 - 1.27 MICRON MINIMUM TIN-LEAD OR TIN PLATED OVERALL
 - 1.27 MICRON MINIMUM NICKEL UNDER PLATED
 - PACKAGING SPECIFICATION REFER TO PK-67491-001
 - PRODUCT SPECIFICATION REFER TO PS-67491-001
 - MATING PART: 67489
 - RECOMMENDED PROCESS: WAVE SOLDERING

ADD MATERIAL NUMBER EC NO: SH2006-0007 DRWN: JZENG 2005/08/24 CHKD: GRMA 2005/08/26 APPR: YTYAP 2005/08/29	QUALITY SYMBOLS -0 -0	GENERAL TOLERANCES (UNLESS SPECIFIED)	SCALE 4:1	DESIGN UNITS METRIC	THIRD ANGLE PROJECTION	REVISE ON CAD ONLY
		4 PLACES ± --- ± --- 3 PLACES ± --- ± --- 2 PLACES ± 0.15 ± --- 1 PLACE ± 0.25 ± --- ANGULAR ± 3 °	DIMENSION STYLE MM ONLY	TITLE 127MM HIGH SPEED PLUG VERTICLE TYPE		
DRAFT WHERE APPLICABLE MUST REMAIN WITHIN DIMENSIONS	REV DESCRIPTION	APPROVED BY SAM	DATE 2004/02/02	CHECKED BY YA JUN	DATE 2004/02/02	MATERIAL NO. SEE TABLE
		APPROVED BY SAM	DATE 2004/02/02	CHECKED BY YA JUN	DATE 2004/02/02	DOCUMENT NO. SD-67491-001



THIS DRAWING CONTAINS INFORMATION THAT IS PROPRIETARY TO MOLEX INCORPORATED AND SHOULD NOT BE USED WITHOUT WRITTEN PERMISSION