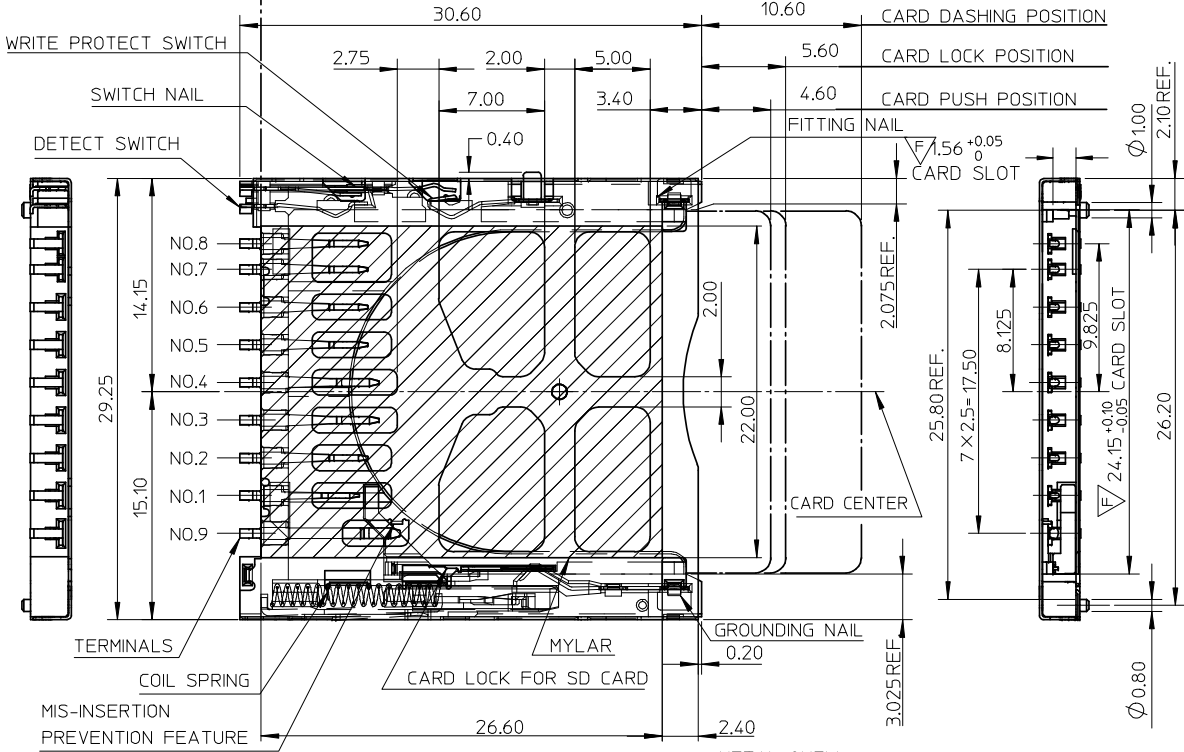
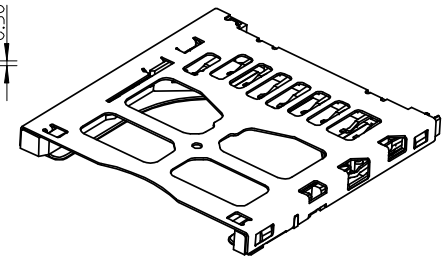
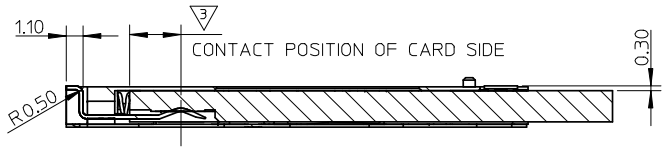
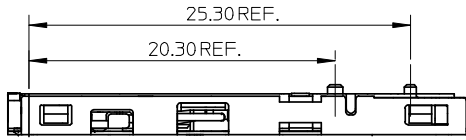


10 9 8 7 6 5 4 3 2 1



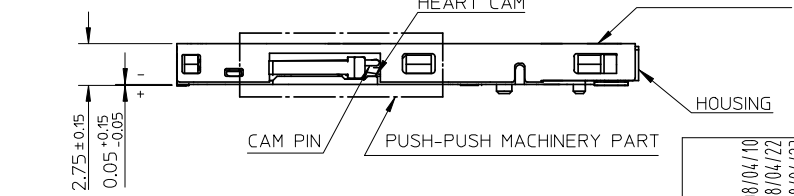
NOTES:  
 1. HOUSING: HIGH TEMPERATURE THERMOPLASTIC.  
 COLOR: BLACK  
 TERMINAL: COPPER ALLOY, SELECTIVE Au PLATING  
 METAL SHELL: STAINLESS STEEL  
 EACH SWITCHES: COPPER ALLOY, SELECTIVE Au PLATING.  
 EACH NAILS: COPPER ALLOY, SELECTIVE AU PLATING.  
 COIL SPRING: STEEL WIRE.  
 CAM PIN: STAINLESS STEEL  
 2. TERMINAL AND NAIL COPLANARITY TO BE 0.1MAX  
 3. CONTACT POSITION OF CARD SIDE

| TERMINAL NO. | CONTACT POSITION |
|--------------|------------------|
| NO.1         | 2.4              |
| NO.2,5,6,7,8 | 2.9              |
| NO.3,4       | 3.4              |
| NO.9         | 5.2              |

4. OPEN/CLOSE OF EACH SWITCH

|                     | PROTECT TERMINAL       |                       | DETECT TERMINAL |
|---------------------|------------------------|-----------------------|-----------------|
|                     | WRITE PROTECT POSITION | WRITE ENABLE POSITION |                 |
| CARD UNINSERTION    | OPEN                   | OPEN                  | OPEN            |
| CARD HALF INSERTION | CLOSE                  | CLOSE                 | OPEN            |
| CARD INSERTION      | OPEN                   | CLOSE                 | CLOSE           |

5. WHEN DELIVERING, THE PUSH/PUSH MECHANISM IS IN THE STATE OF THE UNLOCK.(CARD DASHING OUT POSITION)  
 6. CARD READ ONLY BY THE TIME THE CARD DETECTION.  
 7. I/O CONTACTS, BASED ON SD I/O ASSOC. REV.G.  
 8. PRODUCT SPECIFICATION REFER TO PS-67913-002.



| PART NO.   | DESCRIPTION | REMARK      |
|------------|-------------|-------------|
| 67913-0011 | TIN-LEAD    | FOR SD ONLY |
| 67913-8011 | LEAD-FREE   |             |
| 67913-0008 | TIN-LEAD    | SD/MMC      |
| 67913-8008 | LEAD-FREE   |             |

REVISED  
 EC NO: SH2008-0499  
 DRWNL:SONG09 2008/04/10  
 CHKD:JTIAN 2008/04/22  
 APPR:HWANG 2008/04/23

QUALITY SYMBOLS  
 ▽=0  
 ◁=0

GENERAL TOLERANCES (UNLESS SPECIFIED)  

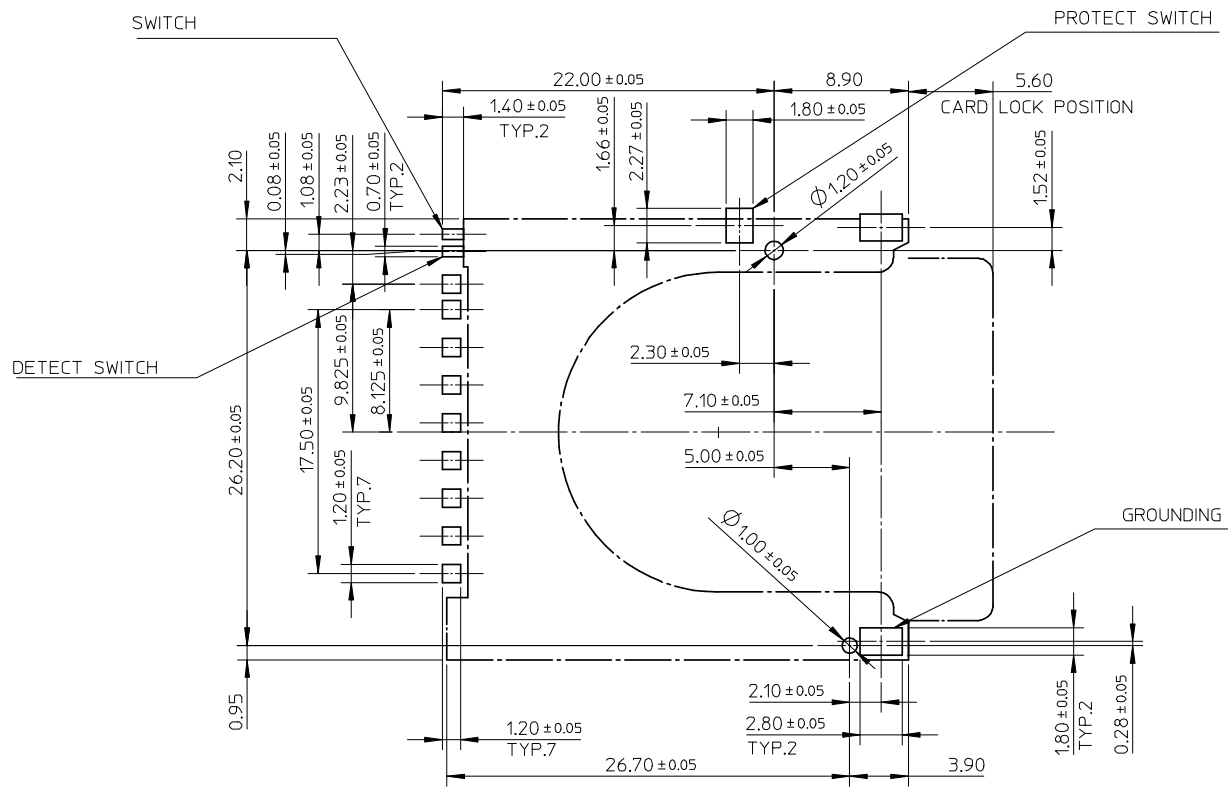
|          | mm     | INCH  |
|----------|--------|-------|
| 4 PLACES | ± ---  | ± --- |
| 3 PLACES | ± ---  | ± --- |
| 2 PLACES | ± 0.25 | ± --- |
| 1 PLACE  | ± 0.25 | ± --- |

 ANGULAR ± 3 °  
 DRAFT WHERE APPLICABLE MUST REMAIN WITHIN DIMENSIONS

DIMENSION STYLE  
 MM ONLY  
 SCALE 3:1  
 DESIGN UNITS METRIC  
 THIRD ANGLE PROJECTION  
 DRAWN BY MAX DATE 2003/02/13  
 CHECKED BY WILSON DATE 2003/02/13  
 APPROVED BY ERICK DATE 2003/02/13  
 MATERIAL NO. SEE TABLE

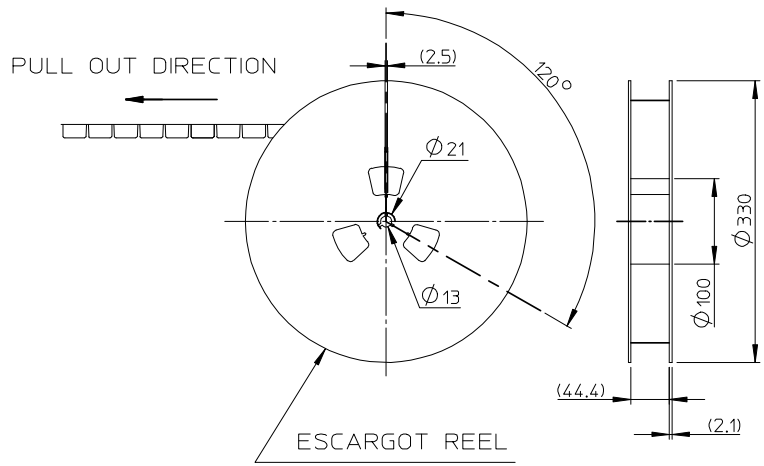
SD/IO CARD CONN.  
 REVERSE TYPE WITH  
 PUSH PUSH  
 MOLEX INCORPORATED  
 DOCUMENT NO. SD-67913-011  
 SHEET NO. 1 OF 3  
 THIS DRAWING CONTAINS INFORMATION THAT IS PROPRIETARY TO MOLEX INCORPORATED AND SHOULD NOT BE USED WITHOUT WRITTEN PERMISSION

9 8 7 6 5 4 3 2 1



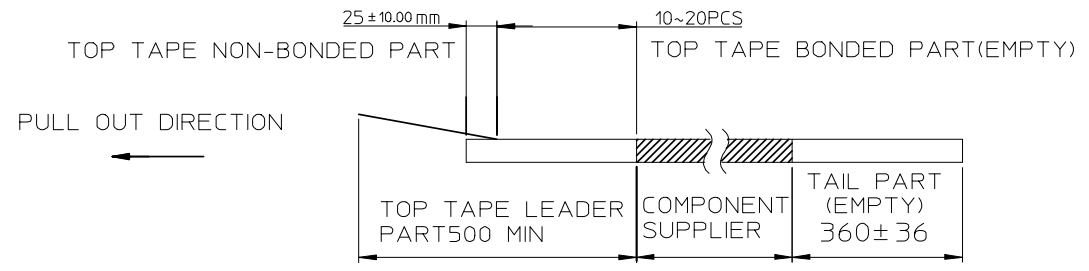
RECOMMENDED P.C.B LAYOUT DIMENSION

|   |                               |                                       |  |                            |              |                    |   |                        |           |  |
|---|-------------------------------|---------------------------------------|--|----------------------------|--------------|--------------------|---|------------------------|-----------|--|
| REVISED<br>EC NO: SH2008-0499<br>DRWNL: SONG09<br>CHKD: J. IAN<br>APPR: H. WANG<br>2008/04/10<br>2008/04/22<br>2008/04/23 | QUALITY SYMBOLS<br>▽=0<br>◻=0 | GENERAL TOLERANCES (UNLESS SPECIFIED) |  | DIMENSION STYLE<br>MM ONLY |              | SCALE<br>3:1       | DESIGN UNITS<br>METRIC  | THIRD ANGLE PROJECTION |           |  |
|   |                               |                                       | mm   | INCH                       | DRAWN BY     | DATE               | TITLE   |                        |           |  |
|   |                               | 4 PLACES                              | ± ---  | ± ---                      | MAX          | 2003/02/13         | SD/IO CARD CONN.<br>REVERSE TYPE WITH<br>PUSH PUSH  |                        |           |  |
|   |                               | 3 PLACES                              | ± ---  | ± ---                      | CHECKED BY   | DATE               |   |                        |           |  |
|   | ± 0.25                        | ± ---                                 | 2 PLACES   | WILSON                     | 2003/02/13   | MOLEX INCORPORATED |   |                        |           |  |
|   | ± 0.25                        | ± ---                                 | 1 PLACE  | ERICK                      | 2003/02/13   |                    |   |                        |           |  |
|   | ANGULAR ± 3 °                 |                                       | DRAFT WHERE APPLICABLE MUST REMAIN WITHIN DIMENSIONS |                            | SEE SHEET 1  |                    | DOCUMENT NO.  |                        | SHEET NO. |  |
|   |                               |                                       |  |                            | MATERIAL NO. |                    | SD-67913-011  |                        | 2 OF 3    |  |
|   |                               |                                       |  |                            | SIZE A3      |                    | THIS DRAWING CONTAINS INFORMATION THAT IS PROPRIETARY TO MOLEX INCORPORATED AND SHOULD NOT BE USED WITHOUT WRITTEN PERMISSION |                        |           |  |

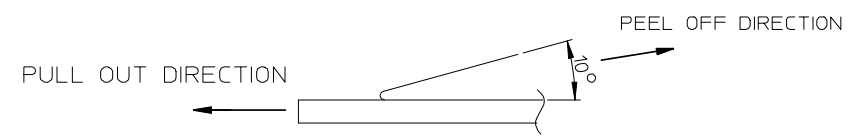


**NOTES**

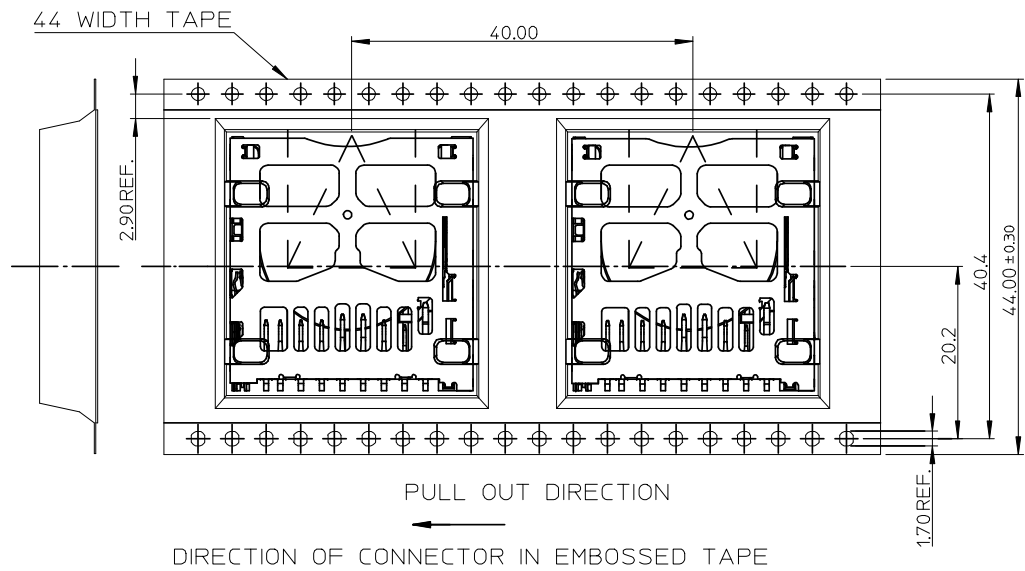
1. NUMBER OF CONNECTORS: 300 PCS/REEL
- 2.



3. PEEL OFF FORCE OF TOP TAPE: 0.1~1.3 N (10.2~130gf)  
PEELING DIRECTION AS SHOWN IN FOLLOWING FIG.)  
(PEEL OFF SPEED: 300mm/min.REF.)



4. PACKAGING DRAWING REFERS TO PK-67913-001.



|  |  |                    |  |  |                     |  |              |   |       |
|--|--|--------------------|--|--|---------------------|--|--------------|---|-------|
| REVISED<br>EC NO: SH2008-0499<br>DR: WNLSONG09<br>CHKD: JTIAN<br>APPR: HWANG | 2008/04/10<br>2008/04/12<br>2008/04/23 | DESCRIPTION<br>REV | QUALITY SYMBOLS  | GENERAL TOLERANCES (UNLESS SPECIFIED)  | DIMENSION STYLE     | SCALE  | DESIGN UNITS | THIRD ANGLE PROJECTION  |       |
|  |  |                    | ▼=0<br>◻=0   | mm    INCH<br>4 PLACES ± --- ± ---<br>3 PLACES ± --- ± ---<br>2 PLACES ± 0.25 ± ---<br>1 PLACE ± 0.25 ± ---<br>ANGULAR ± 3 ° | MM ONLY             | 1:1  | METRIC       | DRAWN BY: MAX    DATE: 2003/02/13<br>CHECKED BY: WILSON    DATE: 2003/02/13<br>APPROVED BY: ERICK    DATE: 2003/02/13 | TITLE |
|  |  |                    | DRAFT WHERE APPLICABLE<br>MUST REMAIN<br>WITHIN DIMENSIONS | SEE SHEET 1  | MOLEX INCORPORATED  | SD/IO CARD CONN.<br>REVERSE TYPE WITH<br>PUSH PUSH |              |   |       |
|  |  |                    | MATERIAL NO.<br>SEE SHEET 1                                | DOCUMENT NO.<br>SD-67913-011   | SHEET NO.<br>3 OF 3 |  |              |   |       |

# Mouser Electronics

Authorized Distributor

Click to View Pricing, Inventory, Delivery & Lifecycle Information:

[Molex:](#)

[67913-8008](#)