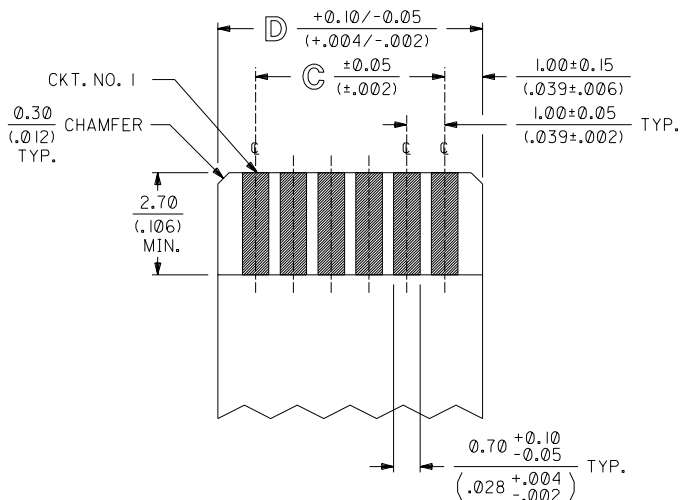


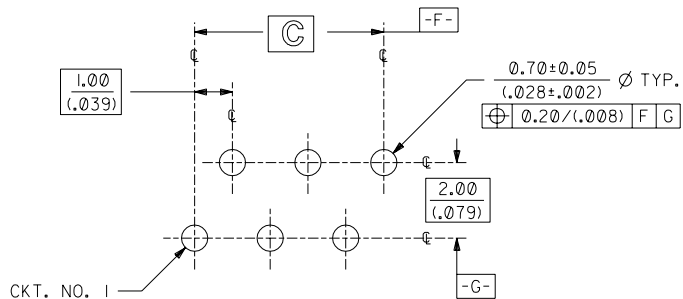
NOTES:

- 1) CONNECTOR MATERIALS:  
HOUSING IS MADE OF NYLON (SEE CHART ON SHEET 2 FOR COLOR) AND ACTUATOR IS MADE OF LCP (LIQUID CRYSTAL POLYMER) (COLOR IS BLUE), BOTH ARE GLASS-FILLED AND RATED U.L. 94V-0; TERMINALS ARE 0.32/(.013) THICK PHOSPHOR BRONZE.
- 2) TERMINAL FINISH:  
5.0 MICROMETERS/200 MICROINCHES MINIMUM TIN OVER 1.3 MICROMETERS/ 50 MICROINCHES MINIMUM NICKEL UNDERPLATE OVERALL.
- 3) THIS CONNECTOR CONFORMS TO PRODUCT SPECIFICATION PS-71226.
- 4) SEE SHEET 2 FOR CONNECTOR PART NUMBERS, PACKAGING OPTIONS, AND DIMENSIONS NOT SHOWN BELOW.



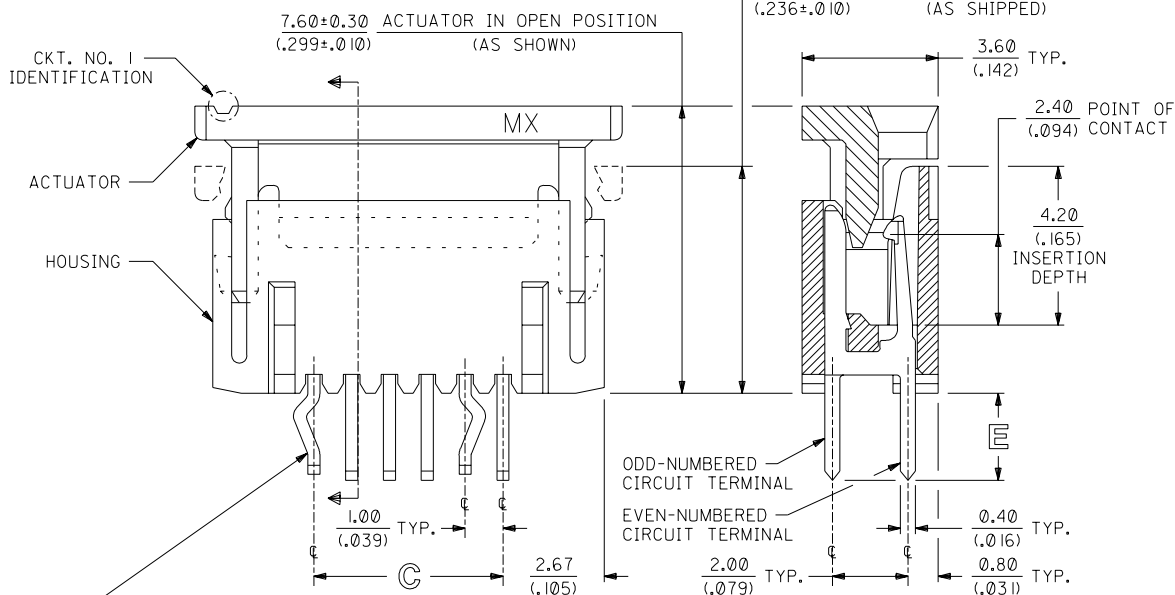
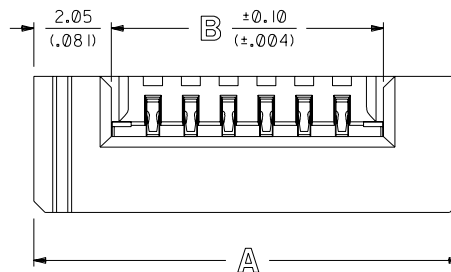
RECOMMENDED FFC DIMENSIONS

FINISHED THICKNESS =  $0.30 \pm 0.05 / (.012 \pm 0.002)$



RECOMMENDED PC BOARD LAYOUT

COMPONENT SIDE IS SHOWN



NOTE FOR LEAD FREE CONVERSION:

THE PRIMARY SHIPPING CARTON WILL BE LABELED "COMPLIANT TO ROHS DIRECTIVE 2002/95/EC AND ELV ANNEX II OF DIRECTIVE 2000/53/EC". CARTONS WITHOUT THIS LABEL MAY CONTAIN PRODUCT WITH LEAD.

DIMENSIONS SHOWN METRIC/(INCHES)

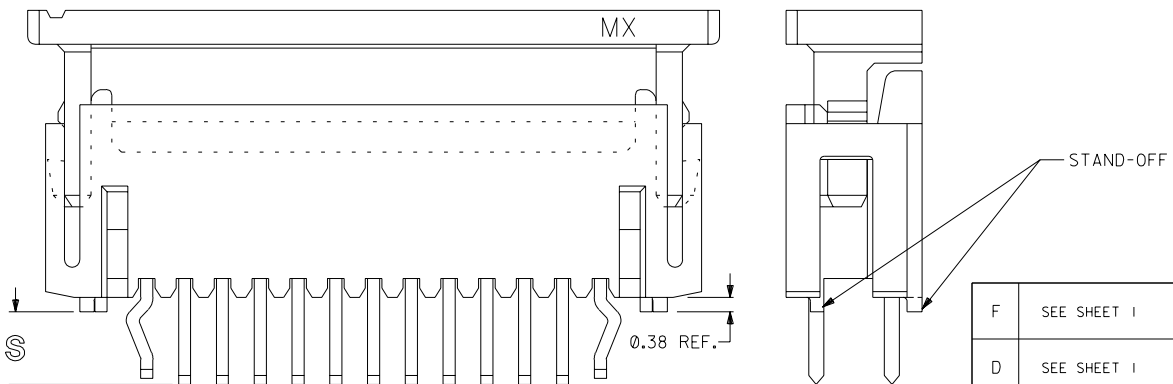
|                    |               |                           |   |                |   |   |   |               |            |            |          |         |       |            |   |           |           |       |          |   |           |                           |      |          |          |     |                           |  |
|--------------------|---------------|---------------------------|---|----------------|---|---|---|---------------|------------|------------|----------|---------|-------|------------|---|-----------|-----------|-------|----------|---|-----------|---------------------------|------|----------|----------|-----|---------------------------|--|
| F                  |               |                           | DELETE TUBE PKG<br>LCP2003-1972<br>RWHITE 03/03/17        | C2             | ADD CKT. NO. 1<br>ECN #UDT1999-0014<br>07/08/98 LMCGRATH        | UNLESS OTHERWISE SPECIFIED<br>TOLERANCES: ANGULAR $\pm 1/2^\circ$   | <table border="1"> <tr> <td>3 PLACE</td> <td><math>\pm .005</math></td> <td>INCH</td> <td>METRIC</td> </tr> <tr> <td>2 PLACE</td> <td><math>\pm</math></td> <td><math>\pm 0.13</math></td> <td></td> </tr> <tr> <td>1 PLACE</td> <td><math>\pm</math></td> <td><math>\pm</math></td> <td></td> </tr> </table> | 3 PLACE       | $\pm .005$ | INCH       | METRIC   | 2 PLACE | $\pm$ | $\pm 0.13$ |   | 1 PLACE   | $\pm$     | $\pm$ |          | <table border="1"> <tr> <td>FILE NAME</td> <td>SD7122607</td> <td>DATE</td> <td>12/16/92</td> </tr> <tr> <td>APP'D BY</td> <td>DGN</td> <td>REVISE ONLY ON CAD SYSTEM</td> <td></td> </tr> </table> | FILE NAME | SD7122607                 | DATE | 12/16/92 | APP'D BY | DGN | REVISE ONLY ON CAD SYSTEM |  |
| 3 PLACE            | $\pm .005$    | INCH                      | METRIC  |                |   |   |   |               |            |            |          |         |       |            |   |           |           |       |          |   |           |                           |      |          |          |     |                           |  |
| 2 PLACE            | $\pm$         | $\pm 0.13$                |   |                |   |   |   |               |            |            |          |         |       |            |   |           |           |       |          |   |           |                           |      |          |          |     |                           |  |
| 1 PLACE            | $\pm$         | $\pm$                     |   |                |   |   |   |               |            |            |          |         |       |            |   |           |           |       |          |   |           |                           |      |          |          |     |                           |  |
| FILE NAME          | SD7122607     | DATE                      | 12/16/92  |                |   |   |   |               |            |            |          |         |       |            |   |           |           |       |          |   |           |                           |      |          |          |     |                           |  |
| APP'D BY           | DGN           | REVISE ONLY ON CAD SYSTEM |   |                |   |   |   |               |            |            |          |         |       |            |   |           |           |       |          |   |           |                           |      |          |          |     |                           |  |
| E                  |               |                           | MOD HSG GEOMETRY<br>ECN #UDT1999-1104<br>DMORGAN 99/07/09 | C1             | ADD PKG SPEC<br>ECN #UDT1998-0299<br>05/26/98 LMCGRATH          | <table border="1"> <tr> <td>MOLEX INCORPORATED</td> <td>SHEET NO.</td> <td>DATE</td> </tr> <tr> <td>LITSE,ILL.</td> <td>60532</td> <td>U.S.A.</td> </tr> </table>             | MOLEX INCORPORATED  | SHEET NO.     | DATE       | LITSE,ILL. | 60532    | U.S.A.  |       |            |   |           |           |       |          |   |           |                           |      |          |          |     |                           |  |
| MOLEX INCORPORATED | SHEET NO.     | DATE                      |   |                |   |   |   |               |            |            |          |         |       |            |   |           |           |       |          |   |           |                           |      |          |          |     |                           |  |
| LITSE,ILL.         | 60532         | U.S.A.                    |   |                |   |   |   |               |            |            |          |         |       |            |   |           |           |       |          |   |           |                           |      |          |          |     |                           |  |
| G                  |               |                           | LEAD FREE CONV<br>ECN UCP2004-2092<br>RKADAMS 04/04/22    | D              | ADDED TOL. & BASIC BOXES<br>PER EC # U81224<br>J. LONG 97/11/20 | <table border="1"> <tr> <td>DRWG. BY</td> <td>GLT</td> <td>CHK'D BY</td> <td>CAB</td> </tr> <tr> <td>APP'D BY</td> <td>CAB</td> <td>SCALE</td> <td>10 : 1</td> </tr> </table> | DRWG. BY  | GLT           | CHK'D BY   | CAB        | APP'D BY | CAB     | SCALE | 10 : 1     | <table border="1"> <tr> <td>FILE NAME</td> <td>SD7122607</td> <td>DATE</td> <td>12/16/92</td> </tr> <tr> <td>APP'D BY</td> <td>DGN</td> <td>REVISE ONLY ON CAD SYSTEM</td> <td></td> </tr> </table> | FILE NAME | SD7122607 | DATE  | 12/16/92 | APP'D BY  | DGN       | REVISE ONLY ON CAD SYSTEM |      |          |          |     |                           |  |
| DRWG. BY           | GLT           | CHK'D BY                  | CAB   |                |   |   |   |               |            |            |          |         |       |            |   |           |           |       |          |   |           |                           |      |          |          |     |                           |  |
| APP'D BY           | CAB           | SCALE                     | 10 : 1  |                |   |   |   |               |            |            |          |         |       |            |   |           |           |       |          |   |           |                           |      |          |          |     |                           |  |
| FILE NAME          | SD7122607     | DATE                      | 12/16/92  |                |   |   |   |               |            |            |          |         |       |            |   |           |           |       |          |   |           |                           |      |          |          |     |                           |  |
| APP'D BY           | DGN           | REVISE ONLY ON CAD SYSTEM |   |                |   |   |   |               |            |            |          |         |       |            |   |           |           |       |          |   |           |                           |      |          |          |     |                           |  |
| LTR. REVISIONS     |               |                           | LTR. REVISIONS  | LTR. REVISIONS | LTR. REVISIONS  | <table border="1"> <tr> <td>DRWG. NO.</td> <td>SD-71226-***5</td> </tr> <tr> <td>DIV.</td> <td>CPP</td> </tr> </table>  | DRWG. NO.   | SD-71226-***5 | DIV.       | CPP        |          |         |       |            |   |           |           |       |          |   |           |                           |      |          |          |     |                           |  |
| DRWG. NO.          | SD-71226-***5 |                           |   |                |   |   |   |               |            |            |          |         |       |            |   |           |           |       |          |   |           |                           |      |          |          |     |                           |  |
| DIV.               | CPP           |                           |   |                |   |   |   |               |            |            |          |         |       |            |   |           |           |       |          |   |           |                           |      |          |          |     |                           |  |

|   |   |
|---|---|
| 2 | F |
| 1 | G |

MFG. SH. REV.

SEE SHEET 2  
SD-71226-\*\*\*5

| CKT SIZE | ITEM NUMBER | HOUSING COLOR | X=NOT TOOLED | DIM A         | DIM B         | DIM C         | DIM D         | DIM E                    |
|----------|-------------|---------------|--------------|---------------|---------------|---------------|---------------|--------------------------|
| 4        | 71226-0425  | NATURAL       |              | 9.30/(.366)   | 5.20/(.205)   | 3.00/(.118)   | 5.00/(.197)   | 2.25±0.20<br>(.089±.008) |
| 6        | 71226-0625  | NATURAL       |              | 11.30/(.445)  | 7.20/(.283)   | 5.00/(.197)   | 7.00/(.276)   |                          |
| 8        | 71226-0825  | NATURAL       |              | 13.30/(.524)  | 9.20/(.362)   | 7.00/(.276)   | 9.00/(.354)   |                          |
| 10       | 71226-1025  | NATURAL       |              | 15.30/(.602)  | 11.20/(.441)  | 9.00/(.354)   | 11.00/(.433)  |                          |
| 12       | 71226-1225  | NATURAL       |              | 17.30/(.681)  | 13.20/(.520)  | 11.00/(.433)  | 13.00/(.512)  |                          |
| 14       | 71226-1425  | NATURAL       |              | 19.30/(.760)  | 15.20/(.598)  | 13.00/(.512)  | 15.00/(.591)  |                          |
| 16       | 71226-1625  | NATURAL       |              | 21.30/(.839)  | 17.20/(.677)  | 15.00/(.591)  | 17.00/(.669)  |                          |
| 18       | 71226-1825  | NATURAL       |              | 23.30/(.917)  | 19.20/(.756)  | 17.00/(.669)  | 19.00/(.748)  |                          |
| 20       | 71226-2025  | NATURAL       |              | 25.30/(.996)  | 21.20/(.835)  | 19.00/(.748)  | 21.00/(.827)  |                          |
| 22       | 71226-2225  | NATURAL       |              | 27.30/(1.075) | 23.20/(.913)  | 21.00/(.827)  | 23.00/(.906)  |                          |
| 24       | 71226-2425  | NATURAL       |              | 29.30/(1.154) | 25.20/(.992)  | 23.00/(.906)  | 25.00/(.984)  |                          |
| 26       | 71226-2625  | NATURAL       |              | 31.30/(1.232) | 27.20/(1.071) | 25.00/(.984)  | 27.00/(1.063) |                          |
| 28       | 71226-2825  | NATURAL       |              | 33.30/(1.311) | 29.20/(1.150) | 27.00/(1.063) | 29.00/(1.142) |                          |
| 30       | 71226-3025  | NATURAL       |              | 35.30/(1.390) | 31.20/(1.228) | 29.00/(1.142) | 31.00/(1.220) |                          |
| 40       | 71226-4025  | NATURAL       | X            | 45.30/(1.783) | 41.20/(1.622) | 39.00/(1.536) | 41.00/(1.614) |                          |
| 4        | 71226-0435  | NATURAL       |              | 9.30/(.366)   | 5.20/(.205)   | 3.00/(.118)   | 5.00/(.197)   | 3.15±0.20<br>(.124±.008) |
| 6        | 71226-0635  | NATURAL       |              | 11.30/(.445)  | 7.20/(.283)   | 5.00/(.197)   | 7.00/(.276)   |                          |
| 8        | 71226-0835  | NATURAL       |              | 13.30/(.524)  | 9.20/(.362)   | 7.00/(.276)   | 9.00/(.354)   |                          |
| 10       | 71226-1035  | NATURAL       |              | 15.30/(.602)  | 11.20/(.441)  | 9.00/(.354)   | 11.00/(.433)  |                          |
| 12       | 71226-1235  | NATURAL       |              | 17.30/(.681)  | 13.20/(.520)  | 11.00/(.433)  | 13.00/(.512)  |                          |
| 14       | 71226-1435  | NATURAL       |              | 19.30/(.760)  | 15.20/(.598)  | 13.00/(.512)  | 15.00/(.591)  |                          |
| 16       | 71226-1635  | NATURAL       |              | 21.30/(.839)  | 17.20/(.677)  | 15.00/(.591)  | 17.00/(.669)  |                          |
| 18       | 71226-1835  | NATURAL       |              | 23.30/(.917)  | 19.20/(.756)  | 17.00/(.669)  | 19.00/(.748)  |                          |
| 20       | 71226-2035  | NATURAL       |              | 25.30/(.996)  | 21.20/(.835)  | 19.00/(.748)  | 21.00/(.827)  |                          |
| 22       | 71226-2235  | NATURAL       |              | 27.30/(1.075) | 23.20/(.913)  | 21.00/(.827)  | 23.00/(.906)  |                          |
| 24       | 71226-2435  | NATURAL       |              | 29.30/(1.154) | 25.20/(.992)  | 23.00/(.906)  | 25.00/(.984)  |                          |
| 26       | 71226-2635  | NATURAL       |              | 31.30/(1.232) | 27.20/(1.071) | 25.00/(.984)  | 27.00/(1.063) |                          |
| 28       | 71226-2835  | NATURAL       |              | 33.30/(1.311) | 29.20/(1.150) | 27.00/(1.063) | 29.00/(1.142) |                          |
| 30       | 71226-3035  | NATURAL       |              | 35.30/(1.390) | 31.20/(1.228) | 29.00/(1.142) | 31.00/(1.220) |                          |
| 40       | 71226-4035  | NATURAL       | X            | 45.30/(1.783) | 41.20/(1.622) | 39.00/(1.536) | 41.00/(1.614) |                          |
| 26       | 71226-2675  | NATURAL       |              | 31.30/(1.232) | 27.20/(1.071) | 25.00/(.984)  | 27.00/(1.063) | 2.77±0.20<br>(.109±.008) |



STAND-OFF OPTION (71226-2675 SHOWN)  
SEE SHEET I FOR DIMENSION NOT SHOWN

PACKAGED IN TRAYS PER PK-70873-0246

| DIMENSIONS SHOWN METRIC/(INCH) |             | MFG. | SH.         | REV.  |
|--------------------------------|-------------|------|-------------|---|
| F                              | SEE SHEET I | B    | SEE SHEET I | UNLESS OTHERWISE SPECIFIED TOLERANCES: ANGULAR ± 1/2° |
| D                              | SEE SHEET I | AI   | SEE SHEET I | 5 PLACE ± — — — — —                                   |
| CI                             | SEE SHEET I | A    | SEE SHEET I | 2 PLACE ± — — — — —                                   |
| LTR.                           | REVISIONS   | LTR. | REVISIONS   | 1 PLACE — — — — ± — — — —                             |

|  |                |                          |
|--|----------------|--------------------------|
| DRWG. BY: GLT  | CHK'D. BY: CAB | DATE: 12/16/92           |
| APP'D. BY: CAB   | SCALE: :       | REV. NO.: 2              |
| TITLE: SEE CHART   |                | DRWG. NO.: SD-71226-***5 |
| FILE NAME: SD7122608B.DGN  |                | DIV.:                    |
| THIS DRAWING CONTAINS INFORMATION THAT IS PROPRIETARY TO MOLEX INC. AND SHOULD NOT BE USED WITHOUT WRITTEN PERMISSION. |                | SIZE: CPP                |

71226