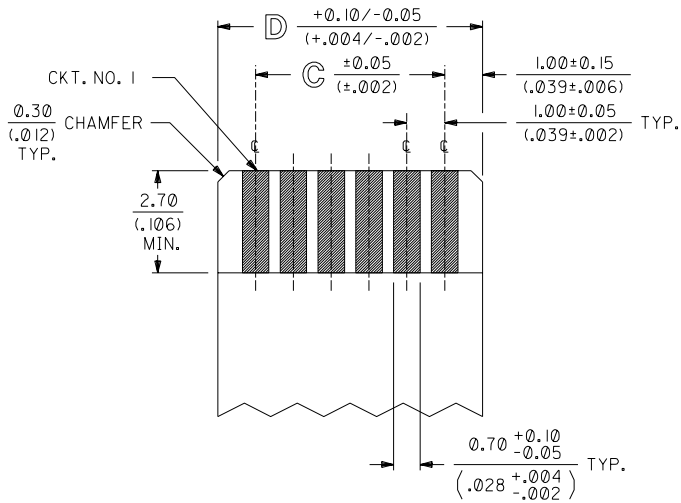


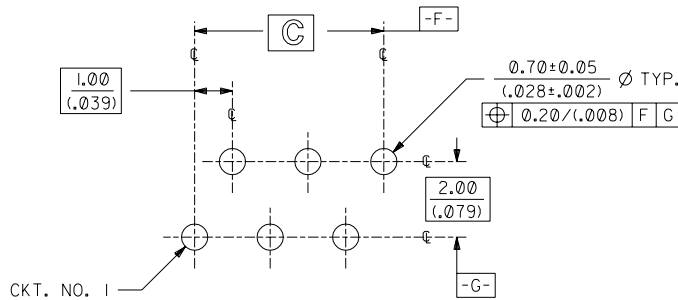
NOTES:

- CONNECTOR MATERIALS:  
HOUSING IS MADE OF NYLON (SEE CHART ON SHEET 2 FOR COLOR) AND ACTUATOR IS MADE OF LCP (LIQUID CRYSTAL POLYMER) (COLOR IS BLUE), BOTH ARE GLASS-FILLED AND RATED U.L. 94V-0; TERMINALS ARE 0.32/(.013) THICK PHOSPHOR BRONZE.
- TERMINAL FINISH:  
5.0 MICROMETERS/200 MICROINCHES MINIMUM TIN OVER 1.3 MICROMETERS/ 50 MICROINCHES MINIMUM NICKEL UNDERPLATE OVERALL.
- THIS CONNECTOR CONFORMS TO PRODUCT SPECIFICATION PS-71226.
- SEE SHEET 2 FOR CONNECTOR PART NUMBERS, PACKAGING OPTIONS, AND DIMENSIONS NOT SHOWN BELOW.



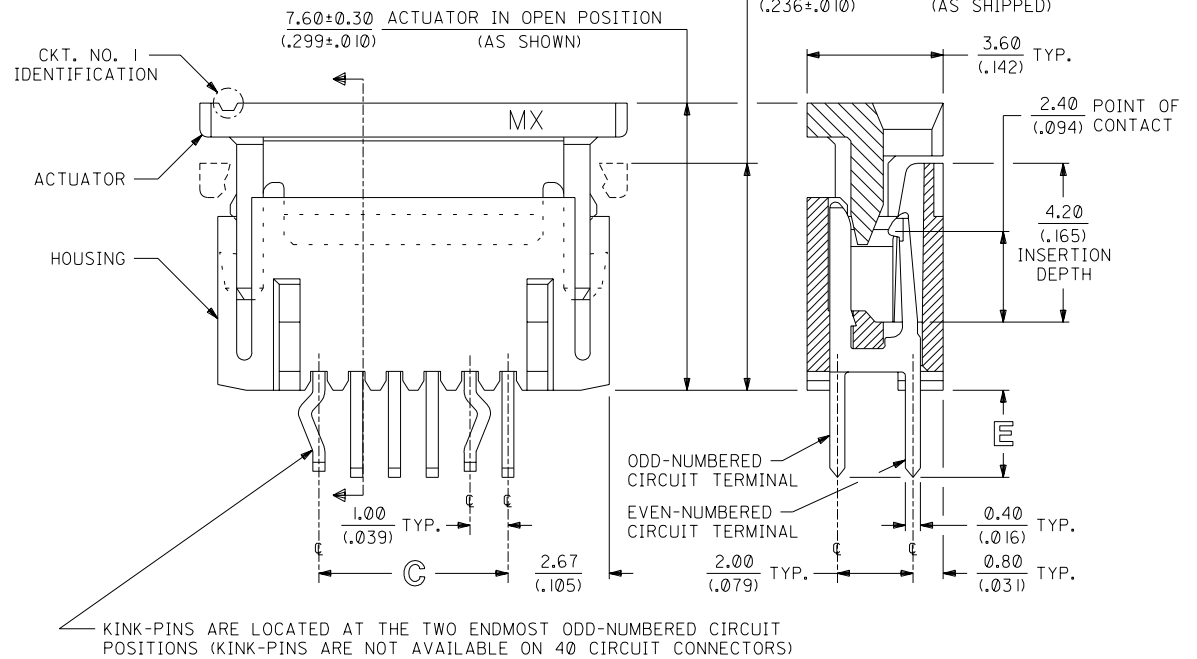
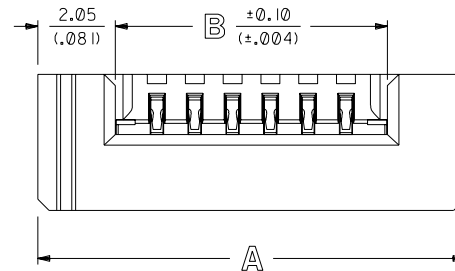
RECOMMENDED FFC DIMENSIONS

FINISHED THICKNESS =  $0.30 \pm 0.05 / (.012 \pm 0.002)$



RECOMMENDED PC BOARD LAYOUT

COMPONENT SIDE IS SHOWN



NOTE FOR LEAD FREE CONVERSION:

THE PRIMARY SHIPPING CARTON WILL BE LABELED "COMPLIANT TO ROHS DIRECTIVE 2002/95/EC AND ELV ANNEX II OF DIRECTIVE 2000/53/EC". CARTONS WITHOUT THIS LABEL MAY CONTAIN PRODUCT WITH LEAD.

DIMENSIONS SHOWN METRIC/(INCHES)

F			DELETE TUBE PKG LCP2003-1972 RWHITE 03/03/17	C2	ADD CKT. NO. 1 ECN #UDT1999-0014 07/08/98 LMCGRATH	UNLESS OTHERWISE SPECIFIED TOLERANCES: ANGULAR $\pm 1/2^\circ$	<table border="1"> <tr> <th colspan="2">INCH</th> <th colspan="2">METRIC</th> </tr> <tr> <td>3 PLACE</td> <td><math>\pm .005</math></td> <td></td> <td></td> </tr> <tr> <td>2 PLACE</td> <td><math>\pm</math></td> <td><math>\pm 0.13</math></td> <td></td> </tr> <tr> <td>1 PLACE</td> <td><math>\pm</math></td> <td><math>\pm</math></td> <td></td> </tr> </table>	INCH		METRIC		3 PLACE	$\pm .005$			2 PLACE	$\pm$	$\pm 0.13$		1 PLACE	$\pm$	$\pm$		<table border="1"> <tr> <td>FILE NAME</td> <td>SD7122607</td> <td>THIS DRAWING CONTAINS INFORMATION THAT IS PROPRIETARY TO MOLEX INC. AND SHOULD NOT BE USED WITHOUT WRITTEN PERMISSION.</td> <td>DATE</td> <td>12/16/92</td> </tr> <tr> <td>DRWG. NO.</td> <td>SD-71226-***5</td> <td></td> <td>SHEET NO.</td> <td>1 OF 2</td> </tr> </table>	FILE NAME	SD7122607	THIS DRAWING CONTAINS INFORMATION THAT IS PROPRIETARY TO MOLEX INC. AND SHOULD NOT BE USED WITHOUT WRITTEN PERMISSION.	DATE	12/16/92	DRWG. NO.	SD-71226-***5		SHEET NO.	1 OF 2
INCH		METRIC																																
3 PLACE	$\pm .005$																																	
2 PLACE	$\pm$	$\pm 0.13$																																
1 PLACE	$\pm$	$\pm$																																
FILE NAME	SD7122607	THIS DRAWING CONTAINS INFORMATION THAT IS PROPRIETARY TO MOLEX INC. AND SHOULD NOT BE USED WITHOUT WRITTEN PERMISSION.	DATE	12/16/92																														
DRWG. NO.	SD-71226-***5		SHEET NO.	1 OF 2																														
E			MOD HSG GEOMETRY ECN #UDT1999-1104 DMORGAN 99/07/09	C1	ADD PKG SPEC ECN #UDT1998-0299 05/26/98 LMCGRATH	<table border="1"> <tr> <td>DRWG. BY</td> <td>GLT</td> <td>CHK'D. BY</td> <td>CAB</td> </tr> <tr> <td>APP'D. BY</td> <td>CAB</td> <td>SCALE</td> <td>10 : 1</td> </tr> </table>	DRWG. BY	GLT	CHK'D. BY	CAB	APP'D. BY	CAB	SCALE	10 : 1	<table border="1"> <tr> <td>MOLEX INCORPORATED</td> <td>60532</td> <td>U.S.A.</td> </tr> </table>	MOLEX INCORPORATED	60532	U.S.A.																
DRWG. BY	GLT	CHK'D. BY	CAB																															
APP'D. BY	CAB	SCALE	10 : 1																															
MOLEX INCORPORATED	60532	U.S.A.																																
G			LEAD FREE CONV ECN UCP2004-2092 RKADAMS 04/04/22	D	ADD P/N -2675 ECN #UDT1999-0824 DMORGAN 99/04/06																													
LTR.	REVISIONS	LTR.	REVISIONS	LTR.	REVISIONS																													

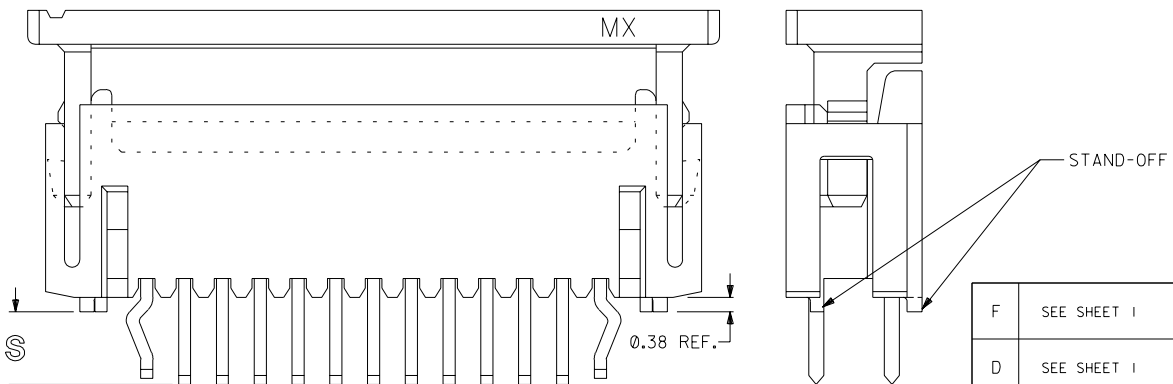
2	F
1	G

MFG. SH. REV.

SD7122607  
DGN

CPP C

CKT SIZE	ITEM NUMBER	HOUSING COLOR	X=NOT TOOLED	DIM A	DIM B	DIM C	DIM D	DIM E
4	71226-0425	NATURAL		9.30/(.366)	5.20/(.205)	3.00/(.118)	5.00/(.197)	2.25±0.20 (.089±.008)
6	71226-0625	NATURAL		11.30/(.445)	7.20/(.283)	5.00/(.197)	7.00/(.276)	
8	71226-0825	NATURAL		13.30/(.524)	9.20/(.362)	7.00/(.276)	9.00/(.354)	
10	71226-1025	NATURAL		15.30/(.602)	11.20/(.441)	9.00/(.354)	11.00/(.433)	
12	71226-1225	NATURAL		17.30/(.681)	13.20/(.520)	11.00/(.433)	13.00/(.512)	
14	71226-1425	NATURAL		19.30/(.760)	15.20/(.598)	13.00/(.512)	15.00/(.591)	
16	71226-1625	NATURAL		21.30/(.839)	17.20/(.677)	15.00/(.591)	17.00/(.669)	
18	71226-1825	NATURAL		23.30/(.917)	19.20/(.756)	17.00/(.669)	19.00/(.748)	
20	71226-2025	NATURAL		25.30/(.996)	21.20/(.835)	19.00/(.748)	21.00/(.827)	
22	71226-2225	NATURAL		27.30/(1.075)	23.20/(.913)	21.00/(.827)	23.00/(.906)	
24	71226-2425	NATURAL		29.30/(1.154)	25.20/(.992)	23.00/(.906)	25.00/(.984)	
26	71226-2625	NATURAL		31.30/(1.232)	27.20/(1.071)	25.00/(.984)	27.00/(1.063)	
28	71226-2825	NATURAL		33.30/(1.311)	29.20/(1.150)	27.00/(1.063)	29.00/(1.142)	
30	71226-3025	NATURAL		35.30/(1.390)	31.20/(1.228)	29.00/(1.142)	31.00/(1.220)	
40	71226-4025	NATURAL	X	45.30/(1.783)	41.20/(1.622)	39.00/(1.536)	41.00/(1.614)	
4	71226-0435	NATURAL		9.30/(.366)	5.20/(.205)	3.00/(.118)	5.00/(.197)	3.15±0.20 (.124±.008)
6	71226-0635	NATURAL		11.30/(.445)	7.20/(.283)	5.00/(.197)	7.00/(.276)	
8	71226-0835	NATURAL		13.30/(.524)	9.20/(.362)	7.00/(.276)	9.00/(.354)	
10	71226-1035	NATURAL		15.30/(.602)	11.20/(.441)	9.00/(.354)	11.00/(.433)	
12	71226-1235	NATURAL		17.30/(.681)	13.20/(.520)	11.00/(.433)	13.00/(.512)	
14	71226-1435	NATURAL		19.30/(.760)	15.20/(.598)	13.00/(.512)	15.00/(.591)	
16	71226-1635	NATURAL		21.30/(.839)	17.20/(.677)	15.00/(.591)	17.00/(.669)	
18	71226-1835	NATURAL		23.30/(.917)	19.20/(.756)	17.00/(.669)	19.00/(.748)	
20	71226-2035	NATURAL		25.30/(.996)	21.20/(.835)	19.00/(.748)	21.00/(.827)	
22	71226-2235	NATURAL		27.30/(1.075)	23.20/(.913)	21.00/(.827)	23.00/(.906)	
24	71226-2435	NATURAL		29.30/(1.154)	25.20/(.992)	23.00/(.906)	25.00/(.984)	
26	71226-2635	NATURAL		31.30/(1.232)	27.20/(1.071)	25.00/(.984)	27.00/(1.063)	
28	71226-2835	NATURAL		33.30/(1.311)	29.20/(1.150)	27.00/(1.063)	29.00/(1.142)	
30	71226-3035	NATURAL		35.30/(1.390)	31.20/(1.228)	29.00/(1.142)	31.00/(1.220)	
40	71226-4035	NATURAL	X	45.30/(1.783)	41.20/(1.622)	39.00/(1.536)	41.00/(1.614)	
26	71226-2675	NATURAL		31.30/(1.232)	27.20/(1.071)	25.00/(.984)	27.00/(1.063)	2.77±0.20 (.109±.008)



STAND-OFF OPTION (71226-2675 SHOWN)  
SEE SHEET I FOR DIMENSION NOT SHOWN

PACKAGED IN TRAYS PER PK-70873-0246

DIMENSIONS SHOWN METRIC/(INCH)		MFG.	SH.	REV.
F	SEE SHEET I	B	SEE SHEET I	UNLESS OTHERWISE SPECIFIED TOLERANCES: ANGULAR ± 1/2°
D	SEE SHEET I	AI	SEE SHEET I	5 PLACE ± — — — — —
CI	SEE SHEET I	A	SEE SHEET I	2 PLACE ± — — — — —
LTR.	REVISIONS	LTR.	REVISIONS	1 PLACE — — — — ± — — — —

DRWG. BY: GLT	CHK'D. BY: CAB	DATE: 12/16/92
APP'D. BY: CAB	SCALE: :	REV. NO.: 2
TITLE: SEE CHART		DRWG. NO.: SD-71226-***5
FILE NAME: SD7122608.DGN		DIV. SIZE: CPP/C

REVISIONS: 0 = 0, 1 = 0, 2 = 0, 3 = 0, 4 = 0, 5 = 0, 6 = 0, 7 = 0, 8 = 0, 9 = 0, 10 = 0, 11 = 0, 12 = 0, 13 = 0, 14 = 0, 15 = 0, 16 = 0, 17 = 0, 18 = 0, 19 = 0, 20 = 0, 21 = 0, 22 = 0, 23 = 0, 24 = 0, 25 = 0, 26 = 0, 27 = 0, 28 = 0, 29 = 0, 30 = 0, 31 = 0, 32 = 0, 33 = 0, 34 = 0, 35 = 0, 36 = 0, 37 = 0, 38 = 0, 39 = 0, 40 = 0, 41 = 0, 42 = 0, 43 = 0, 44 = 0, 45 = 0, 46 = 0, 47 = 0, 48 = 0, 49 = 0, 50 = 0, 51 = 0, 52 = 0, 53 = 0, 54 = 0, 55 = 0, 56 = 0, 57 = 0, 58 = 0, 59 = 0, 60 = 0, 61 = 0, 62 = 0, 63 = 0, 64 = 0, 65 = 0, 66 = 0, 67 = 0, 68 = 0, 69 = 0, 70 = 0, 71 = 0, 72 = 0, 73 = 0, 74 = 0, 75 = 0, 76 = 0, 77 = 0, 78 = 0, 79 = 0, 80 = 0, 81 = 0, 82 = 0, 83 = 0, 84 = 0, 85 = 0, 86 = 0, 87 = 0, 88 = 0, 89 = 0, 90 = 0, 91 = 0, 92 = 0, 93 = 0, 94 = 0, 95 = 0, 96 = 0, 97 = 0, 98 = 0, 99 = 0, 100 = 0