

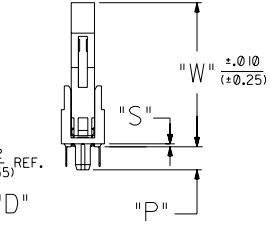
RECOMMENDED P.C. BOARD HOLE PATTERN (CONNECTOR SIDE)

- NOTES:
- CARD SLOT ACCEPTS .050±.004 (1.27±0.10) MODULE THICKNESS. (MEASURED OVER P.C. PADS).
 - ALL PEGS ARE INTERFERENCE FITS TO PCB UNLESS NOTED ON THE DWG.
 - REFER TO PRODUCT SPEC PS-71243-9999 FOR PERFORMANCE SPECIFICATIONS.
 - PRODUCT IS PACKAGED IN TRAYS.
 - RECOMMENDED MODULE LAYOUT SHALL BE PER JEDEC MO-161.
 - RECOMMENDED PLATING ON MODULE PADS: 30 MICROINCH/(0.76 MICROMETER) MINIMUM HARD GOLD (Au) OVER 79 MICROINCH/(2.0 MICROMETER) MINIMUM NICKEL (Ni).
 - SEE CHART FOR HOLE SIZE AND PRESENCE AND PLATING OPTION.
 - PRODUCT WILL HAVE DATE CODE STAMPED ON SIDE OF HOUSING.

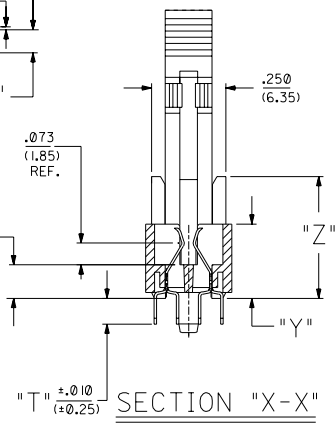
MATERIALS:
 HOUSING - GLASS FILLED LIQUID CRYSTAL POLYMER (LCP), UL 94V-0, COLOR: BLACK.
 TERMINAL - PHOSPHOR BRONZE
 LATCHES - GLASS FILLED HIGH TEMPERATURE NYLON, UL 94V-0, COLOR: IVORY.

PLATING:
 CONTACT AREA: OPTION A: GOLD (Au) FLASH; THICKNESS=2-10 MICROINCH/(0.05-0.25 (0.05-0.25 MICROMETER), OVER PALLADIUM-NICKEL (Pd-Ni): THICKNESS=30 MICROINCH/(0.76 MICROMETER) MINIMUM.
 OPTION B: GOLD (Au) FLASH; THICKNESS=2-10 MICROINCH/(0.05-0.25 MICROMETER), OVER PALLADIUM-NICKEL (Pd-Ni): THICKNESS=20 MICROINCH/(0.51 MICROMETER) MINIMUM.

SOLDER TAILS: TIN (Sn); THICKNESS=150 MICROINCH/(3.81 MICROMETER) MINIMUM.
 UNDERPLATE: NICKEL (Ni) OVER ENTIRE CONTACT.



NOTE FOR LEAD FREE CONVERSION:
 THE PRIMARY SHIPPING CARTON WILL BE LABELED *COMPLIANT TO ROHS DIRECTIVE 2002/95/EC AND ELV ANNEX II OF DIRECTIVE 2000/53/EC*. CARTONS WITHOUT THIS LABEL MAY CONTAIN PRODUCT WITH LEAD.

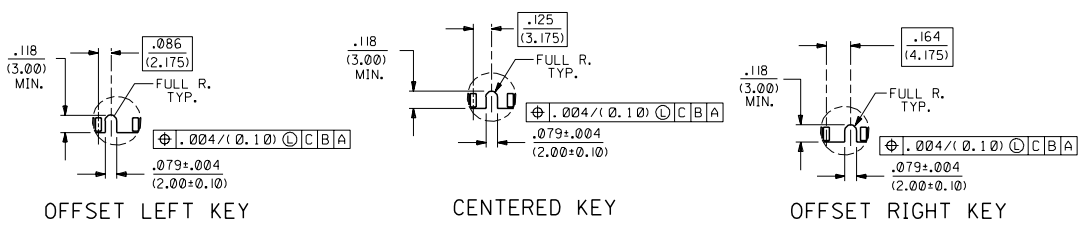


SCALE 4:1

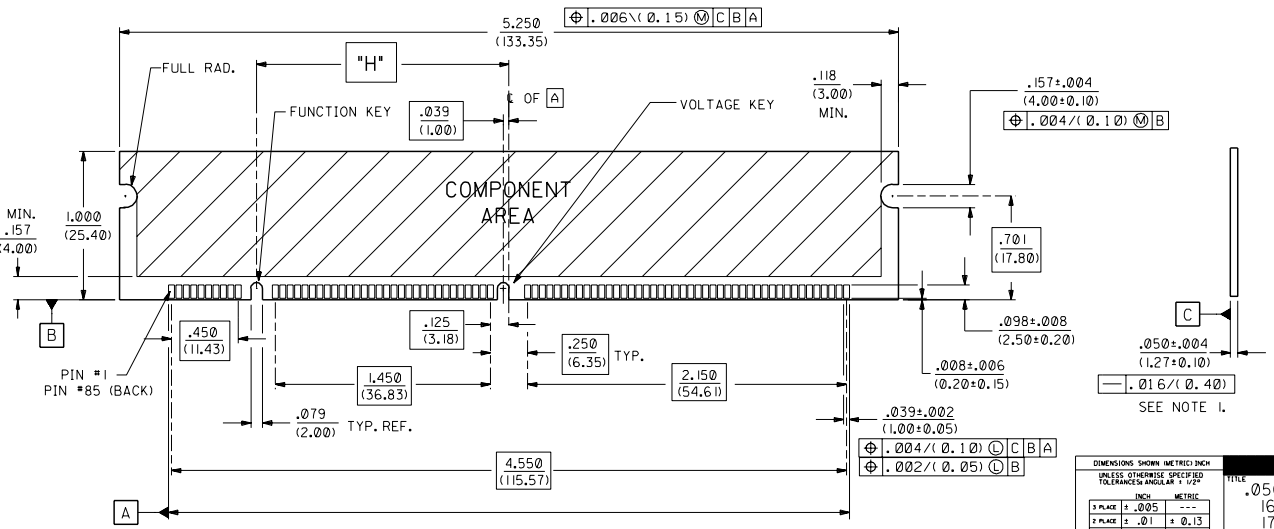
H1	ADD LEAD FREE NOTE ECN# UCP2004-1732 DMORGAN 04/03/09
H	RELEASE -0027 ECN# UDT2000-151 DMORGAN 00/05/19
H	RELEASE -0027 ECN# UDT2000-151 DMORGAN 00/05/19
G	CHG Sn-Pb THICKNESS ECN# UDT1999-0454 DMORGAN 99/08/09
F3	REVISED PER ECR# U80435 97-8-8 LAURX
F2	REVISED PER ECR# U71162 97-4-15 LAURX
F1	REVISED PER ECR# U70367 96-10-9 LAURX
F	REVISED PER ECR# U61135 96-9-25 LAURX
E1	REVISED PER ECR# U60836 1-19-96 JCL
E	REVISED PER ECR# U60682 12-7-95 JCL
D2	REVISED PER ECR# U60452 10-10-95 JCL
D1	REVISED PER ECR# U60361 9-18-95 JCL
D	REVISED PER ECR# U51288 8-4-95 JCL

DIMENSIONS SHOWN (METRIC) INCH		REVISE ONLY ON CAD SYSTEM	
UNLESS OTHERWISE SPECIFIED TOLERANCES ANGULAR ± 0.2°		TITLE .050/(1.27) PITCH MULTI-KEY 168 CKT DIMM RAM ASSY 17.8mm LATCH SALES DWG	
3 PLACE ± .005	---	MOLEX INCORPORATED SHEET NO. DATE LIT/EA/LL 69532 U.S. 1 OF 3 10/10/94	
2 PLACE ± --- ± 0.13	---	PART NO. DRWG. NO. SEE CHART SDA-71251-0 ***	
1 PLACE --- ± 0.25	---	DRG. BY DCB CHK'D. BY DCB FILE NAME 5725101.DWG. NO. DRWG. CONTAINS INFORMATION THAT IS PROPRIETARY TO MOLEX INC. AND SHOULD NOT BE USED WITHOUT WRITTEN PERMISSION. CP C	
DRAFT WHERE APPLICABLE MUST REMAIN WITHIN DIMENSIONS		APP'D. DCB SCALE 2:1	

		13	12	11	10	9	8	7	6	71251		4	3	2	1		
PART NUMBER	COLOR	DESCRIPTION	FUNCTION KEY	VOLTAGE KEY	DIA. 'A'	DIA. 'B'	DIA. 'C'	DIA. 'D'	DIM. 'H'	DIM. 'P'	DIM. 'S'	DIM. 'T'	DIM. 'W'	DIM. 'X'	DIM. 'Y'	DIM. 'Z'	CONTACT AREA PLATING
71251-0001	BLACK	3.3 VOLT STD DRAM	CENTER	CENTER	.080±.002 (2.03±0.05)	NONE	.093 +.003/-0.000 (2.36+0.08/-0.00)	.093 +.003/-0.000 (2.36+0.08/-0.00)	1.700 (43.18)	.155 (3.94)	.020 (0.51)	.127 (3.23)	.970 (24.64)	.113 (2.87)	.250 (6.35)	.410 (10.41)	OPTION A
71251-0004	BLACK	5.0 VOLT STD DRAM	CENTER	OFFSET LEFT	.080±.002 (2.03±0.05)	NONE	.093 +.003/-0.000 (2.36+0.08/-0.00)	.093 +.003/-0.000 (2.36+0.08/-0.00)	1.700 (43.18)	.155 (3.94)	.020 (0.51)	.127 (3.23)	.970 (24.64)	.113 (2.87)	.250 (6.35)	.410 (10.41)	OPTION A
71251-0012	BLACK	3.3 VOLT UNBUFFERED	OFFSET RIGHT	CENTER	.080±.002 (2.03±0.05)	NONE	.093 +.003/-0.000 (2.36+0.08/-0.00)	.093 +.003/-0.000 (2.36+0.08/-0.00)	1.661 (42.19)	.155 (3.94)	.020 (0.51)	.127 (3.23)	.970 (24.64)	.113 (2.87)	.250 (6.35)	.410 (10.41)	OPTION A
71251-0013	BLACK	5.0 VOLT UNBUFFERED	OFFSET RIGHT	OFFSET LEFT	.080±.002 (2.03±0.05)	NONE	.093 +.003/-0.000 (2.36+0.08/-0.00)	.093 +.003/-0.000 (2.36+0.08/-0.00)	1.661 (42.19)	.155 (3.94)	.020 (0.51)	.127 (3.23)	.970 (24.64)	.113 (2.87)	.250 (6.35)	.410 (10.41)	OPTION A
71251-0016	BLACK	3.3 VOLT SYNCHRONOUS	OFFSET LEFT	CENTER	.080±.002 (2.03±0.05)	NONE	.093 +.003/-0.000 (2.36+0.08/-0.00)	.093 +.003/-0.000 (2.36+0.08/-0.00)	1.739 (44.17)	.155 (3.94)	.020 (0.51)	.127 (3.23)	.970 (24.64)	.113 (2.87)	.250 (6.35)	.410 (10.41)	OPTION A
71251-0017	BLACK	5.0 VOLT SYNCHRONOUS	OFFSET LEFT	OFFSET LEFT	.080±.002 (2.03±0.05)	NONE	.093 +.003/-0.000 (2.36+0.08/-0.00)	.093 +.003/-0.000 (2.36+0.08/-0.00)	1.739 (44.17)	.155 (3.94)	.020 (0.51)	.127 (3.23)	.970 (24.64)	.113 (2.87)	.250 (6.35)	.410 (10.41)	OPTION A



NOTES:
 1. STRAIGHTNESS OF MODULE APPLIES TO THE AREA FROM THE BOTTOM OF THE CARD UP .157/(4.00).
 2. IF TIE BARS ARE ATTACHED TO PADS, THE TIE BAR SHOULD BE ON AN INTERNAL LAYER, SO THAT THE REMNANT CANNOT CAUSE DAMAGE TO THE CONTACTS.



F3	SEE SHEET I
F2	SEE SHEET I
F1	SEE SHEET I
F	SEE SHEET I
E1	SEE SHEET I
E	SEE SHEET I
D2	SEE SHEET I
D1	SEE SHEET I
D	SEE SHEET I
C	SEE SHEET I
B1	SEE SHEET I
B	SEE SHEET I
A	SEE SHEET I

71251

REVISIONS

MFG. SH.	REV.	LTR.	REVISIONS

REVISIONS ONLY ON CAD SYSTEM

DIMENSIONS SHOWN METRIC/INCH UNLESS OTHERWISE SPECIFIED TOLERANCES ANGULAR 1/2°

PLACE	INCH	METRIC
2 PLACE	±.005	---
1 PLACE	±.01	±0.13
1 PLACE	---	±0.25

DRAFT WHERE APPLICABLE MUST REMAIN WITHIN DIMENSIONS

DRWG. NO. SDA-71251-0***

FILE NAME S125102.DWG

DATE 10/10/94

SHEET NO. 2

MOLEX INCORPORATED U.S.A.

THIS DRAWING CONTAINS INFORMATION THAT IS PROPRIETARY TO MOLEX INC. AND SHOULD NOT BE USED WITHOUT WRITTEN PERMISSION FROM MOLEX INC.

		13	12	11	10	9	8	7	6	71251		4	3	2	1		
PART NUMBER	COLOR	DESCRIPTION	FUNCTION KEY	VOLTAGE KEY	DIA. 'A'	DIA. 'B'	DIA. 'C'	DIA. 'D'	DIM. 'H'	DIM. 'P'	DIM. 'S'	DIM. 'T'	DIM. 'W'	DIM. 'X'	DIM. 'Y'	DIM. 'Z'	CONTACT AREA PLATING
71251-0001	BLACK	3.3 VOLT STD DRAM	SEE SHEET 2														OPTION A
71251-0002	BLACK	3.3 VOLT STD DRAM	CENTER	CENTER	NONE	$.093 + .003 / -.000$ (2.36+0.08/-0.00)	$.093 + .003 / -.000$ (2.36+0.08/-0.00)	NONE	1.700 (43.18)	.155 (3.94)	.020 (0.51)	.127 (3.23)	.970 (24.64)	.113 (2.87)	.250 (6.35)	.410 (10.41)	OPTION A
71251-0003	BLACK	5.0 VOLT STD DRAM	CENTER	OFFSET LEFT	NONE	$.093 + .003 / -.000$ (2.36+0.08/-0.00)	$.093 + .003 / -.000$ (2.36+0.08/-0.00)	NONE	1.700 (43.18)	.155 (3.94)	.020 (0.51)	.127 (3.23)	.970 (24.64)	.113 (2.87)	.250 (6.35)	.410 (10.41)	OPTION A
71251-0004	BLACK	5.0 VOLT STD DRAM	SEE SHEET 2														OPTION A
71251-0005	BLACK	5.0 VOLT UNBUFFERED	OFFSET RIGHT	OFFSET LEFT	$.080 + .002$ (2.03+0.05)	NONE	NONE	$.080 + .002$ (2.03+0.05)	1.661 (42.19)	.125 (3.18)	.035 (0.89)	.102 (2.59)	.985 (25.02)	.128 (3.25)	.265 (6.73)	.425 (10.79)	OPTION A
71251-0006	BLACK	5.0 VOLT STD DRAM	CENTER	OFFSET LEFT	$.080 + .002$ (2.03+0.05)	NONE	$.093 + .003 / -.000$ (2.36+0.08/-0.00)	$.080 + .002$ (2.03+0.05)	1.700 (43.18)	.155 (3.94)	.020 (0.51)	.127 (3.23)	.970 (24.64)	.113 (2.87)	.250 (6.35)	.410 (10.41)	OPTION A
71251-0007	BLACK	3.3 VOLT STD DRAM	CENTER	CENTER	$.080 + .002$ (2.03+0.05)	NONE	$.080 + .002$ (2.03+0.05)	$.080 + .002$ (2.03+0.05)	1.700 (43.18)	.140 (3.56)	.020 (0.51)	.127 (3.23)	.970 (24.64)	.113 (2.87)	.250 (6.35)	.410 (10.41)	OPTION A
71251-0008	BLACK	5.0 VOLT STD DRAM	CENTER	OFFSET LEFT	NONE	$.093 + .003 / -.000$ (2.36+0.08/-0.00)	$.093 + .003 / -.000$ (2.36+0.08/-0.00)	$.093 + .003 / -.000$ (2.36+0.08/-0.00)	1.700 (43.18)	.155 (3.94)	.020 (0.51)	.127 (3.23)	.970 (24.64)	.113 (2.87)	.250 (6.35)	.410 (10.41)	OPTION A
71251-0009	BLACK	5.0 VOLT STD DRAM	CENTER	OFFSET LEFT	$.080 + .002$ (2.03+0.05)	NONE	NONE	$.080 + .002$ (2.03+0.05)	1.700 (43.18)	.125 (3.18)	.035 (0.89)	.102 (2.59)	.985 (25.02)	.128 (3.25)	.265 (6.73)	.425 (10.79)	OPTION A
71251-0010	BEIGE	3.3 VOLT STD DRAM	CENTER	CENTER	$.080 + .002$ (2.03+0.05)	NONE	NONE	$.080 + .002$ (2.03+0.05)	1.700 (43.18)	.125 (3.18)	.035 (0.89)	.102 (2.59)	.985 (25.02)	.128 (3.25)	.265 (6.73)	.425 (10.79)	OPTION A
71251-0011	BLACK	3.3 VOLT STD DRAM	CENTER	CENTER	$.093 + .003 / -.000$ (2.36+0.08/-0.00)	NONE	$.093 + .003 / -.000$ (2.36+0.08/-0.00)	$.093 + .003 / -.000$ (2.36+0.08/-0.00)	1.700 (43.18)	.155 (3.94)	.020 (0.51)	.127 (3.23)	.970 (24.64)	.113 (2.87)	.250 (6.35)	.410 (10.41)	OPTION A
71251-0012	BLACK	3.3 VOLT UNBUFFERED	SEE SHEET 2														OPTION A
71251-0013	BLACK	5.0 VOLT UNBUFFERED	SEE SHEET 2														OPTION A
71251-0014	BLACK	3.3 VOLT UNBUFFERED	OFFSET RIGHT	CENTER	$.080 + .002$ (2.03+0.05)	NONE	NONE	$.080 + .002$ (2.03+0.05)	1.661 (42.19)	.125 (3.18)	.035 (0.89)	.112 (2.84)	.985 (25.02)	.128 (3.25)	.265 (6.73)	.425 (10.79)	OPTION A
71251-0015	BLACK	3.3 VOLT STD DRAM	CENTER	CENTER	$.080 + .002$ (2.03+0.05)	NONE	$.093 + .003 / -.000$ (2.36+0.08/-0.00)	$.093 + .003 / -.000$ (2.36+0.08/-0.00)	1.700 (43.18)	.155 (3.94)	.020 (0.51)	.117 (2.97)	.970 (24.64)	.113 (2.87)	.250 (6.35)	.410 (10.41)	OPTION A
71251-0016	BLACK	3.3 VOLT SYNCHRONOUS	SEE SHEET 2														OPTION A
71251-0017	BLACK	5.0 VOLT SYNCHRONOUS	SEE SHEET 2														OPTION A
71251-0018	BLACK	3.3 VOLT UNBUFFERED	OFFSET RIGHT	CENTER	$.093 + .003 / -.000$ (2.36+0.08/-0.00)	NONE	$.093 + .003 / -.000$ (2.36+0.08/-0.00)	$.093 + .003 / -.000$ (2.36+0.08/-0.00)	1.661 (42.19)	.140 (3.56)	.035 (0.89)	.102 (2.59)	.985 (25.02)	.128 (3.25)	.265 (6.73)	.425 (10.79)	OPTION A
71251-0019	BLACK	5.0 VOLT STD DRAM	CENTER	OFFSET LEFT	NONE	$.093 + .003 / -.000$ (2.36+0.08/-0.00)	$.093 + .003 / -.000$ (2.36+0.08/-0.00)	NONE	1.700 (43.18)	.155 (3.94)	.020 (0.51)	.127 (3.23)	.970 (24.64)	.113 (2.87)	.250 (6.35)	.410 (10.41)	OPTION B
71251-0020	BLACK	3.3 VOLT STD DRAM	CENTER	CENTER	$.080 + .002$ (2.03+0.05)	NONE	$.080 + .002$ (2.03+0.05)	$.080 + .002$ (2.03+0.05)	1.700 (43.18)	.140 (3.56)	.020 (0.51)	.127 (3.23)	.970 (24.64)	.113 (2.87)	.250 (6.35)	.410 (10.41)	OPTION B
71251-0021	BLACK	3.3 VOLT STD DRAM	CENTER	CENTER	$.080 + .002$ (2.03+0.05)	NONE	$.093 + .003 / -.000$ (2.36+0.08/-0.00)	$.093 + .003 / -.000$ (2.36+0.08/-0.00)	1.700 (43.18)	.155 (3.94)	.020 (0.51)	.127 (3.23)	.970 (24.64)	.113 (2.87)	.250 (6.35)	.410 (10.41)	OPTION B
71251-0022	BLACK	3.3 VOLT UNBUFFERED	OFFSET RIGHT	CENTER	$.080 + .002$ (2.03+0.05)	NONE	$.093 + .003 / -.000$ (2.36+0.08/-0.00)	$.093 + .003 / -.000$ (2.36+0.08/-0.00)	1.661 (42.19)	.155 (3.94)	.020 (0.51)	.127 (3.23)	.970 (24.64)	.113 (2.87)	.250 (6.35)	.410 (10.41)	OPTION B
71251-0023	BLACK	3.3 VOLT UNBUFFERED	OFFSET RIGHT	CENTER	$.080 + .002$ (2.03+0.05)	NONE	NONE	$.080 + .002$ (2.03+0.05)	1.661 (42.19)	.125 (3.18)	.035 (0.89)	.102 (2.59)	.985 (25.02)	.128 (3.25)	.265 (6.73)	.425 (10.79)	OPTION A
71251-0024	BLACK	3.3 VOLT UNBUFFERED	OFFSET RIGHT	CENTER	$.080 + .002$ (2.03+0.05)	NONE	$.093 + .003 / -.000$ (2.36+0.08/-0.00)	$.093 + .003 / -.000$ (2.36+0.08/-0.00)	1.661 (42.19)	.155 (3.94)	.020 (0.51)	.105 (2.67)	.970 (24.64)	.113 (2.87)	.250 (6.35)	.410 (10.41)	OPTION A
71251-0026	BEIGE	3.3 VOLT STD DRAM	CENTER	CENTER	$.080 + .002$ (2.03+0.05)	NONE	NONE	$.080 + .002$ (2.03+0.05)	1.700 (43.18)	.125 (3.18)	.035 (0.89)	.090 (2.29)	.985 (25.02)	.128 (3.25)	.265 (6.73)	.425 (10.79)	OPTION A
71251-0027	BLACK	3.3 VOLT SYNCHRONOUS	OFFSET LEFT	CENTER	NONE	$.093 + .003 / -.000$ (2.36+0.08/-0.00)	$.093 + .003 / -.000$ (2.36+0.08/-0.00)	NONE	1.739 (44.17)	.155 (3.94)	.020 (0.51)	.127 (3.23)	.970 (24.64)	.113 (2.87)	.250 (6.35)	.410 (10.41)	OPTION A

										DIMENSIONS SHOWN METRIC INCH UNLESS OTHERWISE SPECIFIED TOLERANCES ANGULAR 1/2° 2 PLACE ± .005 --- 1 PLACE ± .01 ± 0.13 1 PLACE --- ± 0.25 DRAFT WHERE APPLICABLE MUST REMAIN WITHIN DIMENSIONS				REVISE ONLY ON CAD SYSTEM TITLE .050/(1.27) PITCH MULTI-KEY 168 CKT DIMM RAM ASSY 17.8mm LATCH SALES DWG. MOLEX INCORPORATED SHEET NO. 3 DATE 12/07/95 U.S.A. PART NO. SDA-71251-0*** SEE CHART FILE NAME S125103.DWG THIS DRAWING CONTAINS INFORMATION THAT IS PROPRIETARY TO MOLEX INC. AND SHOULD NOT BE USED WITHOUT WRITTEN PERMISSION. CP			
H SEE SHEET 1 F3 SEE SHEET 1 LTR. REVISIONS LTR. REVISIONS										DRWG. NO. SDA-71251-0*** FILE NAME S125103.DWG SCALE 2:1 APP'D. BY:				DATE 12/07/95 SHEET NO. 3 U.S.A.			

		13	12	11	10	9	8	7	6	5	4	3	2	1		
--	--	----	----	----	----	---	---	---	---	---	---	---	---	---	--	--