

PLEASE CHECK WWW.MOLEX.COM FOR LATEST PART INFORMATION

Part Number: [0716612130](#)
Status: **Active**
Overview: [EBBI™ 50D](#)
Description: 1.27mm Pitch EBBI™ 50D Plug, Right Angle, 130 Circuits, 2.79mm PC Tail Length

Documents:

[3D Model](#) [RoHS Certificate of Compliance \(PDF\)](#)
[Drawing \(PDF\)](#)

Agency Certification

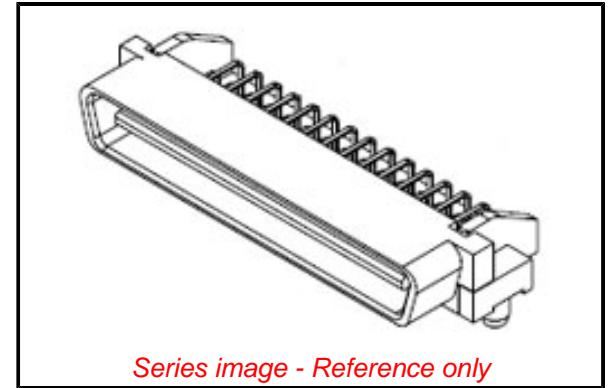
CSA LR19980
 UL E29179

General

Product Family PCB Headers
 Series [71661](#)
 Application Board-to-Board, Signal, Wire-to-Board
 Overview [EBBI™ 50D](#)
 Product Name EBBI™
 UPC 800755008869

Physical

Breakaway No
 Circuits (Loaded) 130
 Circuits (maximum) 130
 Color - Resin Black
 Durability (mating cycles max) 2000
 First Mate / Last Break No
 Flammability 94V-0
 Glow-Wire Compliant No
 Guide to Mating Part No
 Keying to Mating Part None
 Lock to Mating Part Yes
 Material - Metal Brass
 Material - Plating Mating Gold
 Material - Plating Termination Tin
 Material - Resin High Temperature Thermoplastic
 Net Weight 9.983/g
 Number of Rows 4
 Orientation Right Angle
 PC Tail Length 2.79mm
 PCB Locator Yes
 PCB Retention Yes
 PCB Thickness - Recommended 1.60mm
 Packaging Type Tray
 Pitch - Mating Interface 1.27mm
 Pitch - Termination Interface 1.27mm
 Plating min - Mating 0.762µm
 Plating min - Termination 1.270µm
 Polarized to Mating Part Yes
 Polarized to PCB Yes
 Shrouded Fully
 Stackable No
 Surface Mount Compatible (SMC) No
 Temperature Range - Operating -40°C to +105°C
 Termination Interface: Style Through Hole



EU ELV

Not Relevant

EU RoHS

Compliant

REACH SVHC

Not Contained Per
 -ED/01/2017 (12
 January 2017)

Halogen-Free

Status

Low-Halogen

Need more information on product environmental compliance?

Email productcompliance@molex.com
 Please visit the [Contact Us](#) section for any non-product compliance questions.

China ROHS

ELV

RoHS Phthalates

Green Image

Not Relevant

Not Contained

Search Parts in this Series

[71661](#) Series

Mates With

EBBI™ 50D Receptacle [71660](#) , [87552](#)

Electrical

Current - Maximum per Contact 1.0A
Voltage - Maximum 30V

Solder Process Data

Lead-free Process Capability SMC&WAVE
Process Temperature max. C 235

Material Info**Reference - Drawing Numbers**

Sales Drawing SDA-71661-2***

This document was generated on 02/28/2017

PLEASE CHECK WWW.MOLEX.COM FOR LATEST PART INFORMATION