



Gigabit Interface Converter (GBIC) Adapter

73086 Copper, DB-9

FEATURES AND SPECIFICATIONS

Features and Benefits

- Meets all requirements of the Fibre Channel and Gigabit Ethernet GBIC standards for copper links
- Hot-pluggable, duplex adapter
- Diecast clam shell with 360-degree termination to DB-9 receptacle provides excellent EMI control
- Jackscrew termination to cable assembly for superior strain relief
- Staggered plastic latches with static dissipative properties

Reference Information

Packaging: Tray

Mates With: 74065 GBIC receptacle

Use With: 73847 Guide Frame and DB-9 Fibre Channel Cable assemblies—73041, 73043, 73047, 73068, 73070, 73884, 73885, 73899, 73917

Designed In: Inches

Physical

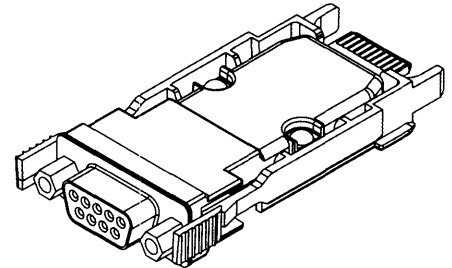
Shield: Zinc diecast, clear chromate finish

DB-9 Receptacle: Shell—Steel with Tin Plating

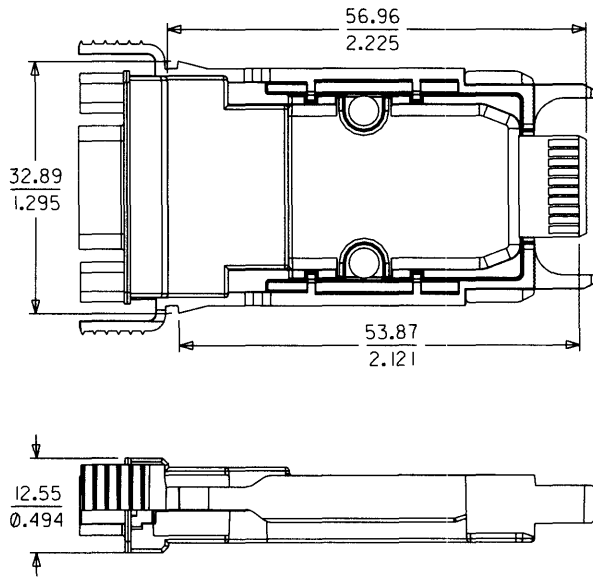
Housing—Glass-filled PBT, UL 94V-0

Contacts—Phosphor Bronze, 30µ" Gold over Nickel underplate

Guide Latches: Black, glass-filled PBT, statically dissipative, UL 94V-0



CATALOG DRAWING (FOR REFERENCE ONLY)



ORDERING INFORMATION

Order No.		Serial ID Option	Protocol
Passive Style	Active Style		
73086-0001	73086-0005	Without ID	1.0625 GBaud Fibre Channel
73086-0002	73086-0006	Without ID	1.25 GBaud Gigabit Ethernet
73086-0003	73086-0007	With ID	1.0625 GBaud Fibre Channel
73086-0004	73086-0008	With ID	1.25 GBaud Gigabit Ethernet