

MATERIALS AND FINISHES

BODY ZINC ALLOY
 PLATED NICKEL
 NOTE: ISOLATED FROM PANEL

HOUSING PLOYESTER BUTYLENE TEREPHTALATE
 COLOR: BLACK

CENTER CONTACT PHOSPHOR BRONZE
 PLATED GOLD

INSULATOR POLYPROPYLENE (94-V2)

MOUNTING POST BRASS
 PLATED TIN

SOLDER TAIL BRASS WIRE
 PLATED TIN

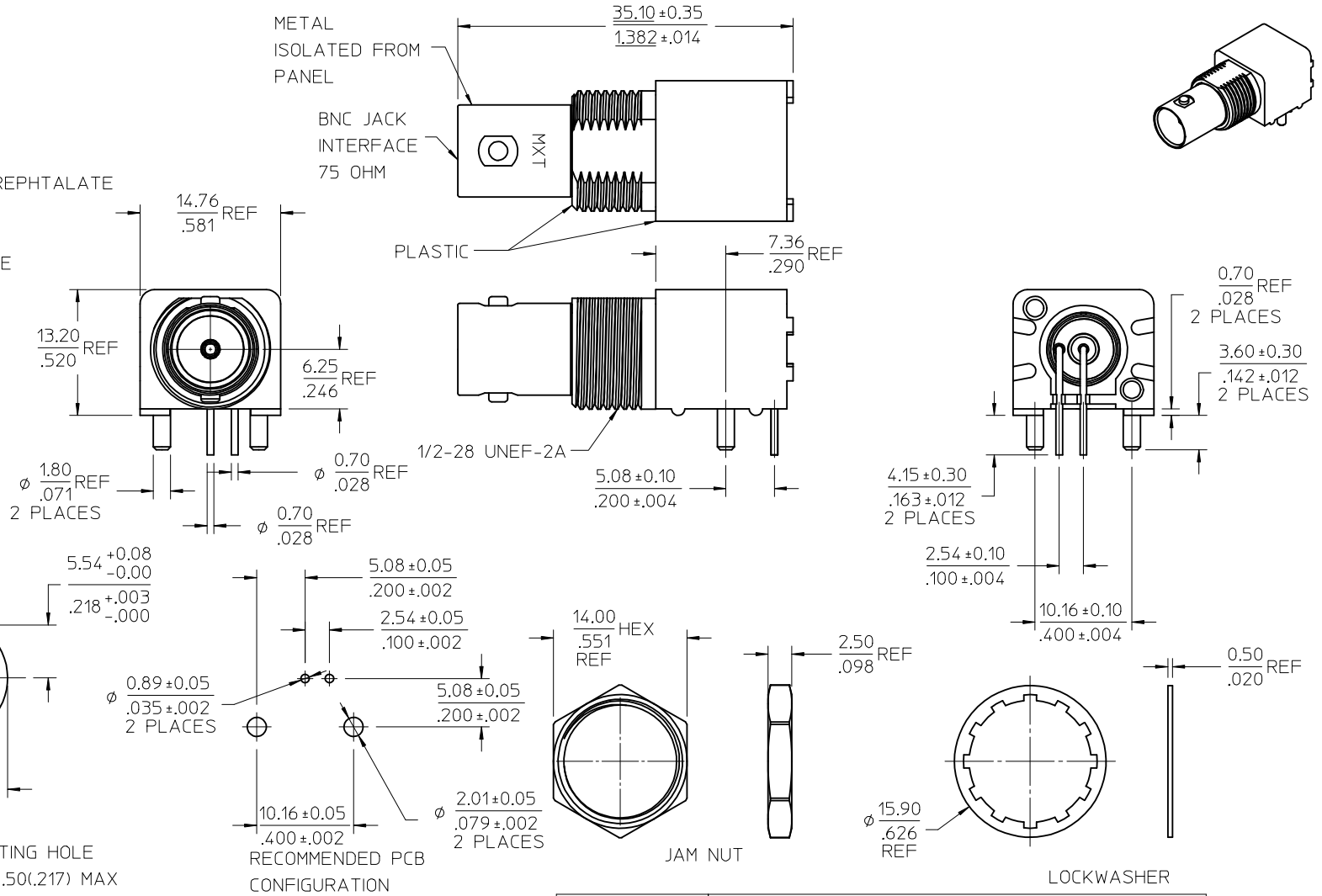
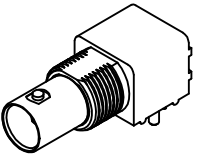
LOCKWASHER PHOSPHOR BRONZE
 PLATED NICKEL

JAM NUT BRASS
 PLATED NICKEL

METAL
 ISOLATED FROM
 PANEL

BNC JACK
 INTERFACE
 75 OHM

PLASTIC



RECOMMENDED MOUNTING HOLE
 PANEL THICKNESS: 5.50(.217) MAX
 RECOMMENDED MOUNTING TORQUE:
 0.56 N(5 INCH-LBS) MAX

RECOMMENDED PCB
 CONFIGURATION

JAM NUT

LOCKWASHER

73171-6090	73100-0067 W/O NUT AND WASHER, TRAY PACK
73171-2980	73100-0067, ONE PER BAG
73100-0067	TRAY
PART NO.	PACKAGING

PS-89675-1030	PRODUCT SPECIFICATION
SPECIFICATION	DESCRIPTION

CHG: ADD
 ISOLATION NOTE
 PS WAS
 73598-0051

EC NO: URF2014-0213
 2013/10/07
 DRW: WIENER
 2013/10/07
 CHK: SSS
 2013/10/09
 APPR: WIENER

QUALITY
 SYMBOLS
 ▽=0
 ▽=0

GENERAL TOLERANCES
 (UNLESS SPECIFIED)

	mm	INCH
4 PLACES	± .005	± .0002
3 PLACES	± .004	± .00015
2 PLACES	± .003	± .0001
1 PLACE	± .002	± .00005

ANGULAR ± 2°

DRAFT WHERE APPLICABLE
 MUST REMAIN
 WITHIN DIMENSIONS

DIMENSION STYLE
 MM/IN

DRAWN BY
 C.M. HUNG

DATE
 1993/02/01

CHECKED BY
 C.M. HUNG

DATE
 1993/02/01

APPROVED BY
 KWH

DATE
 1993/04/01

MATERIAL NO.
 SEE TABLE

SIZE
 C

SCALE
 DESIGN UNITS
 METRIC

THIRD ANGLE
 PROJECTION

TITLE
 BNC JACK, R/A, PCB
 RECEPTACLE, 75 OHMS
 BNC-J/RA/PCB

MOLEX INCORPORATED

DOCUMENT NO.
 SD-73100-0067


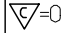
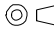
SHEET NO.
 1 OF 1

THIS DRAWING CONTAINS INFORMATION THAT IS PROPRIETARY TO MOLEX
 INCORPORATED AND SHOULD NOT BE USED WITHOUT WRITTEN PERMISSION

MATERIALS AND FINISHES

SEE SD-73100-0067

P/N: 73171-2980: THIS IS P/N: 73100-0067 PLACED IN A SINGLE BAG

CHG: NEW RELEASE EC NO: URF2007-0396 DRAWN: IFLAHERY 2007/05/01 CHKD: SHAH 2007/05/01 APPR: JIMENER 2007/05/01 A	QUALITY SYMBOLS  = 0  = 0	GENERAL TOLERANCES (UNLESS SPECIFIED)		DIMENSION STYLE MM/IN		SCALE	DESIGN UNITS METRIC	 THIRD ANGLE PROJECTION	
		4 PLACES ± --- ± --- 3 PLACES ± --- ± --- 2 PLACES ± --- ± --- 1 PLACE ± --- ± --- ANGULAR ± --- °	mm INCH	DRAWN BY DATE TEF 2007/04/19	CHECKED BY DATE SSS 2007/04/19	TITLE BNC JACK,R/A RECEPTACLE 75 OHMS BNC-J/RA/PCB		MOLEX INCORPORATED	
DRAFT WHERE APPLICABLE MUST REMAIN WITHIN DIMENSIONS				THIS DRAWING CONTAINS INFORMATION THAT IS PROPRIETARY TO MOLEX INCORPORATED AND SHOULD NOT BE USED WITHOUT WRITTEN PERMISSION					