

MATERIALS AND FINISHES

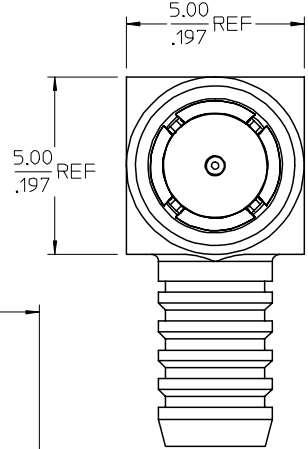
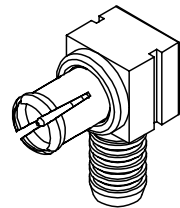
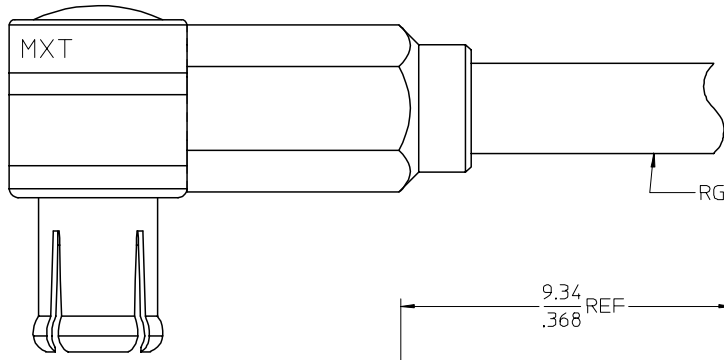
BODY ZINC ALLOY  
PLATED NICKEL (70 MICROINCHES MIN)

CENTER CONTACT BRASS  
PLATED GOLD (10 MICROINCHES MIN)

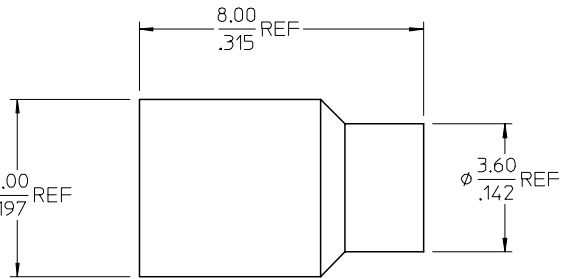
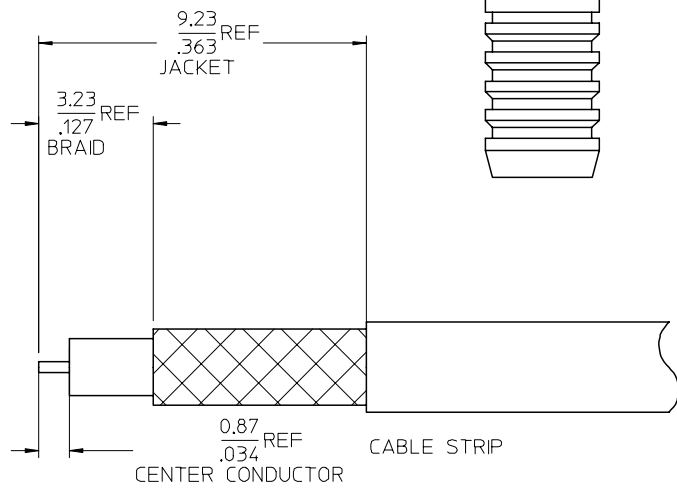
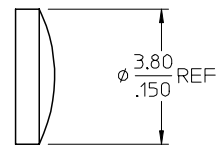
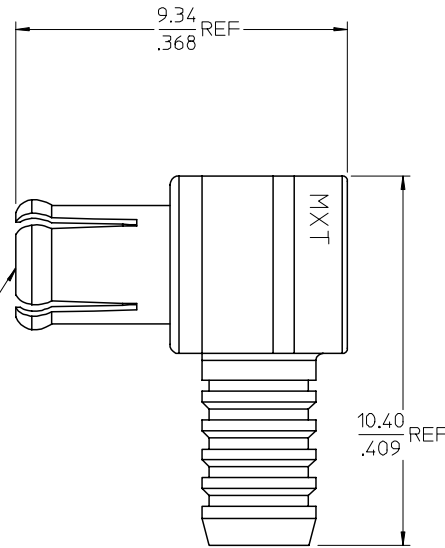
INSULATOR TEFLON

OUTER CONTACT BERYLLIUM COPPER  
PLATED PLATED GOLD (10 MICROINCHES MIN)

CRIMP DIE: 4.08(.161) HEX



MCX PLUG, 75 OHM  
INTERFACE



PART # 73415-5190

- UNLESS OTHERWISE SPECIFIED DIMS ARE MILLIMETERS AND ANGLES ARE DEGREES.
- $\frac{160}{\text{ALL OVER}}$  ALL OVER.
  - NO CHATTER OR NON-UNIFORM SURFACE FINISH ALLOWED.
  - PARTS TO BE FREE OF BURRS & SHARP EDGES 0.13(.005) MAX BREAK.
  - EXTERNAL THREADS TO BE ROLLED OR SINGLE POINT.
  - DIAMETERS TO BE CONCENTRIC WITHIN 0.08(.003) TIR.

CHG: NEW RELEASE EC NO: URF2005-0152 DRWN: FLAHERT 2004/10/28 CHKD: SHAH 2004/10/28 APPR: WILNER 2004/10/28	QUALITY SYMBOLS ▽=0 ▽=0	GENERAL TOLERANCES (UNLESS SPECIFIED)		DIMENSION STYLE MM/IN		SCALE METRIC	DESIGN UNITS METRIC		THIRD ANGLE PROJECTION			
		4 PLACES ± --- ± --- 3 PLACES ± --- ± --- 2 PLACES ± --- ± --- 1 PLACE ± --- ± ---	mm INCH ± --- ± --- ± --- ± --- ± --- ± ---	DRAWN BY TEF	DATE 2004/10/27	TITLE MCX PLUG, R/A FOR RG179 75 OHMS, EWR-2625 MCX-PC		MOLEX INCORPORATED				
		ANGULAR ± 2 °		CHECKED BY SSS	DATE 2004/10/27	APPROVED BY JDW		DATE 2004/10/27	MATERIAL NO. 734155190		DOCUMENT NO. SD-73415-519	SHEET NO. 1 OF 1
		DRAFT WHERE APPLICABLE MUST REMAIN WITHIN DIMENSIONS		SIZE C		THIS DRAWING CONTAINS INFORMATION THAT IS PROPRIETARY TO MOLEX INCORPORATED AND SHOULD NOT BE USED WITHOUT WRITTEN PERMISSION						