

MATERIALS AND FINISHES

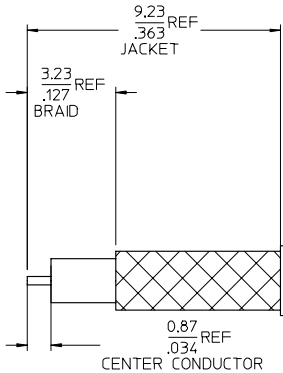
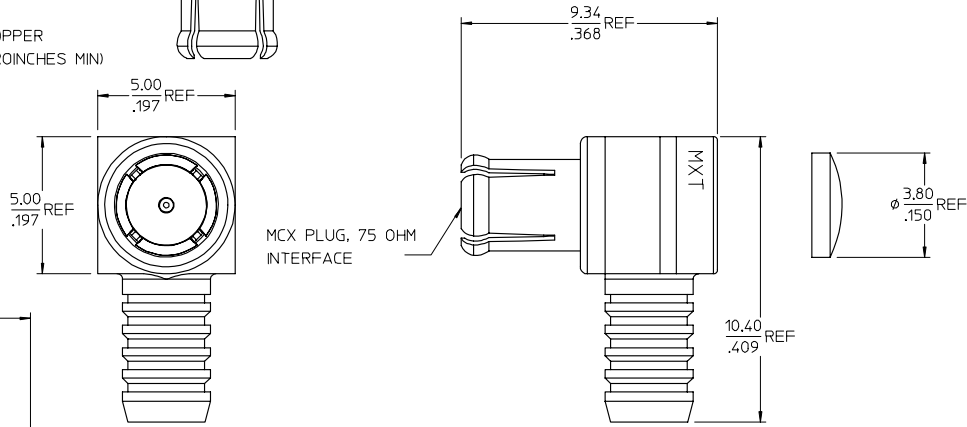
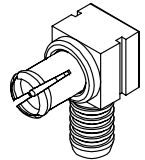
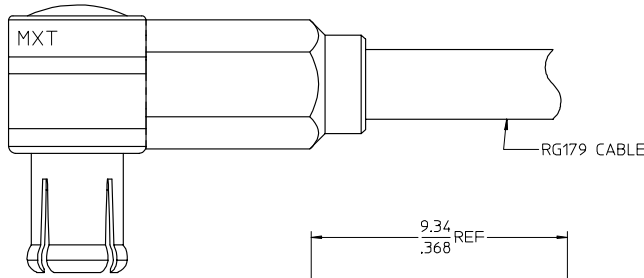
BODY ZINC ALLOY
PLATED NICKEL (70 MICROINCHES MIN)

CENTER CONTACT BRASS
PLATED GOLD (10 MICROINCHES MIN)

INSULATOR TEFLON

OUTER CONTACT BERYLLIUM COPPER
PLATED PLATED GOLD (10 MICROINCHES MIN)

CRIMP DIE: 4.08(.161) HEX



MCX PLUG, 75 OHM
INTERFACE

PART # 73415-5190

- UNLESS OTHERWISE SPECIFIED DIMS ARE MILLIMETERS AND ANGLES ARE DEGREES.
- ALL OVER.
 - NO CHATTER OR NON-UNIFORM SURFACE FINISH ALLOWED.
 - PARTS TO BE FREE OF BURRS & SHARP EDGES 0.13(005) MAX BREAK.
 - EXTERNAL THREADS TO BE ROLLED OR SINGLE POINT.
 - DIAMETERS TO BE CONCENTRIC WITHIN 0.08(.003) TIR.

CHG: NEW RELEASE EC NO: URF-2005-015Z DRAWN: FLAHERTY 2004/10/28 CHKD: SHAH 2004/10/28 APPR: JWIENER 2004/10/28	QUALITY SYMBOLS	GENERAL TOLERANCES (UNLESS SPECIFIED)	DIMENSION STYLE	SCALE	DESIGN UNITS	THIRD ANGLE PROJECTION														
	<p>▽=0</p> <p>▽=0</p>	<table border="1"> <tr> <th></th> <th>MM</th> <th>INCH</th> </tr> <tr> <td>4 PLACES</td> <td>± .005</td> <td>± .0004</td> </tr> <tr> <td>3 PLACES</td> <td>± .008</td> <td>± .0005</td> </tr> <tr> <td>2 PLACES</td> <td>± .015</td> <td>± .0008</td> </tr> <tr> <td>1 PLACE</td> <td>± .030</td> <td>± .0015</td> </tr> </table>		MM	INCH	4 PLACES	± .005	± .0004	3 PLACES	± .008	± .0005	2 PLACES	± .015	± .0008	1 PLACE	± .030	± .0015	MM/IN	1:1	METRIC
	MM	INCH																		
4 PLACES	± .005	± .0004																		
3 PLACES	± .008	± .0005																		
2 PLACES	± .015	± .0008																		
1 PLACE	± .030	± .0015																		
REV	DESCRIPTION	DRAFT WHERE APPLICABLE MUST REMAIN WITHIN DIMENSIONS	MATERIAL NO.	DOCUMENT NO.	SHEET NO.															
A			734155190	SD-73415-519	1 OF 1															
			THIS DRAWING CONTAINS INFORMATION THAT IS PROPRIETARY TO MOLEX INCORPORATED AND SHOULD NOT BE USED WITHOUT WRITTEN PERMISSION																	