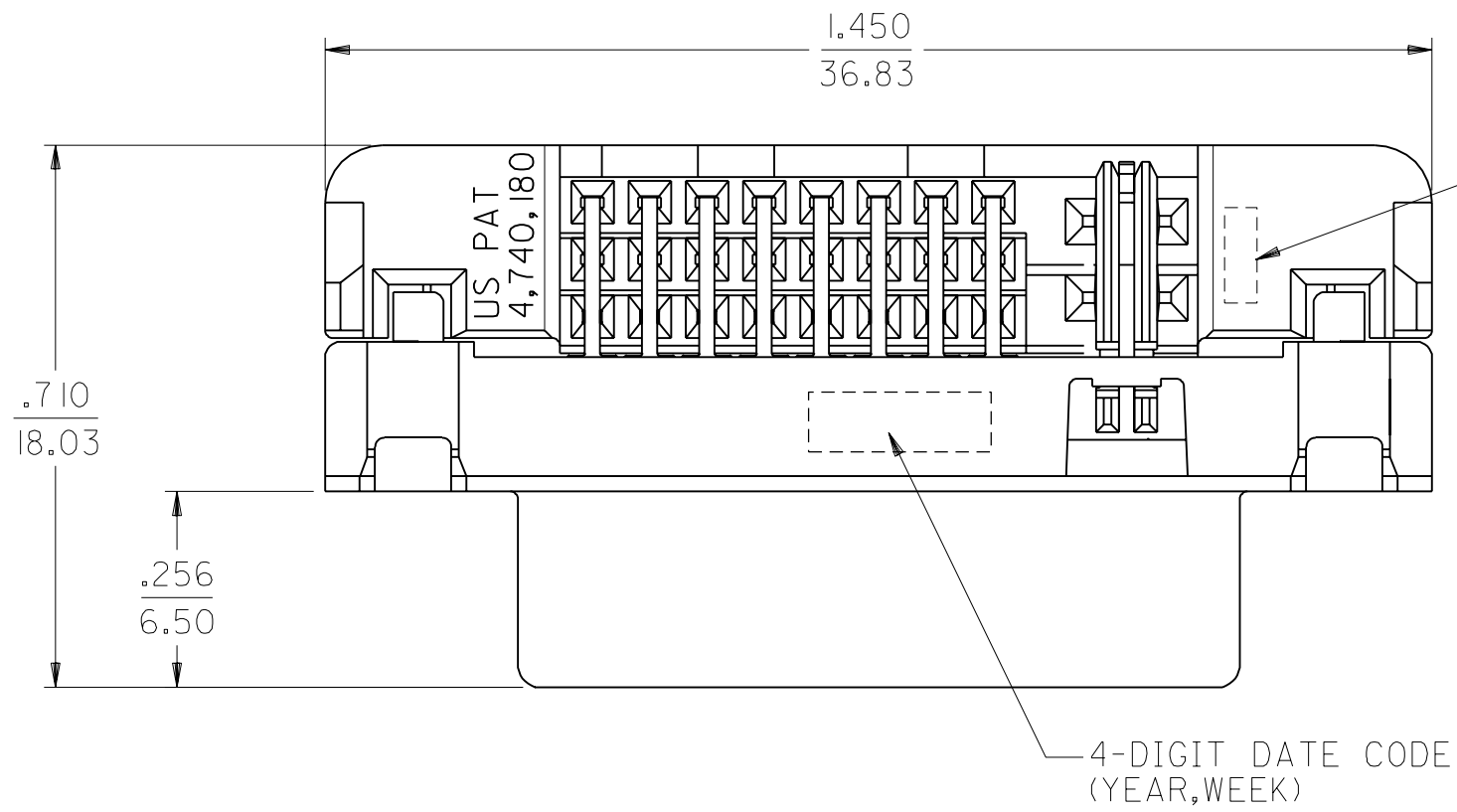
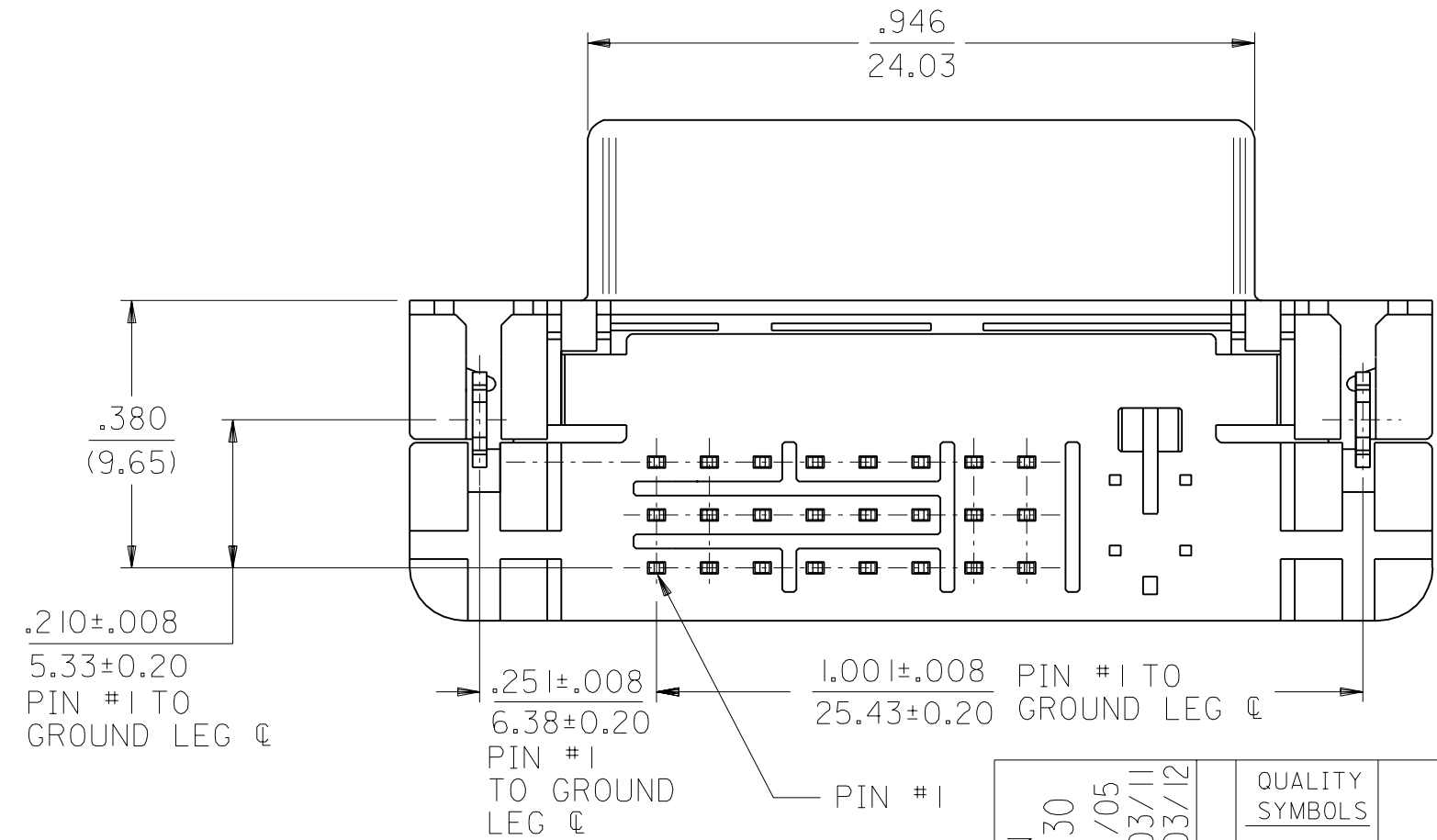
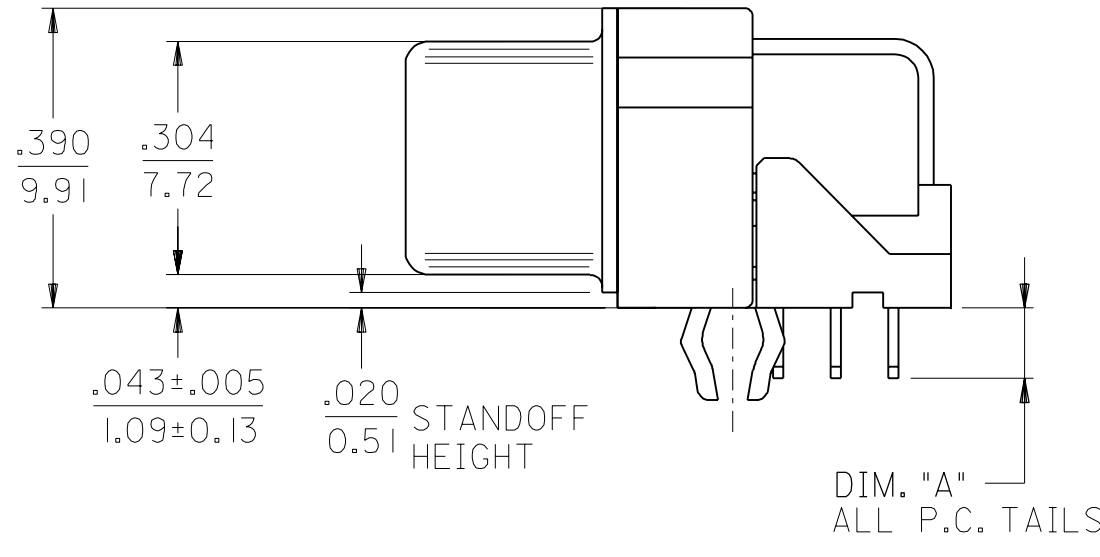
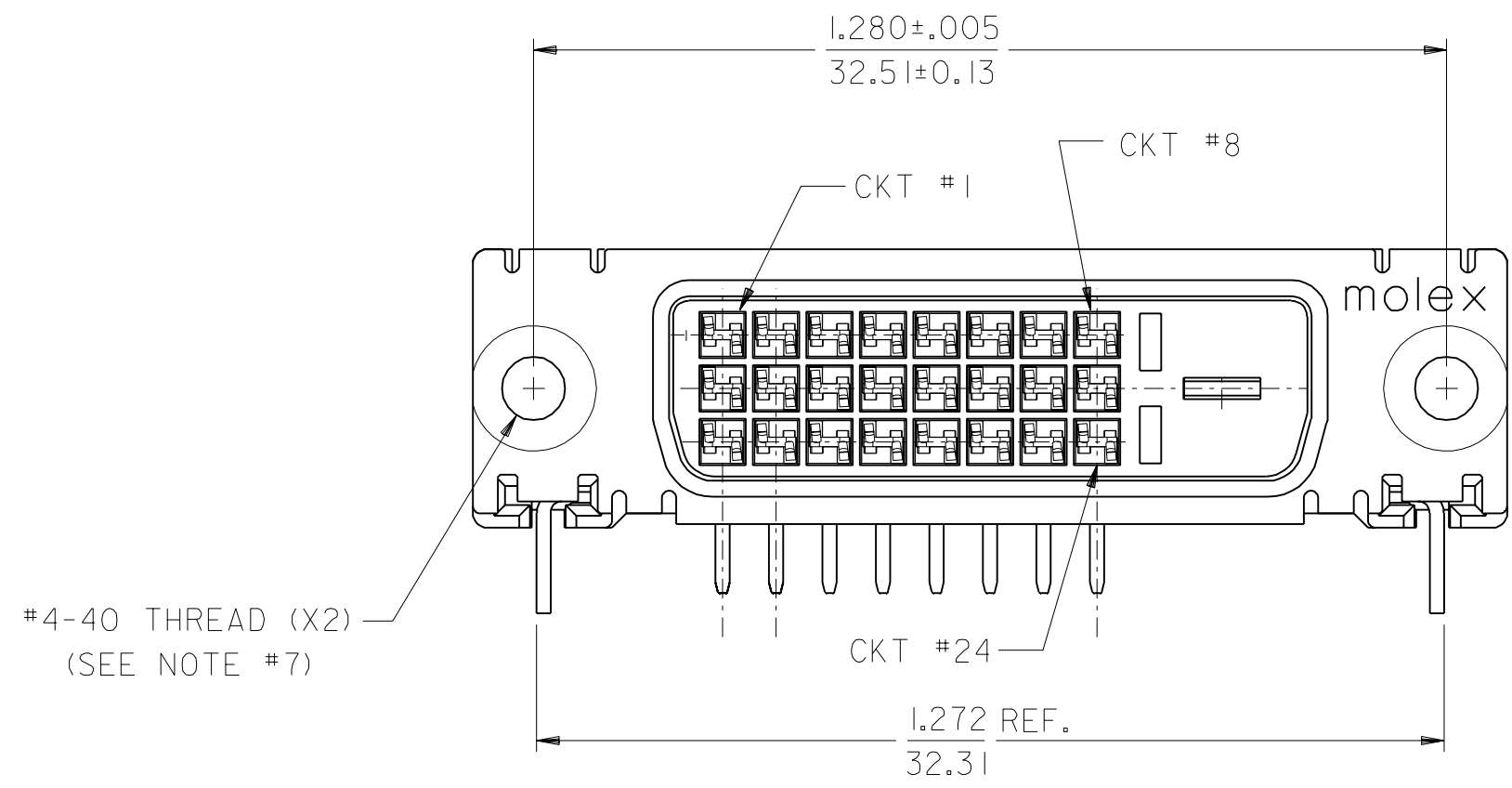
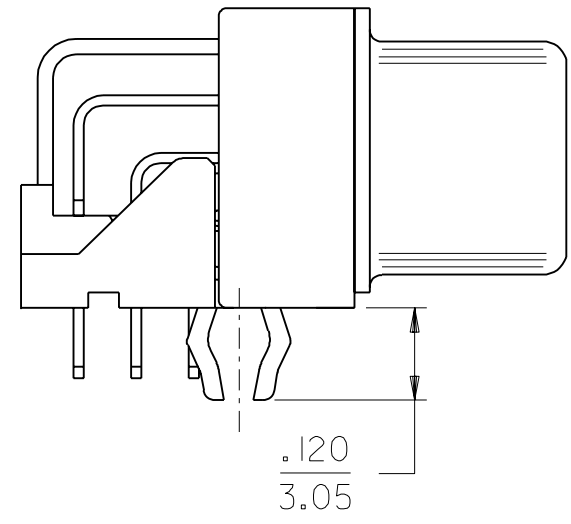


PART NUMBER	DIM. "A"	PLATING OPTION
74320-9000	.092/2.34	1
74320-9004	.092/2.34	2
74320-9006	.110/2.79	2



- NOTES:
- MATERIALS:
 SHIELD -- DEEP DRAW STEEL.
 HOUSING -- GLASS FILLED POLYMER, NATURAL (WHITE), UL 94v-0.
 TAIL ALIGNER -- GLASS FILLED POLYMER, NATURAL (WHITE), UL 94v-0.
 CONTACTS -- COPPER ALLOY.
 MICROCROSS GROUND -- COPPER ALLOY.
 - PLATING: SEE SHEET 2
 - PRODUCT CONFORMS TO MOLEX PRODUCT SPECIFICATION NUMBER PS-74320-001.
 - SEE SHEET 2 FOR RECOMMENDED PANEL CUT-OUT AND P.C.B. LAYOUT.
 - PARTS WILL BE PACKAGED IN TRAYS PER PK-74320-010.
 - PRODUCT CONFORMS TO DDWG DVI SPECIFICATION. REFER TO THIS SPECIFICATION FOR CONNECTOR MATING DIMENSIONS.
 - RECOMMENDED MOUNTING HARDWARE IS MOLEX P/N 71781-0001 OR 82007-0300 OR 88780-6066. REFER TO PRODUCT SPECIFICATION NUMBER PS-74320-001 FOR THE APPLICATION TORQUE REQUIREMENT FOR ASSEMBLING MOUNTING HARDWARE.
- ⚠ CAVITY NO. AND MANUFACTURING PLANT CODE.



MODIFICATION	DESCRIPTION	QUALITY SYMBOLS
EC No. SH2004-0130		MAJOR = 0
DRWN: DXUE 04/03/05		CRITICAL = 0
CHK: HARVEY 04/03/11		
APPR: SHUANG 04/03/12		

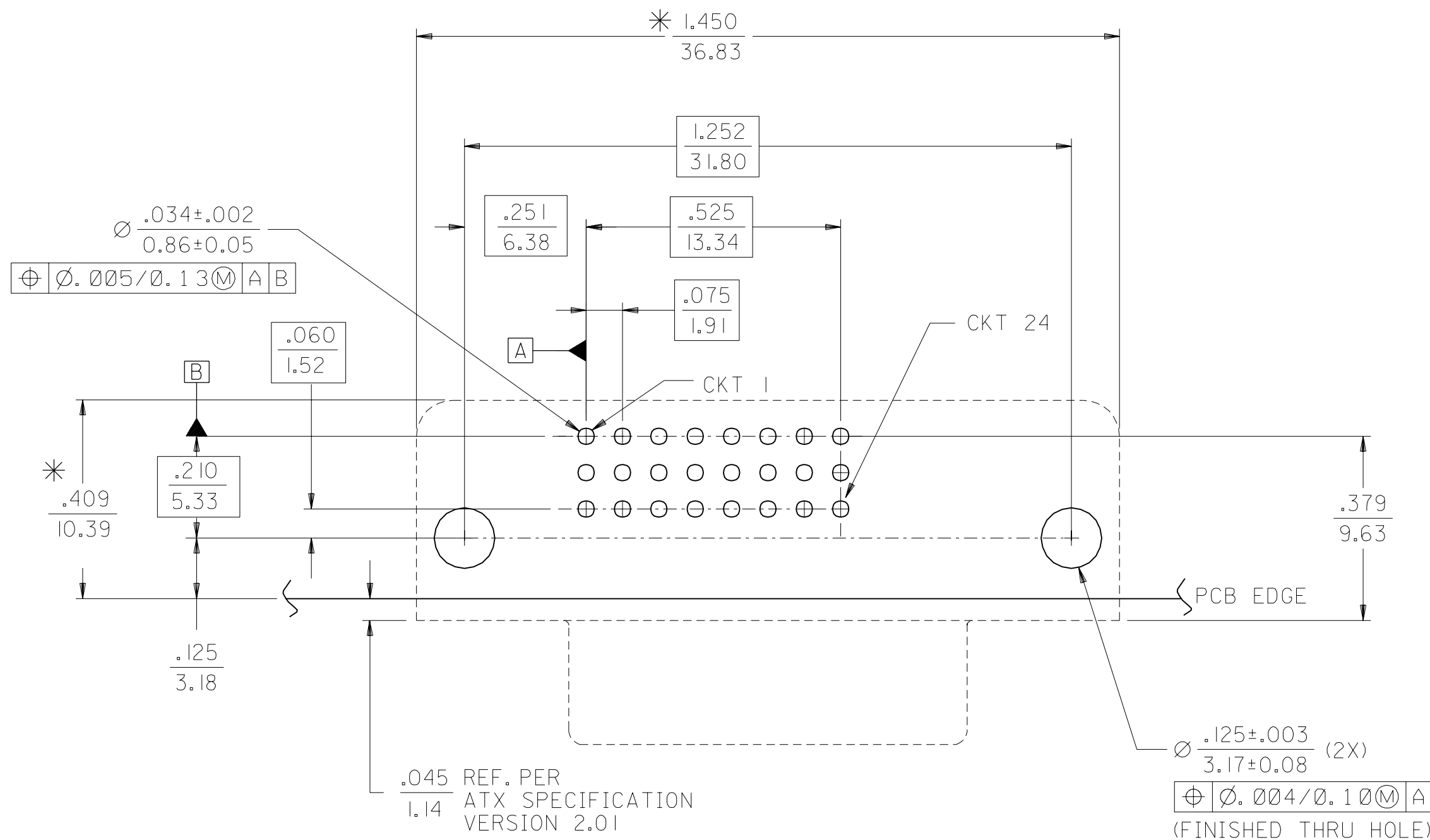
GENERAL TOLERANCES: (UNLESS SPECIFIED)	mm	INCH
4 PLACES	±0.	±.
3 PLACES	±0.	±. 010
2 PLACES	±0.25	±. 010
1 PLACE	±0.25	±. 010

ANGULAR: ± 1/2°

DRAFT WHERE APPLICABLE MUST REMAIN WITHIN DIMENSIONS

SCALE	DESIGN UNITS	THIRD ANGLE PROJECTION
4 : 1	<input type="checkbox"/> mm <input checked="" type="checkbox"/> INCH	<input checked="" type="checkbox"/> THIRD ANGLE PROJECTION

DIMENSIONS:		SHT	REV
<input type="checkbox"/> mm <input checked="" type="checkbox"/> INCH	<input type="checkbox"/> mm ONLY		REVISE ON CAD ONLY
DRAWN BY & DATE TMCCLELL 99/05/12		TITLE: DVI - D/ATX RIGHT ANGLE RECEPTACLE CONNECTOR W/FORKLOCK	
CHECKED BY & DATE MOSULLIV 99/05/12		MOLEX INCORPORATED	
APPROVED BY & DATE NELLIGAN 99/05/12		CAD FILENAME SD74320009.S01	SHEET NO. 1 OF 2
THIS DRAWING CONTAINS INFORMATION THAT IS PROPRIETARY TO MOLEX INCORPORATED AND SHOULD NOT BE USED WITHOUT WRITTEN PERMISSION.		MATERIAL NO. SEE CHART	DRAWING NO. SD-74320-009



RECOMMENDED PCB LAYOUT

COMPONENT SIDE OF PCB SHOWN

* THESE DIMENSIONS REPRESENT CONNECTOR OVERLAY ON PCB.

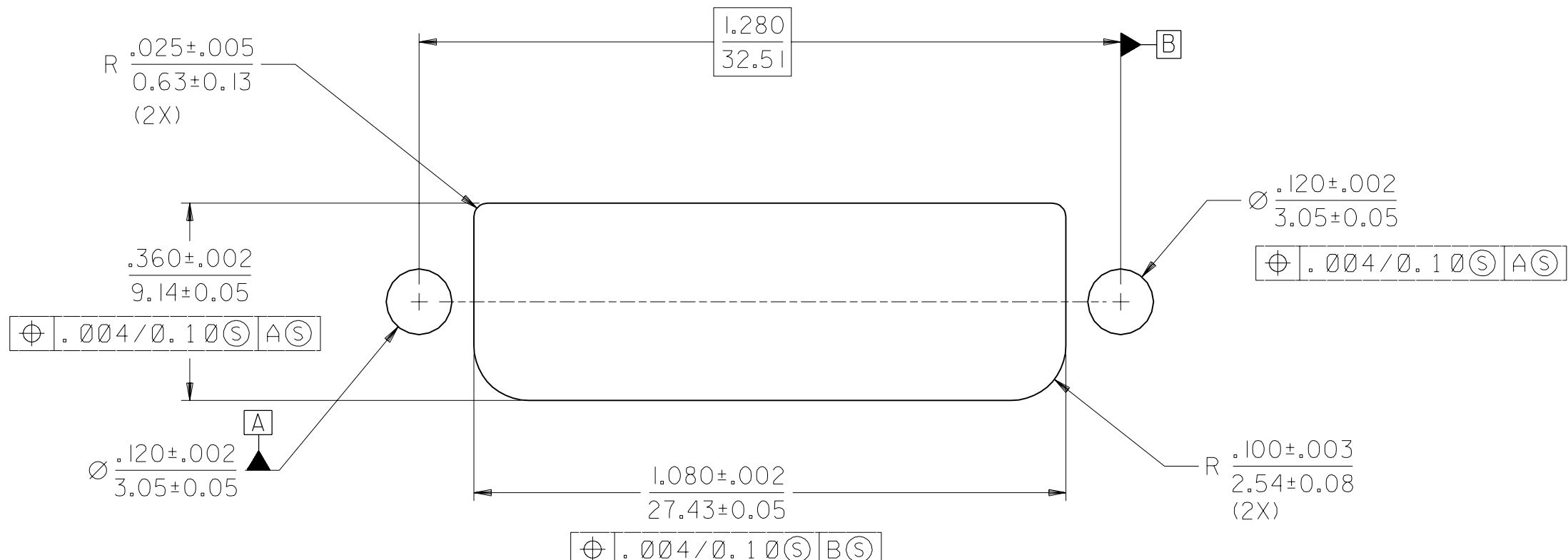
PLATING OPTIONS:

PLATING OPTION #1:

OUTER SHIELD -- 150u"/(3.75um) MIN. BRIGHT TIN OVER 50u"/(1.27um) MIN. NICKEL OVER COPPER FLASH
 .075"/(1.91mm) CONTACTS -- 30u"/(0.75um) MIN. SELECT GOLD AND 100u"/(2.50um) MIN. SELECT PURE TIN OVER 50u"/(1.27um) MIN. NICKEL OVERALL.

PLATING OPTION #2:

OUTER SHIELD -- 150u"/(3.75um) MIN. BRIGHT TIN OVER 50u"/(1.27um) MIN. NICKEL OVER COPPER FLASH
 .075"/(1.91mm) CONTACTS -- SELECT GOLD FLASH AND 100u"/(2.50um) MIN. SELECT PURE TIN OVER 50u"/(1.27um) MIN. NICKEL OVERALL.



RECOMMENDED PANEL CUT-OUT

PANEL THICKNESS: .030" - .040"

MODIFICATION EC NO. SH2004-0130 DRWN: DXUE 04/03/05 CHK: HARVEY 04/03/11 APPR: SHUANG 04/03/12	QUALITY SYMBOLS MAJOR = 0 CRITICAL = 0	GENERAL TOLERANCES: (UNLESS SPECIFIED)	SCALE 4 : 1	DESIGN UNITS <input type="checkbox"/> mm <input checked="" type="checkbox"/> INCH	THIRD ANGLE PROJECTION	DIMENSIONS: <input type="checkbox"/> INCH ONLY <input type="checkbox"/> SHT <input type="checkbox"/> REV <input type="checkbox"/> mm <input checked="" type="checkbox"/> INCH <input type="checkbox"/> mm ONLY <input type="checkbox"/> REVISE ON CAD ONLY
		4 PLACES ±0. ±.	DRAWN BY & DATE TMCCLELL 99/05/12	TITLE: DVI - D/ATX RIGHT ANGLE RECEPTACLE CONNECTOR W/FORKLOCK		
		3 PLACES ±0. ±.010	CHECKED BY & DATE MOSULLIV 99/05/12	MOLEX INCORPORATED		
		2 PLACES ±0.25 ±.010	APPROVED BY & DATE NELLIGAN 99/05/15	CAD FILENAME SD74320009.S02	MATERIAL NO. SEE CHART	DRAWING NO. SD-74320-009
		1 PLACE ±0.25 ±.010	ANGULAR: ± 1/2°	THIS DRAWING CONTAINS INFORMATION THAT IS PROPRIETARY TO MOLEX INCORPORATED AND SHOULD NOT BE USED WITHOUT WRITTEN PERMISSION.		
		DRAFT WHERE APPLICABLE MUST REMAIN WITHIN DIMENSIONS				SIZE C