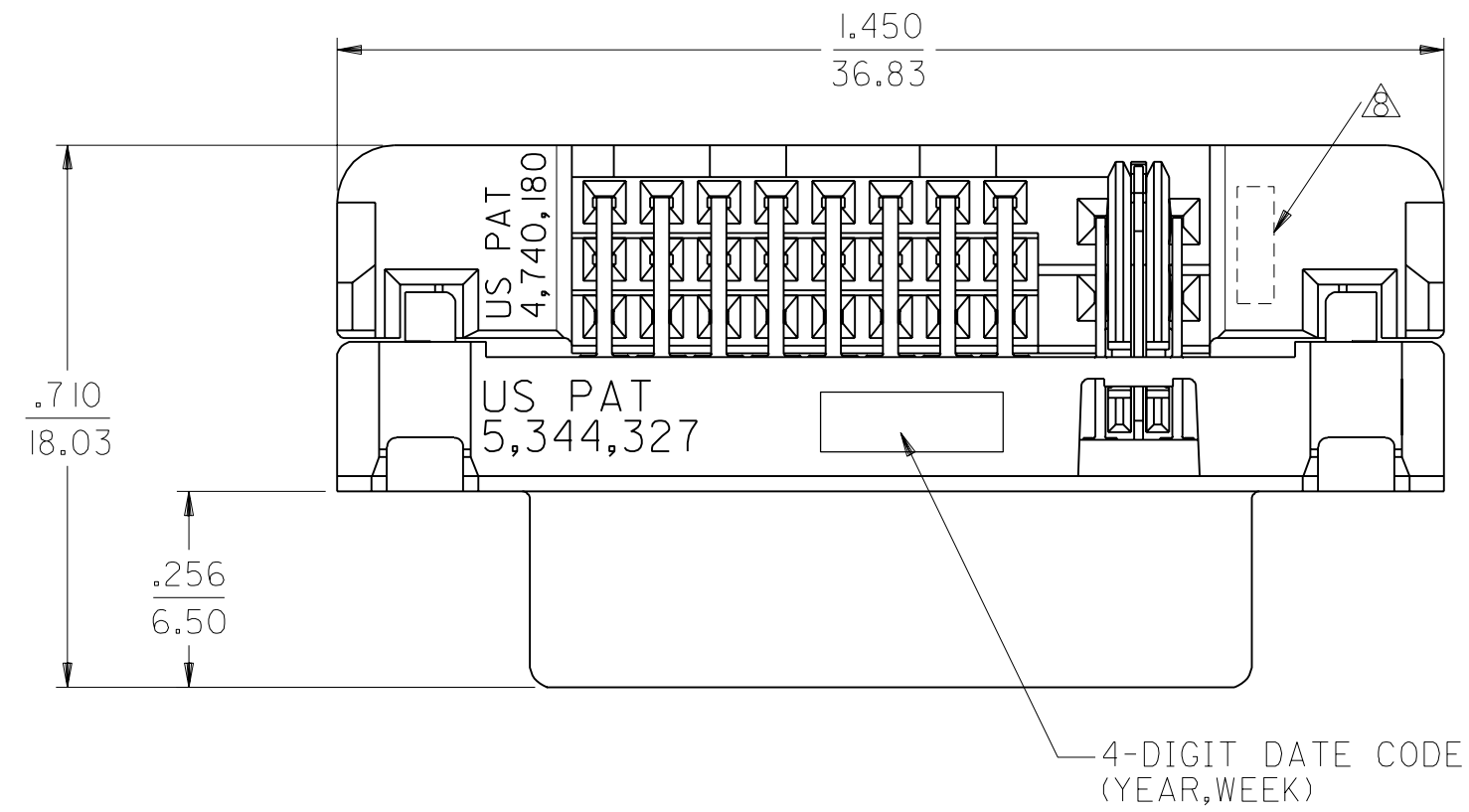
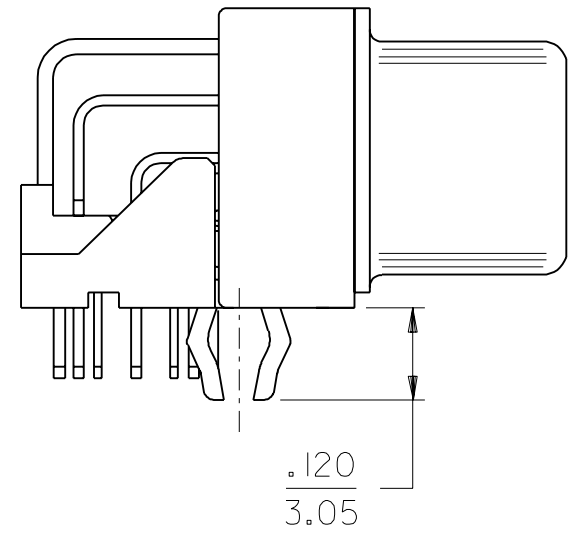


PART NUMBER	DIM "A"	PLATING OPTION
74320-9010	.092/2.34	1
74320-9014		2

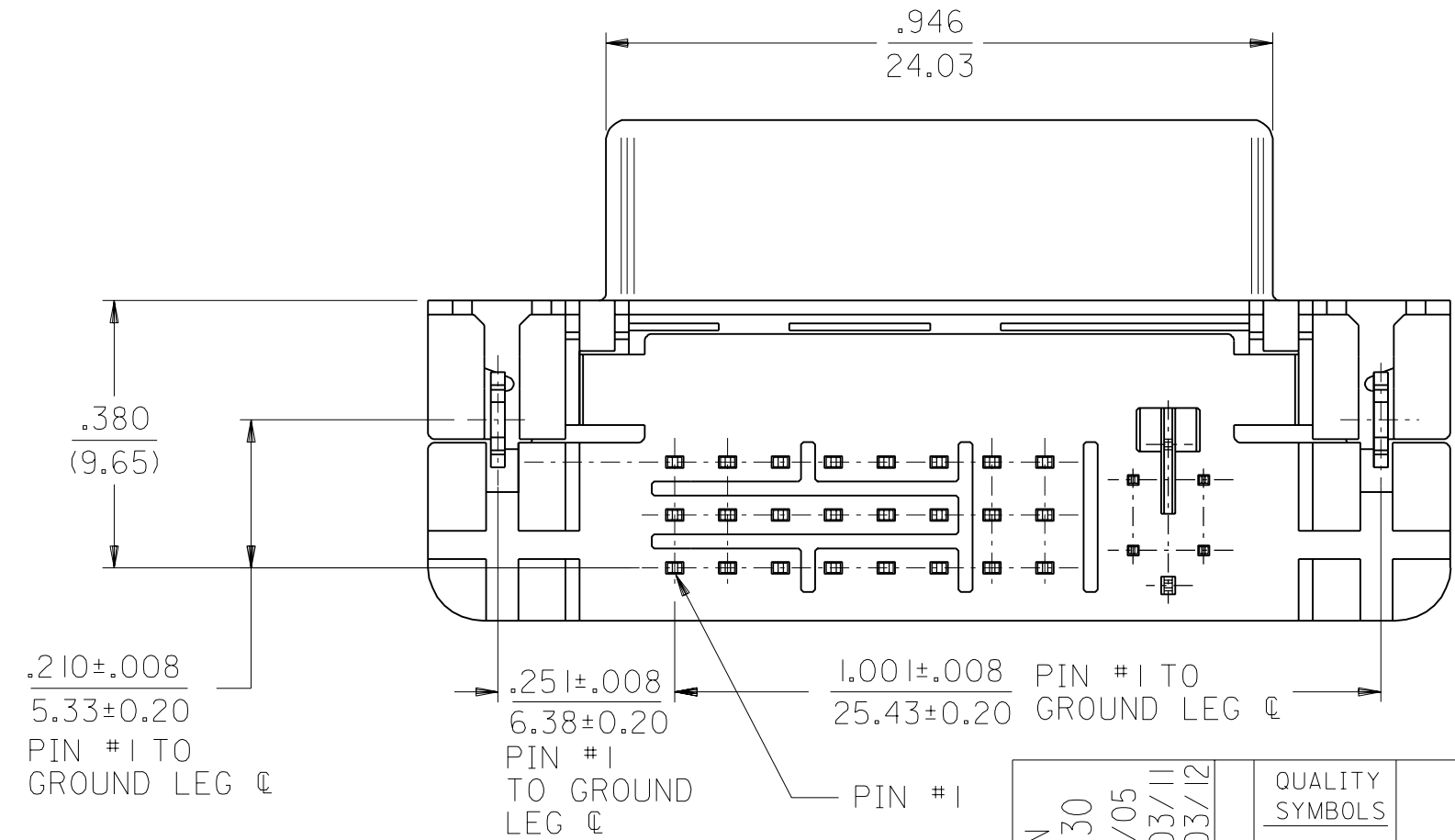
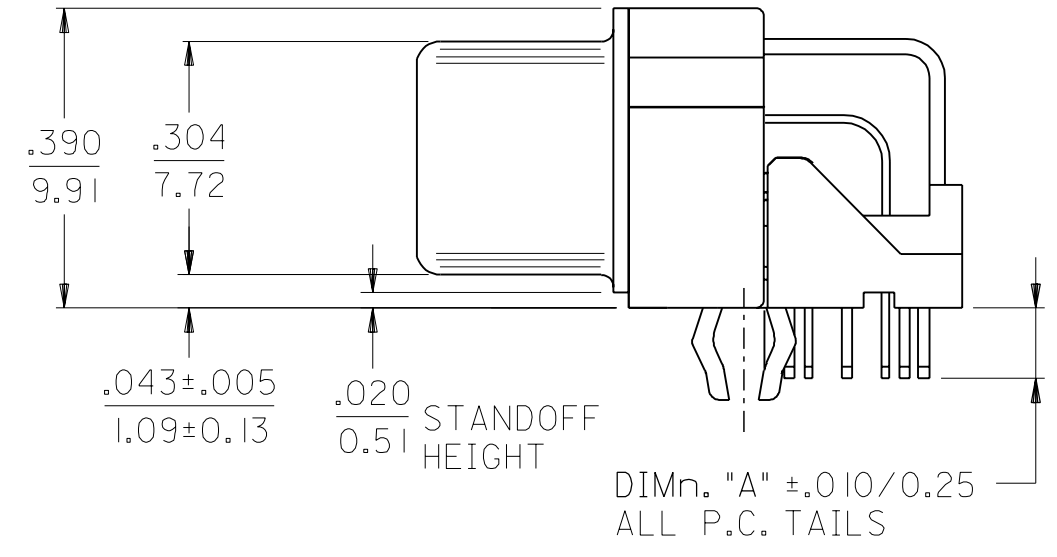
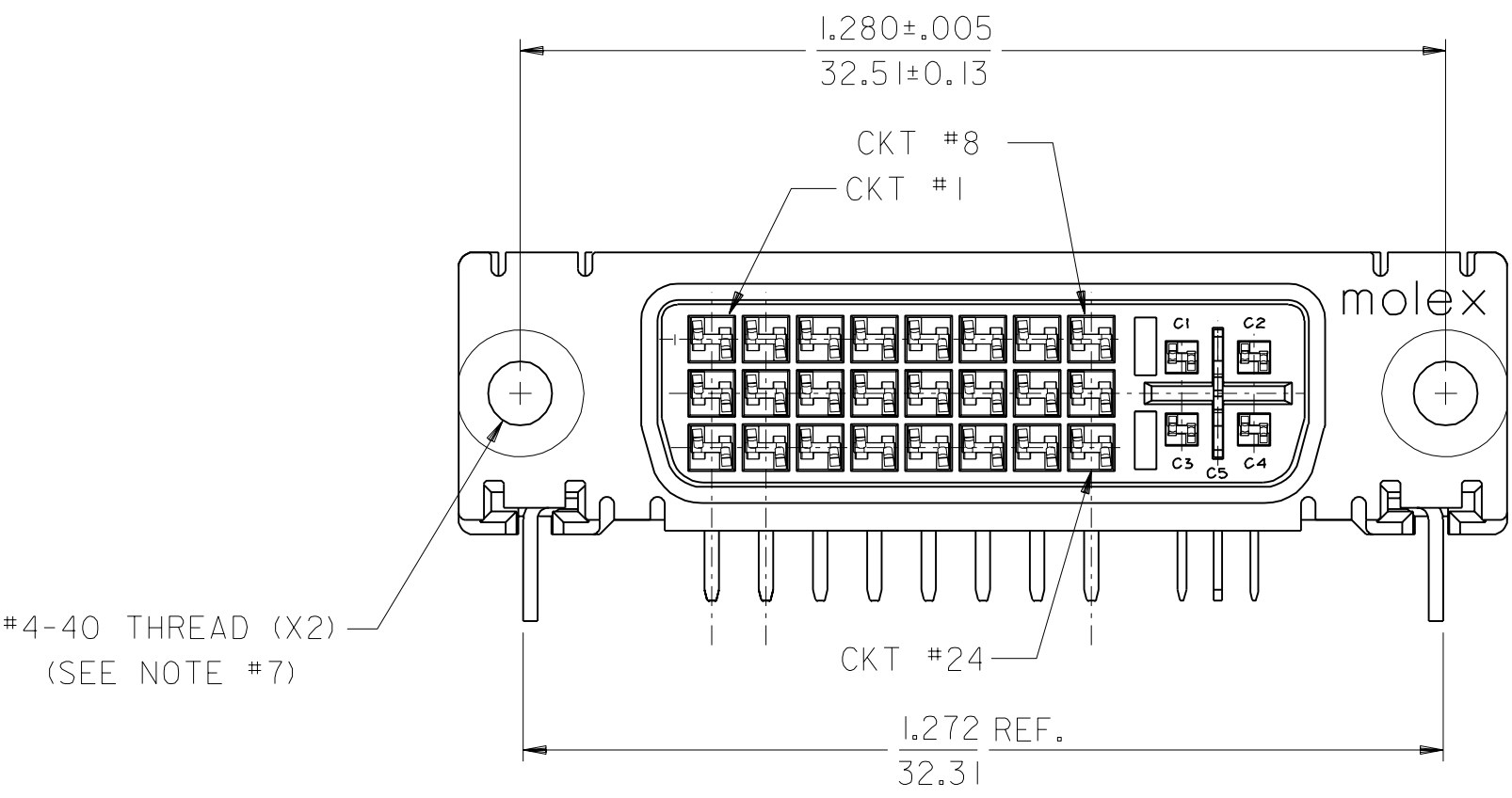


NOTES:

- MATERIALS:
SHIELD -- DEEP DRAW STEEL.
HOUSING -- GLASS FILLED POLYMER, WHITE/NATURAL, UL 94v-0.
TAIL ALIGNER -- GLASS FILLED POLYMER, WHITE/NATURAL, UL 94v-0.
CONTACTS -- COPPER ALLOY.
MICROCROSS GROUND -- COPPER ALLOY.
 - PLATING: SEE SHEET 2
 - PRODUCT CONFORMS TO MOLEX PRODUCT SPECIFICATION NUMBER PS-74320-001.
 - SEE SHEET 2 FOR RECOMMENDED PANEL CUT-OUT AND P.C.B. LAYOUT.
 - PARTS WILL BE PACKAGED IN TRAYS PER PK-74320-010.
 - PRODUCT CONFORMS TO DDWG DVI SPECIFICATION. REFER TO THIS SPECIFICATION FOR CONNECTOR MATING DIMENSIONS.
 - RECOMMENDED MOUNTING HARDWARE IS MOLEX P/N 71781-0001 OR 82007-0300 OR 88780-6066. REFER TO PRODUCT SPECIFICATION NUMBER PS-74320-001 FOR THE APPLICATION TORQUE REQUIREMENT FOR ASSEMBLING MOUNTING HARDWARE.
- ⚠ CAVITY NO. AND MANUFACTURING PLANT CODE.



#4-40 THREAD (X2)
(SEE NOTE #7)



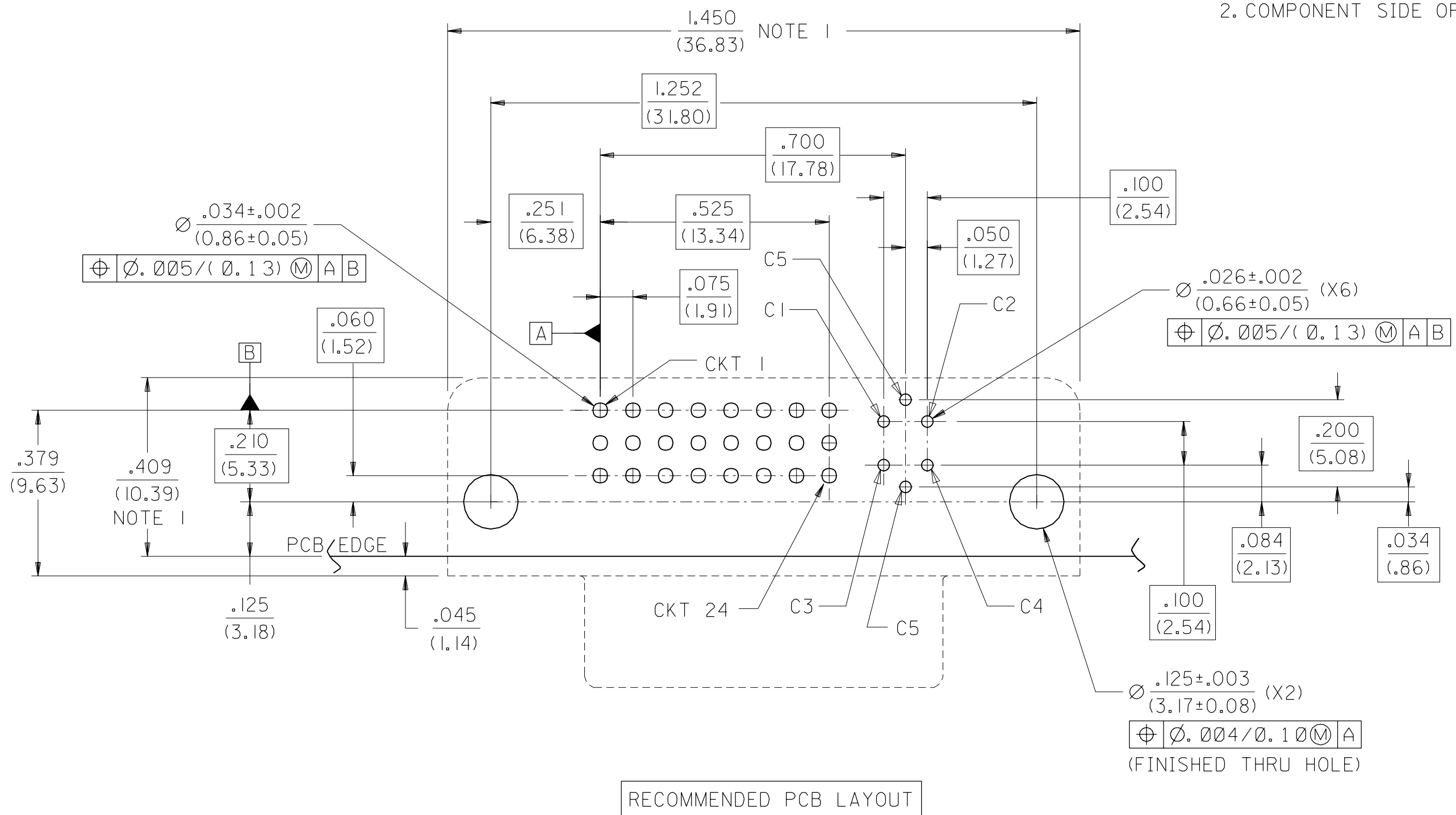
MODIFICATION	DESCRIPTION	QUALITY SYMBOLS
EC No. SH2004-0130		MAJOR = 0
DRWN: DXUE 04/03/05		CRITICAL = 0
CHK: HARVEY 04/03/11		
APPR: SHUANG 04/03/12		
REV	DESCRIPTION	
C		

GENERAL TOLERANCES: (UNLESS SPECIFIED)	
4 PLACES	±0.05
3 PLACES	±0.10
2 PLACES	±0.25
1 PLACE	±0.50
ANGULAR: ± 1/2°	
DRAFT WHERE APPLICABLE MUST REMAIN WITHIN DIMENSIONS	

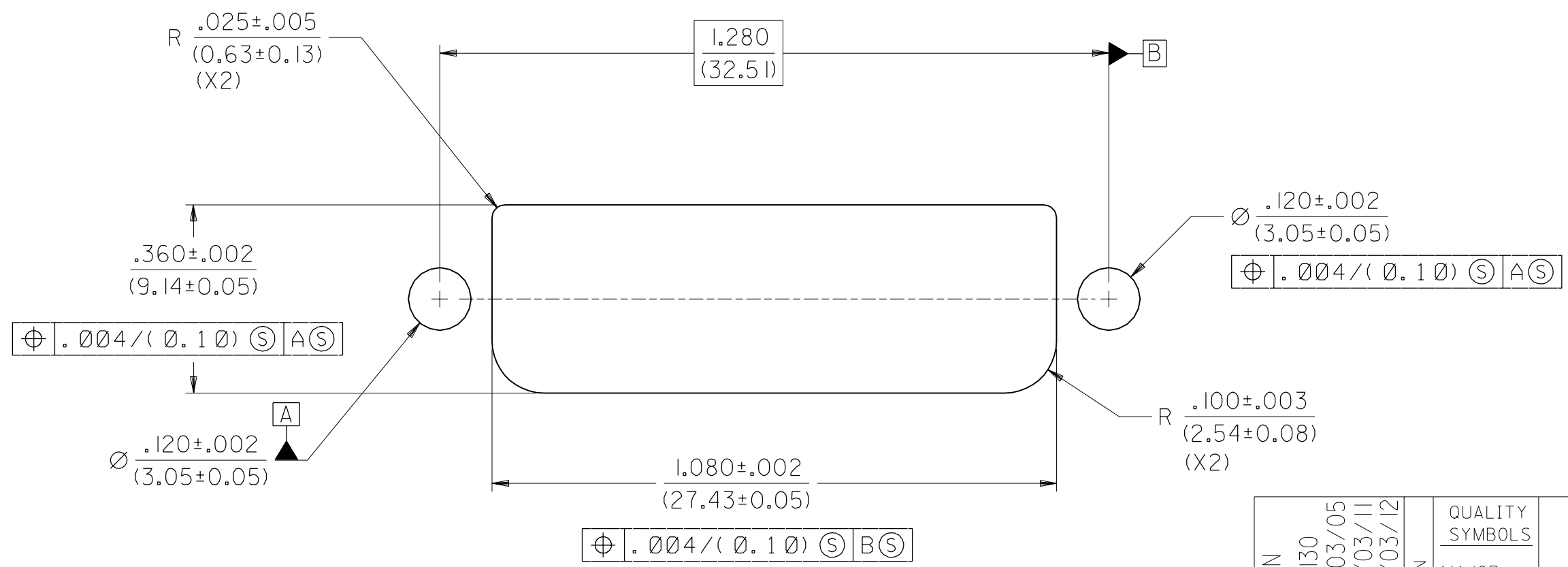
SCALE 4 : 1	DESIGN UNITS <input type="checkbox"/> mm <input checked="" type="checkbox"/> INCH
DRAWN BY & DATE TMCCLELL 99/11/16	
CHECKED BY & DATE SCHMIDGA 99/11/16	
APPROVED BY & DATE NELSON 99/11/16	
CAD FILENAME SD74320026.S01	MATERIAL NO. SEE CHART

DIMENSIONS: <input type="checkbox"/> mm <input checked="" type="checkbox"/> INCH <input type="checkbox"/> mm ONLY		SHT	REV
THIRD ANGLE PROJECTION		REVISE ON CAD ONLY	
TITLE: DVI - I RIGHT ANGLE RECEPTACLE CONNECTOR W/FORKLOCK			
MOLEX INCORPORATED			
CAD FILENAME SD74320026.S01	MATERIAL NO. SEE CHART	DRAWING NO. SD-74320-026	SHEET NO. 1 OF 2
THIS DRAWING CONTAINS INFORMATION THAT IS PROPRIETARY TO MOLEX INCORPORATED AND SHOULD NOT BE USED WITHOUT WRITTEN PERMISSION.			SIZE C

NOTES:
 1. THESE DIMENSIONS REPRESENT CONNECTOR OVERLAY ON PCB.
 2. COMPONENT SIDE OF PCB SHOWN.



RECOMMENDED PCB LAYOUT



RECOMMENDED PANEL CUT-OUT

NOTE:
 1. PANEL THICKNESS: .030" - .040".

PLATING OPTIONS:

PLATING OPTION #1:

OUTER SHIELD -- 150u"/(3.75um) MIN. BRIGHT TIN OVER 50u"/(1.27um) MIN. NICKEL OVER COPPER FLASH
 .075"/(1.91mm) CONTACTS -- 30u"/(0.75um) MIN. SELECT GOLD AND 100u"/(2.50um) MIN. SELECT PURE TIN OVER 50u"/(1.27um) MIN. NICKEL OVERALL.

PLATING OPTION #2:

OUTER SHIELD -- 150u"/(3.75um) MIN. BRIGHT TIN OVER 50u"/(1.27um) MIN. NICKEL OVER COPPER FLASH
 .075"/(1.91mm) CONTACTS -- SELECT GOLD FLASH AND 100u"/(2.50um) MIN. SELECT PURE TIN OVER 50u"/(1.27um) MIN. NICKEL OVERALL.

MODIFICATION EC NO. SH2004-0130 DRWN: DXUE 04/03/05 CHK: HARVEY 04/03/11 APPR: SHUANG 04/03/12	QUALITY SYMBOLS	GENERAL TOLERANCES: (UNLESS SPECIFIED)		SCALE 4 : 1	DESIGN UNITS <input type="checkbox"/> mm <input checked="" type="checkbox"/> INCH	THIRD ANGLE PROJECTION <input checked="" type="checkbox"/>	DIMENSIONS: <input type="checkbox"/> INCH ONLY <input checked="" type="checkbox"/> mm <input type="checkbox"/> mm ONLY	SHT	REV
	MAJOR $\nabla=0$	4 PLACES	±0.	±.	DRAWN BY & DATE	TITLE: DVI - I			
	CRITICAL $\nabla c=0$	3 PLACES	±0.	±.010	CHECKED BY & DATE	RIGHT ANGLE W/FORKLOCK RECEPTACLE CONNECTOR			
		2 PLACES	±0.25	±.010	APPROVED BY & DATE	MOLEX INCORPORATED			
		1 PLACE	±0.25	±.010	NELSON 99/11/16	CAD FILENAME	MATERIAL NO.	DRAWING NO.	SHEET NO.
			ANGULAR: ± 1/2°		SD74320026.S02	SEE CHART	SD-74320-026	2	
			DRAFT WHERE APPLICABLE MUST REMAIN WITHIN DIMENSIONS		THIS DRAWING CONTAINS INFORMATION THAT IS PROPRIETARY TO MOLEX INCORPORATED AND SHOULD NOT BE USED WITHOUT WRITTEN PERMISSION.				SIZE C