

SEE DETAIL1

DETAIL1
SCALE 2:1

LANE LINK 4X

I-PASS™ IS A TRADEMARK OF MOLEX

NOTES:

1. MATERIAL
BACKSHELLS - ZINC DIECAST
PULL- MOLDED PLASTIC
2. LENGTH= SEE TABLE
3. ELECTRICAL PERFORMANCE AS PER SERIAL ATTACH SCSI 1.1
4. SAS PLUG MATES TO RECEPTACLE 75586 SERIES,
AND EMI HOUSING ASSY, 74548-100
5. 4X LANE LINK COMPLIES WITH SFF-8470
6. THIS PRODUCT MEETS THE RESTRICTION OF HAZARDOUS SUBSTANCES
IN ELECTRICAL AND ELECTRONIC EQUIPMENT (RoHS) DIRECTIVE
(2002/95/EC)

ENTER DESCRIPTION EC NO: USY2007-0468 DRWN: SNAVARRO CHKD: DDOYE APPR: DDOYE	2007/06/22 2007/06/22 2007/06/25	QUALITY SYMBOLS ▽=0 ▽=0	GENERAL TOLERANCES (UNLESS SPECIFIED)		DIMENSION STYLE MM ONLY		SCALE 1:1	DESIGN UNITS METRIC	THIRD ANGLE PROJECTION		
			4 PLACES	± ---	± ---	DRAWN BY KPHILL IPS	DATE 2005/09/06	TITLE I-PASS X4 26 CKT TO LANE LINK 4X CBL ASSY PLUG TO PLUG			
			3 PLACES	± ---	± ---	CHECKED BY T. HALL	DATE 2005/09/06	APPROVED BY DDOYE			
2 PLACES	± 0.13	± ---	APPROVED BY DATE 2005/09/06		MATERIAL NO. SEE TABLE		DOCUMENT NO. SD-74547-200		SHEET NO. 1 OF 4		
1 PLACE	± 0.25	± ---	ANGULAR ±1/2°		DRAFT WHERE APPLICABLE MUST REMAIN WITHIN DIMENSIONS		MOLEX INCORPORATED				
THIS DRAWING CONTAINS INFORMATION THAT IS PROPRIETARY TO MOLEX INCORPORATED AND SHOULD NOT BE USED WITHOUT WRITTEN PERMISSION											

KEYING IDENTIFIER
SAS

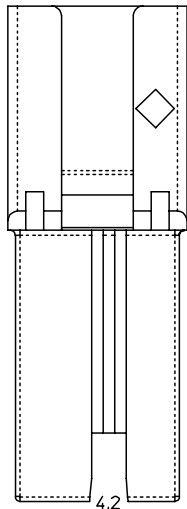
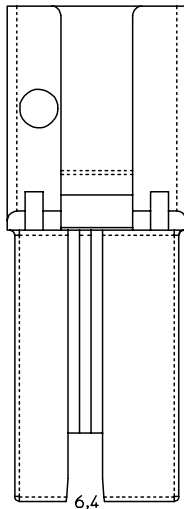
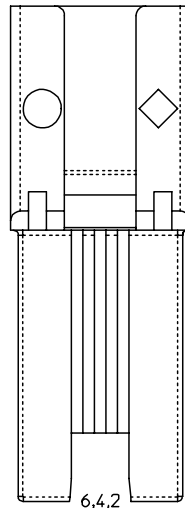


TABLE
ROUTING



SUBSTRACTIVE
ROUTING



UNIVERSAL
KEY

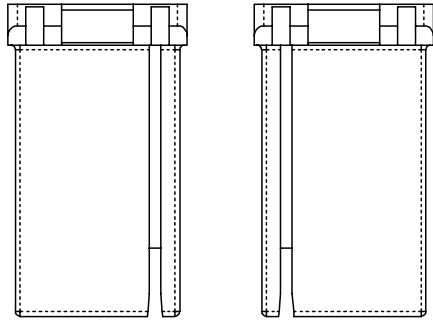
Material Number	Description	GAUGE	LENGTH	KEY	IDENTIFIER
74547-2021	x4 SAS TO 4X LANE LINK JACK SCREW CABLE ASSEMBLY	28	1M	2.4	TABLE ROUTING (OUT PORT), SAS
74547-2022	x4 SAS TO 4X LANE LINK JACK SCREW CABLE ASSEMBLY	28	2M	2.4	TABLE ROUTING (OUT PORT), SAS
74547-2023	x4 SAS TO 4X LANE LINK JACK SCREW CABLE ASSEMBLY	28	3M	2.4	TABLE ROUTING (OUT PORT), SAS
74547-2024	x4 SAS TO 4X LANE LINK JACK SCREW CABLE ASSEMBLY	28	4M	2.4	TABLE ROUTING (OUT PORT), SAS
74547-2025	x4 SAS TO 4X LANE LINK JACK SCREW CABLE ASSEMBLY	26	5M	2.4	TABLE ROUTING (OUT PORT), SAS
74547-2026	x4 SAS TO 4X LANE LINK JACK SCREW CABLE ASSEMBLY	24	6M	2.4	TABLE ROUTING (OUT PORT), SAS
74547-2027	x4 SAS TO 4X LANE LINK JACK SCREW CABLE ASSEMBLY	24	7M Δ	2.4	TABLE ROUTING (OUT PORT), SAS
74547-2028	x4 SAS TO 4X LANE LINK JACK SCREW CABLE ASSEMBLY	24	8M Δ	2.4	TABLE ROUTING (OUT PORT), SAS
74547-2029	x4 SAS TO 4X LANE LINK JACK SCREW CABLE ASSEMBLY	28	0.25M	2.4	TABLE ROUTING (OUT PORT), SAS
74547-2030	x4 SAS TO 4X LANE LINK JACK SCREW CABLE ASSEMBLY	28	0.5M	2.4	TABLE ROUTING (OUT PORT), SAS
74547-2041	x4 SAS TO 4X LANE LINK JACK SCREW CABLE ASSEMBLY	28	1M	4.6	SUBSTRACTIVE ROUTING (IN PORT), SAS
74547-2042	x4 SAS TO 4X LANE LINK JACK SCREW CABLE ASSEMBLY	28	2M	4.6	SUBSTRACTIVE ROUTING (IN PORT), SAS
74547-2043	x4 SAS TO 4X LANE LINK JACK SCREW CABLE ASSEMBLY	28	3M	4.6	SUBSTRACTIVE ROUTING (IN PORT), SAS
74547-2044	x4 SAS TO 4X LANE LINK JACK SCREW CABLE ASSEMBLY	28	4M	4.6	SUBSTRACTIVE ROUTING (IN PORT), SAS
74547-2045	x4 SAS TO 4X LANE LINK JACK SCREW CABLE ASSEMBLY	26	5M	4.6	SUBSTRACTIVE ROUTING (IN PORT), SAS
74547-2046	x4 SAS TO 4X LANE LINK JACK SCREW CABLE ASSEMBLY	24	6M	4.6	SUBSTRACTIVE ROUTING (IN PORT), SAS
74547-2047	x4 SAS TO 4X LANE LINK JACK SCREW CABLE ASSEMBLY	24	7M Δ	4.6	SUBSTRACTIVE ROUTING (IN PORT), SAS
74547-2048	x4 SAS TO 4X LANE LINK JACK SCREW CABLE ASSEMBLY	24	8M Δ	4.6	SUBSTRACTIVE ROUTING (IN PORT), SAS
74547-2049	x4 SAS TO 4X LANE LINK JACK SCREW CABLE ASSEMBLY	28	0.25M	4.6	SUBSTRACTIVE ROUTING (IN PORT), SAS
74547-2050	x4 SAS TO 4X LANE LINK JACK SCREW CABLE ASSEMBLY	28	0.5M	4.6	SUBSTRACTIVE ROUTING (IN PORT), SAS
74547-2051	x4 SAS TO 4X LANE LINK JACK SCREW CABLE ASSEMBLY	28	1M	2.4, 4.6	UNIVERSAL KEY, SAS
74547-2052	x4 SAS TO 4X LANE LINK JACK SCREW CABLE ASSEMBLY	28	2M	2.4, 4.6	UNIVERSAL KEY, SAS
74547-2053	x4 SAS TO 4X LANE LINK JACK SCREW CABLE ASSEMBLY	28	3M	2.4, 4.6	UNIVERSAL KEY, SAS
74547-2054	x4 SAS TO 4X LANE LINK JACK SCREW CABLE ASSEMBLY	28	4M	2.4, 4.6	UNIVERSAL KEY, SAS
74547-2055	x4 SAS TO 4X LANE LINK JACK SCREW CABLE ASSEMBLY	26	5M	2.4, 4.6	UNIVERSAL KEY, SAS
74547-2056	x4 SAS TO 4X LANE LINK JACK SCREW CABLE ASSEMBLY	24	6M	2.4, 4.6	UNIVERSAL KEY, SAS
74547-2057	x4 SAS TO 4X LANE LINK JACK SCREW CABLE ASSEMBLY	24	7M Δ	2.4, 4.6	UNIVERSAL KEY, SAS
74547-2058	x4 SAS TO 4X LANE LINK JACK SCREW CABLE ASSEMBLY	24	8M Δ	2.4, 4.6	UNIVERSAL KEY, SAS
74547-2059	x4 SAS TO 4X LANE LINK JACK SCREW CABLE ASSEMBLY	28	0.25M	2.4, 4.6	UNIVERSAL KEY, SAS
74547-2060	x4 SAS TO 4X LANE LINK JACK SCREW CABLE ASSEMBLY	28	0.5M	2.4, 4.6	UNIVERSAL KEY, SAS

Δ - NOT COMPLIANT WITH INSERTION
LOSS SPEC PER SAS 1.1.

IPASS™ IS A TRADEMARK OF MOLEX

ENTER DESCRIPTION EC NO: USY2007-0468 DRWN: SNAVARRO CHKD: DDOYE APPR: DDOYE	2007/06/22 2007/06/22 2007/06/25	QUALITY SYMBOLS $\nabla=0$ $\nabla=0$	GENERAL TOLERANCES (UNLESS SPECIFIED)		DIMENSION STYLE MM ONLY		SCALE 1:1	DESIGN UNITS METRIC	THIRD ANGLE PROJECTION	
			mm	INCH	DRAWN BY KPHILL IPS	DATE 2005/09/06	TITLE I-PASS X4 26 CKT TO LANE LINK 4X CBL ASSY PLUG TO PLUG			
			4 PLACES \pm ---	\pm ---	CHECKED BY T. HALL	DATE 2005/09/06	MOLEX INCORPORATED			
			3 PLACES \pm ---	\pm ---	APPROVED BY DDOYE	DATE 2005/09/06	MATERIAL NO. SEE TABLE			
2 PLACES \pm 0.13		\pm ---	ANGULAR \pm 1/2°		DOCUMENT NO. SD-74547-200		SHEET NO. 2 OF 4			
1 PLACE \pm 0.25		\pm ---	DRAFT WHERE APPLICABLE MUST REMAIN WITHIN DIMENSIONS		THIS DRAWING CONTAINS INFORMATION THAT IS PROPRIETARY TO MOLEX INCORPORATED AND SHOULD NOT BE USED WITHOUT WRITTEN PERMISSION					

10 9 8 7 6 5 4 3 2 1

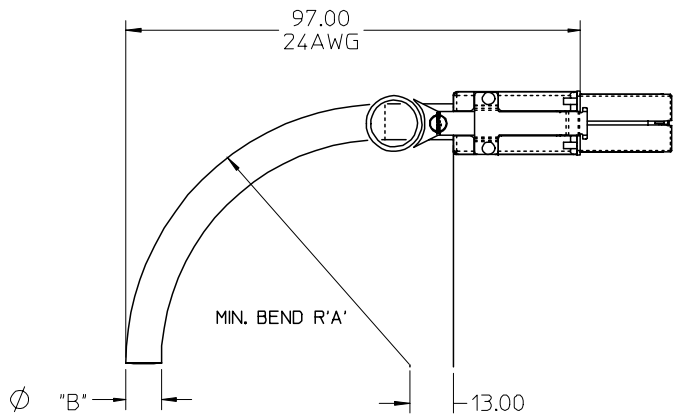


"X" CABLE

"M" CABLE

Material Number	Description	GAUGE	LENGTH	KEY	IDENTIFIER
74547-2001	x4 SATA TO 4X LANE LINK JACK SCREW CABLE ASSEMBLY	28	1M	1.4	X CABLE, SATA
74547-2002	x4 SATA TO 4X LANE LINK JACK SCREW CABLE ASSEMBLY	28	2M	1.4	X CABLE, SATA
74547-2003	x4 SATA TO 4X LANE LINK JACK SCREW CABLE ASSEMBLY	28	3M	1.4	X CABLE, SATA
74547-2004	x4 SATA TO 4X LANE LINK JACK SCREW CABLE ASSEMBLY	28	4M	1.4	X CABLE, SATA
74547-2005	x4 SATA TO 4X LANE LINK JACK SCREW CABLE ASSEMBLY	26	5M	1.4	X CABLE, SATA
74547-2006	x4 SATA TO 4X LANE LINK JACK SCREW CABLE ASSEMBLY	24	6M	1.4	X CABLE, SATA
74547-2007	x4 SATA TO 4X LANE LINK JACK SCREW CABLE ASSEMBLY	24	7M	△	1.4 X CABLE, SATA
74547-2008	x4 SATA TO 4X LANE LINK JACK SCREW CABLE ASSEMBLY	24	8M	△	1.4 X CABLE, SATA
74547-2009	x4 SATA TO 4X LANE LINK JACK SCREW CABLE ASSEMBLY	28	0.25M	1.4	X CABLE, SATA
74547-2010	x4 SATA TO 4X LANE LINK JACK SCREW CABLE ASSEMBLY	28	0.5M	1.4	X CABLE, SATA
74547-2061	x4 SATA TO 4X LANE LINK JACK SCREW CABLE ASSEMBLY	28	1M	7	M CABLE, SATA
74547-2062	x4 SATA TO 4X LANE LINK JACK SCREW CABLE ASSEMBLY	28	2M	7	M CABLE, SATA
74547-2063	x4 SATA TO 4X LANE LINK JACK SCREW CABLE ASSEMBLY	28	3M	7	M CABLE, SATA
74547-2064	x4 SATA TO 4X LANE LINK JACK SCREW CABLE ASSEMBLY	28	4M	7	M CABLE, SATA
74547-2065	x4 SATA TO 4X LANE LINK JACK SCREW CABLE ASSEMBLY	26	5M	7	M CABLE, SATA
74547-2066	x4 SATA TO 4X LANE LINK JACK SCREW CABLE ASSEMBLY	24	6M	7	M CABLE, SATA
74547-2067	x4 SATA TO 4X LANE LINK JACK SCREW CABLE ASSEMBLY	24	7M	7	M CABLE, SATA
74547-2068	x4 SATA TO 4X LANE LINK JACK SCREW CABLE ASSEMBLY	24	8M	7	M CABLE, SATA
74547-2069	x4 SATA TO 4X LANE LINK JACK SCREW CABLE ASSEMBLY	28	0.25M	7	M CABLE, SATA
74547-2070	x4 SATA TO 4X LANE LINK JACK SCREW CABLE ASSEMBLY	28	0.5M	7	M CABLE, SATA

△ - NOT COMPLIANT WITH INSERTION LOSS SPEC PER SAS 1.1.



CABLE	A	B
24AWG	46.9	10.40
26AWG	41.7	9.30
28AWG	37.7	8.40

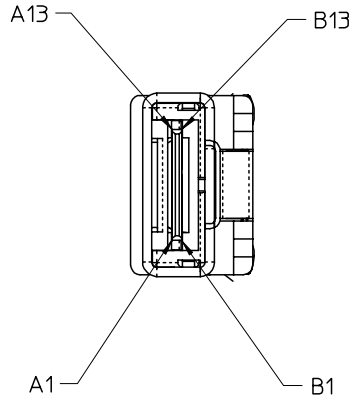
IPASS™ IS A TRADEMARK OF MOLEX

ENTER DESCRIPTION EC NO: USY2007-0468 DRWN: SNAVARRO 2007/06/22 CHKD: DDOYE 2007/06/22 APPR: DDOYE 2007/06/25	QUALITY SYMBOLS ▽=0 ▽=0	GENERAL TOLERANCES (UNLESS SPECIFIED)		DIMENSION STYLE MM ONLY		SCALE 1:1	DESIGN UNITS METRIC	THIRD ANGLE PROJECTION		
		4 PLACES ± --- ± ---	DRAWN BY KPHILL IPS	DATE 2005/09/06	TITLE I-PASS X4 26 CKT TO LANE LINK 4X CBL ASSY PLUG TO PLUG					
		3 PLACES ± --- ± ---	CHECKED BY T. HALL	DATE 2005/09/06	APPROVED BY DDOYE					
		2 PLACES ± 0.13 ± --- 1 PLACE ± 0.25 ± --- ANGULAR ± 1/2°	MATERIAL NO. SEE TABLE		DATE 2005/09/06		MOLEX INCORPORATED		DOCUMENT NO. SD-74547-200	
DRAFT WHERE APPLICABLE MUST REMAIN WITHIN DIMENSIONS				SIZE B	THIS DRAWING CONTAINS INFORMATION THAT IS PROPRIETARY TO MOLEX INCORPORATED AND SHOULD NOT BE USED WITHOUT WRITTEN PERMISSION					

9 8 7 6 5 4 3 2 1

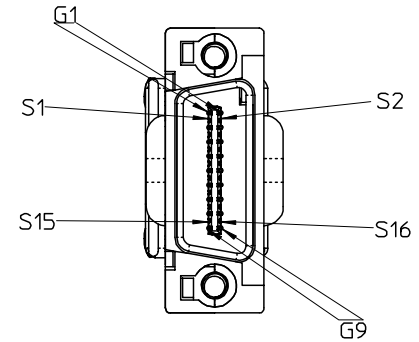
10 9 8 7 6 5 4 3 2 1

SAS 26 CKT



	Rx0+	A2	→	S16	Tx0+	
	Rx0-	A3	←	S15	Tx0-	
	GND	A4	←	G8	GND	
	Rx1+	A5	→	S14	Tx1+	
	Rx1-	A6	←	S13	Tx1-	
	GND	A7	←	G7	GND	
	Rx2+	A8	→	S12	Tx2+	L
	Rx2-	A9	←	S11	Tx2-	A
S	GND	A10	←	G6	GND	N
A	Rx3+	A11	→	S10	Tx3+	E
S	Rx3-	A12	←	S9	Tx3-	L
	GND	A13	←	G5	GND	I
	GND	B13	→	G4	GND	N
2	Tx3-	B12	→	S8	Rx3-	K
6	Tx3+	B11	→	S7	Rx3+	
C	GND	B10	→	G3	GND	4
K	Tx2-	B9	→	S6	Rx2-	X
T	Tx2+	B8	→	S5	Rx2+	
	GND	B7	→	G2	GND	
	Tx1-	B6	→	S4	Rx1-	
	Tx1+	B5	→	S3	Rx1+	
	GND	B4	→	G1	GND	
	Tx0-	B3	→	S2	Rx0-	
	Tx0+	B2	→	S1	Rx0+	

LANE LINK 4X



NOTE: GROUNDS ARE BUSSED IN PCB

I-PASS™ IS A TRADEMARK OF MOLEX

ENTER DESCRIPTION EC NO: USY2007-0468 DRWN: SNAVARRO CHKD: DDOYE APPR: DDOYE	2007/06/22 2007/06/22 2007/06/25	QUALITY SYMBOLS ▽=0 ▽=0	GENERAL TOLERANCES (UNLESS SPECIFIED)		DIMENSION STYLE MM ONLY	SCALE 1:1	DESIGN UNITS METRIC	THIRD ANGLE PROJECTION		
			4 PLACES ± --- ± ---	3 PLACES ± --- ± ---	DRAWN BY KPHILL IPS	DATE 2005/09/06	TITLE I-PASS X4 26 CKT TO LANE LINK 4X CBL ASSY PLUG TO PLUG			
			2 PLACES ± 0.13 ± ---	1 PLACE ± 0.25 ± ---	CHECKED BY T. HALL	DATE 2005/09/06	APPROVED BY DDOYE			
			ANGULAR ±1/2°		MATERIAL NO. SEE TABLE		DATE 2005/09/06		DOCUMENT NO. SD-74547-200	

9 8 7 6 5 4 3 2 1