

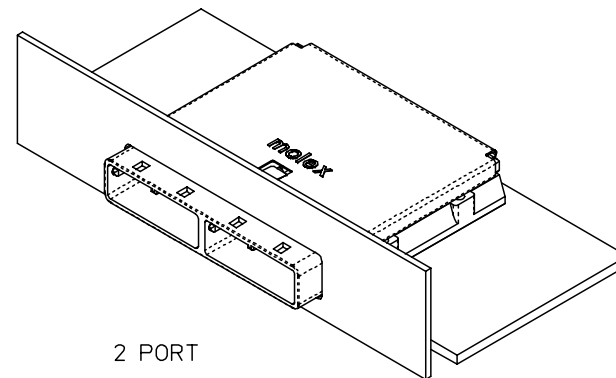
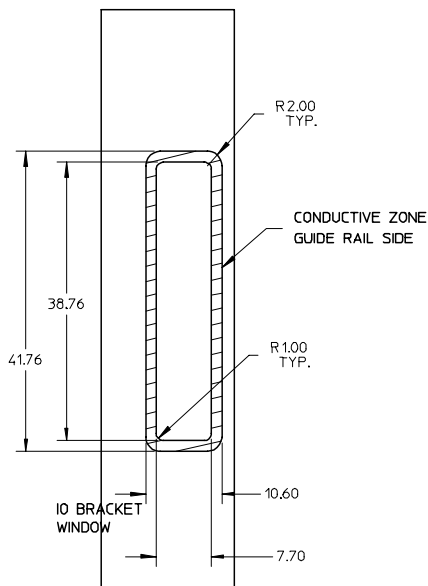
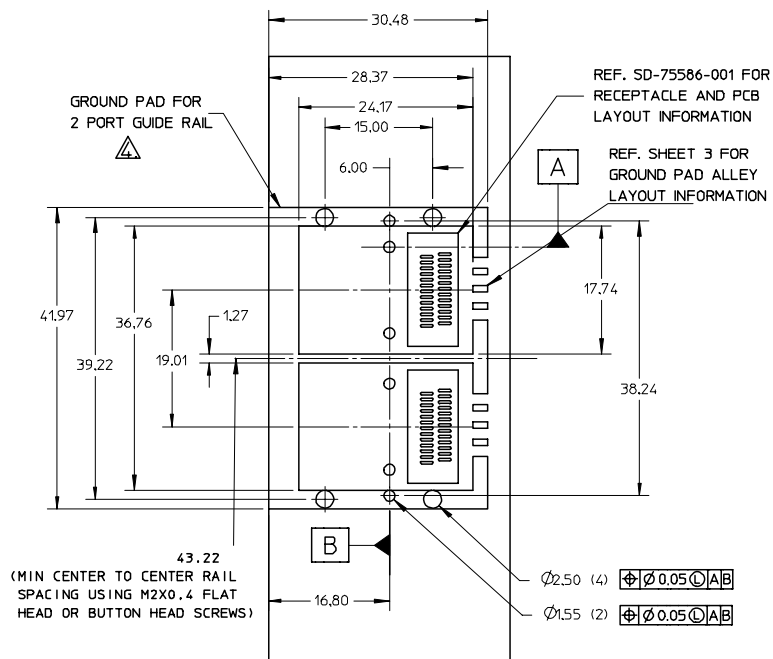
- NOTES:
1. PCB AND BRACKET SHOWN FOR REFERENCE ONLY.
 2. REF. SD-74547-100 FOR KEY POSITIONS
 3. GUIDE HOUSING MOUNTING THREAD= M2 X 0.40, SEE SHEET 3 FOR SCREW LENGTH + TORQUE SPEC.
 4. PLATE GROUND PAD WITH EMERSION SILVER OR GOLD.
 5. THIS PRODUCT MEETS THE RESTRICTION OF HAZARDOUS SUBSTANCES IN ELECTRICAL AND ELECTRONIC EQUIPMENT (RoHS) DIRECTIVE (2002/95/EC)
 6. GUIDE HOUSING PEGS FOR ALIGNMENT ONLY. DO NOT SOLDER.

PART NUMBER	PORT SIZE	SW	OAW	KEY(S) PORT1	KEY(S) PORT2	KEY(S) PORT3	KEY(S) PORT4	IDENTIFIERS
745480200	4	76.30	80.00	1	1	1	1	SATA - 'X' CABLES
745480203	4	76.30	80.00	2,4	2,4	2,4	2,4	SAS OUT PORT/END DEVICE
745480204	4	76.30	80.00	4,6	4,6	4,6	4,6	SAS IN PORT/END DEVICE
745480205	4	76.30	80.00	4	4	4	4	SAS UNIVERSAL PORT
745480212	4	76.30	80.00	7	7	7	7	SATA - 'M' CABLES
745480217	4	76.30	80.00	2	2	2	2	SAS - OUT PORT
745480220	4	76.30	80.00	6	6	6	6	SAS - IN PORT
745480304	4	76.30	80.00	2,7	2,7	2,7	2,7	CX4

I-PASS IS A TRADE MARK OF MOLEX.

ENTER DESCRIPTION EC NO: USY2008-0073 DRWN: JERMIN 2007/08/23 CHKD: DDOYE 2007/09/04 APPR: DDOYE 2007/10/10	QUALITY SYMBOLS ▽=0 ▽=0	GENERAL TOLERANCES (UNLESS SPECIFIED)		DIMENSION STYLE MM ONLY		SCALE 1:1	DESIGN UNITS METRIC	THIRD ANGLE PROJECTION
		4 PLACES ± --- ± ---	DRAWN BY SNAVARRO	DATE 2006/05/26	TITLE I-PASS 26CKT ZERO DEG. EMI GUIDE RAIL HOUSING ASSEMBLY, MULTI PORT			
		3 PLACES ± --- ± ---	CHECKED BY BREED	DATE 2006/05/26	MOLEX MOLEX INCORPORATED			
		2 PLACES ± 0.13 ± --- 1 PLACE ± 0.25 ± --- ANGULAR ± 1/2°	APPROVED BY DDOYE	DATE 2006/05/26	MATERIAL NO. SEE CHART DOCUMENT NO. SD-74548-200			
DRAFT WHERE APPLICABLE MUST REMAIN WITHIN DIMENSIONS		SIZE B	THIS DRAWING CONTAINS INFORMATION THAT IS PROPRIETARY TO MOLEX INCORPORATED AND SHOULD NOT BE USED WITHOUT WRITTEN PERMISSION					

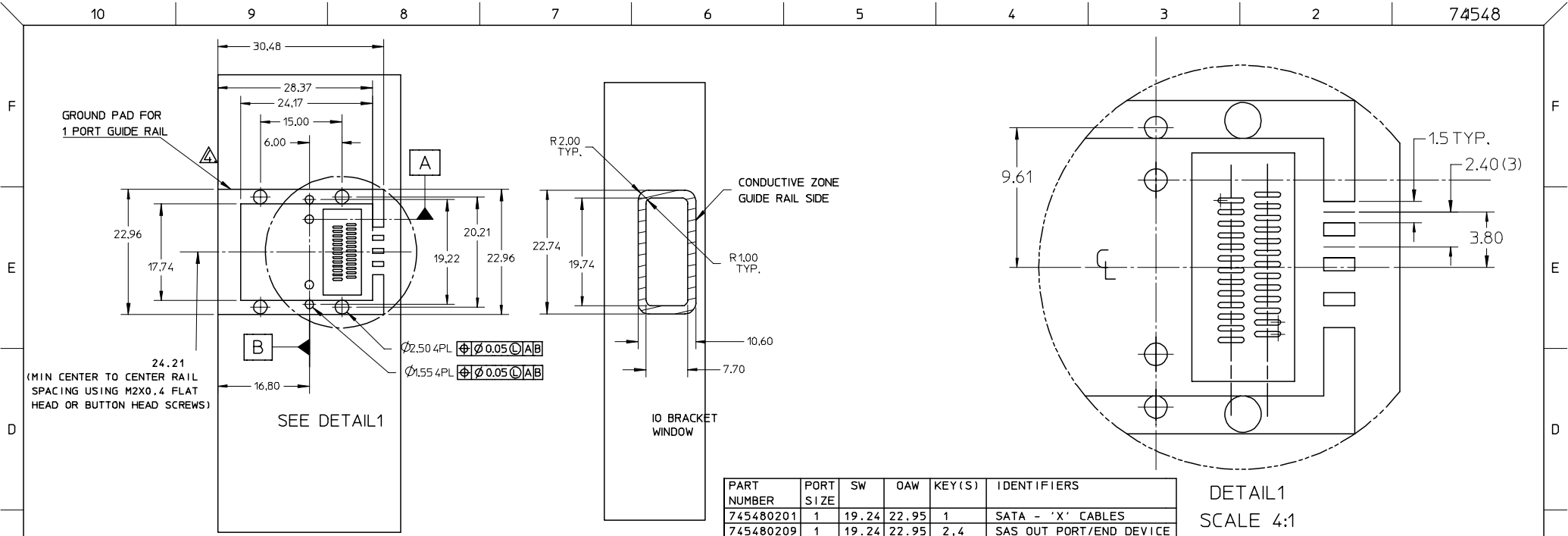
F
E
D
C
B
A



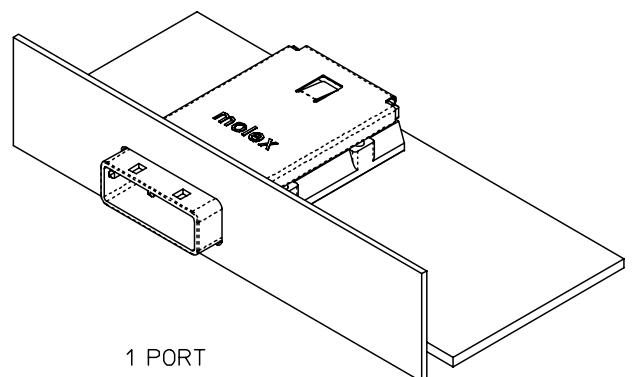
PART NUMBER	PORT SIZE	SW	OAW	KEY(S) PORT1	KEY(S) PORT2	IDENTIFIERS
745480202	2	38.26	41.96	1	1	SATA - 'X' CABLES
745480206	2	38.26	41.96	2.4	2.4	SAS OUT PORT/END DEVICE
745480207	2	38.26	41.96	4.6	4.6	SAS IN PORT/END DEVICE
745480208	2	38.26	41.96	4	4	SAS UNIVERSAL PORT
745480213	2	38.26	41.96	7	7	SATA - 'M' CABLES
745480215	2	38.26	41.96	4.6	2.4	SAS IN PORT - SAS OUT PORT
745480216	2	38.26	41.96	2.4	4.6	SAS OUT PORT - SAS IN PORT
745480218	2	38.26	41.96	2	2	SAS - IN PORT
745480221	2	38.26	41.96	6	6	SAS - OUT PORT
745480224	2	38.26	41.96	3	3	SRIO

I-PASS IS A TRADE MARK OF MOLEX.

ENTER DESCRIPTION EC NO: USY2008-0073 DRWN: JERWIN 2007/08/23 CHKD: DDOYE 2007/09/04 APPR: DDOYE 2007/10/10	QUALITY SYMBOLS ▽=0 ▽=0	GENERAL TOLERANCES (UNLESS SPECIFIED)		DIMENSION STYLE MM ONLY		SCALE 1:1	DESIGN UNITS METRIC	THIRD ANGLE PROJECTION
		4 PLACES ± --- ± ---	DRAWN BY SNAVARRO	DATE 2006/05/26	TITLE I-PASS 26CKT ZERO DEG. EMI GUIDE RAIL HOUSING ASSEMBLY, MULTI PORT			
		3 PLACES ± --- ± ---	CHECKED BY BREED	DATE 2006/05/26				
		2 PLACES ± 0.13 ± ---	APPROVED BY DDOYE	DATE 2006/05/26	MOLEX MOLEX INCORPORATED			
1 PLACE ± 0.25 ± ---	MATERIAL NO. SEE CHART		DOCUMENT NO. SD-74548-200					
DRAFT WHERE APPLICABLE MUST REMAIN WITHIN DIMENSIONS		SIZE B	THIS DRAWING CONTAINS INFORMATION THAT IS PROPRIETARY TO MOLEX INCORPORATED AND SHOULD NOT BE USED WITHOUT WRITTEN PERMISSION					



PART NUMBER	PORT SIZE	SW	OAW	KEY(S)	IDENTIFIERS
745480201	1	19.24	22.95	1	SATA - 'X' CABLES
745480209	1	19.24	22.95	2,4	SAS OUT PORT/END DEVICE
745480210	1	19.24	22.95	4,6	SAS IN PORT/END DEVICE
745480211	1	19.24	22.95	4	SAS UNIVERSAL PORT
745480214	1	19.24	22.95	7	SATA - 'M' CABLES
745480219	1	19.24	22.95	2	SAS OUT PORT
745480222	1	19.24	22.95	6	SAS IN PORT
745480225	1	19.24	22.95	3	SR10
745480229	1	19.24	22.95	2,7	CX4



PCB THICKNESS	SCREW LENGTH	TORQUE (IN LBS)
1.6 (.063')	5MM	2.3
2.38 (.093')	6MM	2.3
3.2 (.125')	6MM	2.3
X	+4MM MAX	2.3

I-PASS™ IS A TRADE MARK OF MOLEX.

ENTER DESCRIPTION EC NO: USY2008-0073 DRWN: JERMIN 2007/08/23 CHKD: DDOYE 2007/09/04 APPR: DDOYE 2007/10/10	QUALITY SYMBOLS ▽=0 ▽=0	GENERAL TOLERANCES (UNLESS SPECIFIED) mm INCH 4 PLACES ± --- ± --- 3 PLACES ± --- ± --- 2 PLACES ± 0.13 ± --- 1 PLACE ± 0.25 ± --- ANGULAR ±1/2°	DIMENSION STYLE MM ONLY DRAWN BY: SNAVARRO DATE: 2006/05/26 CHECKED BY: BREED DATE: 2006/05/26 APPROVED BY: DDOYE DATE: 2006/05/26	SCALE: 1:1 DESIGN UNITS: METRIC THIRD ANGLE PROJECTION
	DRAFT WHERE APPLICABLE MUST REMAIN WITHIN DIMENSIONS		MATERIAL NO.: SEE CHART DOCUMENT NO.: SD-74548-200	TITLE: I-PASS 26CKT ZERO DEG. EMI GUIDE RAIL HOUSING ASSEMBLY, MULTI PORT MOLEX MOLEX INCORPORATED
			SIZE: B THIS DRAWING CONTAINS INFORMATION THAT IS PROPRIETARY TO MOLEX INCORPORATED AND SHOULD NOT BE USED WITHOUT WRITTEN PERMISSION	SHEET NO.: 3 OF 3