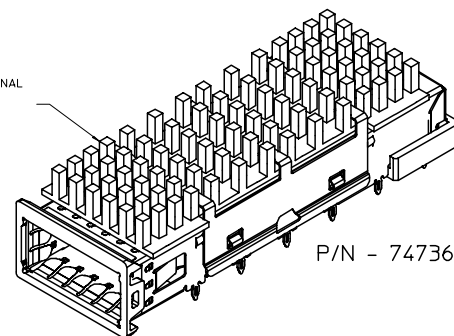
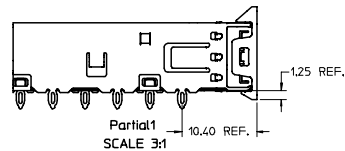
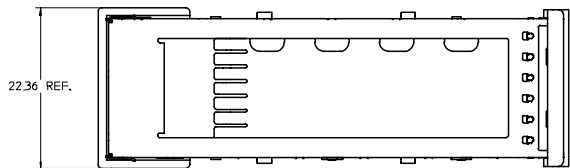


20 19 18 17 16 15 14 13 12 11 74736 9 8 7 6 5 4 3 2 1

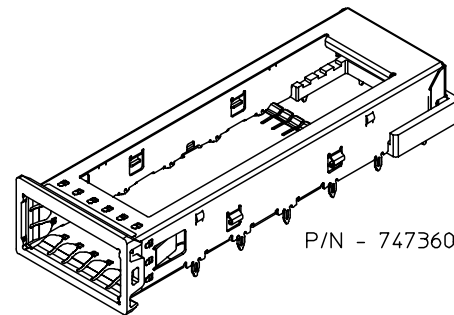
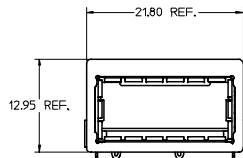
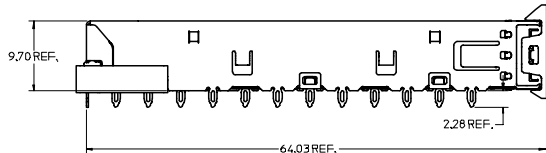
L
K
J
I
H
G
F
E
D
C
B
A

L
K
J
I
H
G
F
E
D
C
B
A

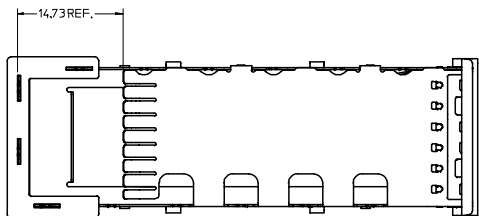


HEATSINK SINK AND CLIP ARE OPTIONAL
SEE CHART FOR HEATSINK OPTIONS
CUSTOM HEATSINKS ARE AVAILABLE

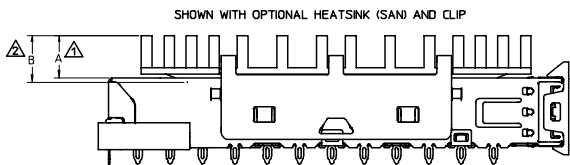
P/N - 747360222



P/N - 747360220



COMPLIANT EMI GASKET



SHOWN WITH OPTIONAL HEATSINK (SAN) AND CLIP

- ▲ MAXIMUM HEIGHT OF HEATSINK WITH MODULE INSERTED
- ▲ OVERALL HEIGHT OF HEATSINK
- 3. OTHER HEATSINK DESIGNS ARE AVAILABLE INCLUDING CUSTOM DESIGNS

PART NUMBER FOR XFP CAGE ASSEMBLY & PARTS

P/N	DIM A	DIM B	DESCRIPTION	POWER LEVEL	THERMAL RESISTANCE @200 LFM
747360220	N/A	N/A	XFP CAGE WITH NO HEATSINK OR CLIP	N/A	N/A
747360221	4.0	4.2	XFP CAGE WITH PCI HEATSINK	UP TO 1.5W	<18.0 C/W
747360222	6.3	6.5	XFP CAGE WITH SAN HEATSINK (SHOWN)	UP TO 2.5W	<11.5 C/W
747360223	13.3	13.5	XFP CAGE WITH TALL HEATSINK	UP TO 3.5W	<8.0 C/W
747360230	N/A	N/A	HEATSINK CLIP ONLY	N/A	N/A
747360240	N/A	N/A	PCI HEATSINK ONLY	UP TO 1.5W	<18.0 C/W
747360241	N/A	N/A	SAN HEATSINK ONLY	UP TO 2.5W	<11.5 C/W
747360242	N/A	N/A	TALL HEATSINK ONLY	UP TO 3.5W	<8.0 C/W

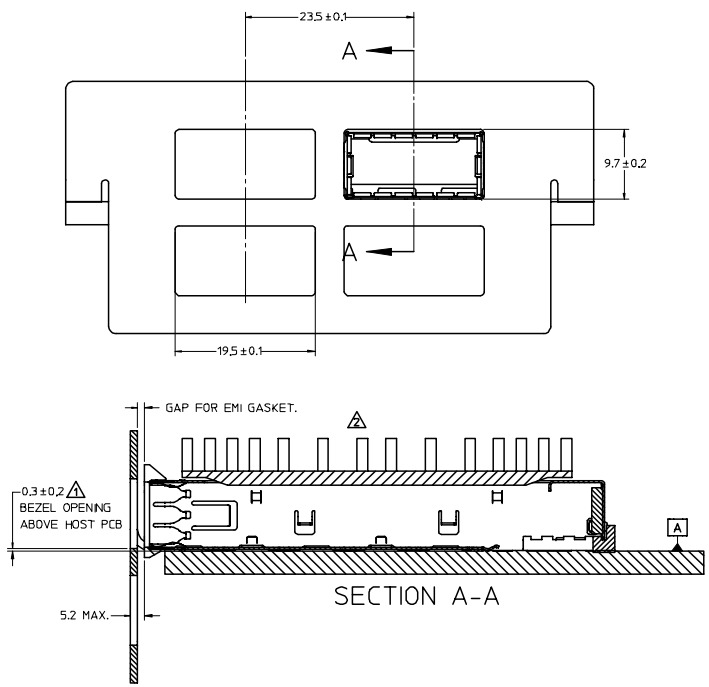
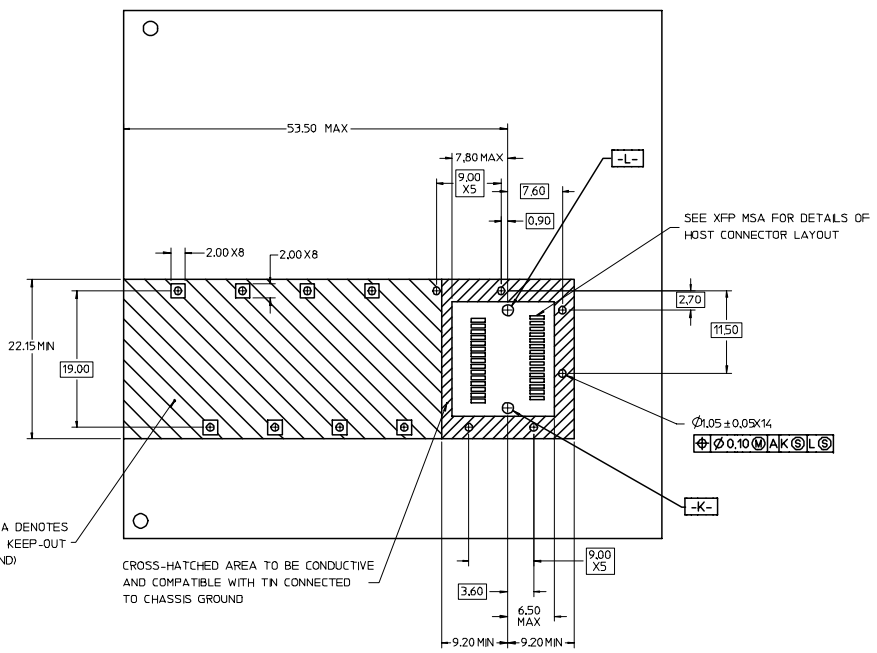
EC NO: 07/02/22 DRW:CCOX CHKD: 07/03/02 APPR:RMAHMOOD07/03/02 DESCRIPTION: XFP CAGE ASSEMBLY	QUALITY SYMBOLS	GENERAL TOLERANCES (UNLESS SPECIFIED)	SCALE 3:1	DESIGN UNITS METRIC	THIRD ANGLE PROJECTION	REVISE ON CAD ONLY	
	0.0 0.0	4 PLACES ± --- ± --- 3 PLACES ± --- ± --- 2 PLACES ± 0.10 ± --- 1 PLACE ± --- ± ---	mm INCH DIMENSION STYLE MM ONLY	DRAWN BY K LLOYD	DATE 2004/05/14	TITLE XFP CAGE ASSEMBLY	
		ANGULAR ± 1 °	DRAFT WHERE APPLICABLE MUST REMAIN WITHIN DIMENSIONS	CHECKED BY BRUSSELL	DATE 2004/08/05	MOLEX INCORPORATED SEE CHART SD-74736-220	
		APPROVED BY BRUSSELL	DATE 2004/08/05	MATERIAL NO. SEE CHART DOCUMENT NO. SD-74736-220	SHEET NO. 1 OF 2	THIS DRAWING CONTAINS INFORMATION THAT IS PROPRIETARY TO MOLEX INCORPORATED AND SHOULD NOT BE USED WITHOUT WRITTEN PERMISSION	

19 18 17 16 15 14 13 12 11 10 9 8 7 6 5 4 3 2 1

20 19 18 17 16 15 14 13 12 11 74736 9 8 7 6 5 4 3 2 1

L
K
J
I
H
G
F
E
D
C
B
A

L
K
J
I
H
G
F
E
D
C
B
A



△ FOR PCI APPLICATIONS RECOMMENDED DIMENSION IS 0.4 ± 0.1
 △ FLAT ROCK TOOLING CAN BE USED TO PRESS CAGE IN WITH OR WITHOUT HEATSINK
 BOTTOM OF PCB SHOULD BE PROPERLY SUPPORTED
 INSERTION FORCE MAX: 100LBS (WITH ANY PCB PLATING)

EC NO: 07/02/22 DRWN: CCOX CHYD: 2007/03/02 APPR: RMAHMOOZ/03/02 REV:	QUALITY SYMBOLS	GENERAL TOLERANCES (UNLESS SPECIFIED)	SCALE 3:1	DESIGN UNITS METRIC	THIRD ANGLE PROJECTION	REVISE ON CAD ONLY
	0.0 0.1	4 PLACES ± --- ± --- 3 PLACES ± --- ± --- 2 PLACES ± 0.10 ± --- 1 PLACE ± --- ± --- ANGULAR ± 1 ° DRAFT WHERE APPLICABLE MUST REMAIN WITHIN DIMENSIONS	mm INCH DIMENSION STYLE MM ONLY DRAWN BY KLOYD DATE 2004/05/14 CHECKED BY BRUSSELL DATE 2004/08/05 APPROVED BY BRUSSELL DATE 2004/08/05	TITLE XFP CAGE ASSEMBLY	MOLEX INCORPORATED SEE CHART SD-74736-220 THIS DRAWING CONTAINS INFORMATION THAT IS PROPRIETARY TO MOLEX INCORPORATED AND SHOULD NOT BE USED WITHOUT WRITTEN PERMISSION	
		MATERIAL NO.		DOCUMENT NO.	SHEET NO. 2 OF 2	

19 18 17 16 15 14 13 12 11 10 9 8 7 6 5 4 3 2 1