

MATERIAL NUMBER	# OF COLUMNS	DIM 'A' MAX	DIM 'B'
75710-***5	5	25.90	14.80
75710-***6	6	29.60	18.50
75710-***8	8	37.00	25.90
75710-***0	10	44.40	33.30

75710-***

MODULE TYPE -- TAIL PLATING TYPE

GUIDE LEFT -- TIN/LEAD = 2

GUIDE LEFT -- TIN ONLY = 3

POLARIZATION KEY ORIENTATION

0 = NO KEY

1 = A 5 = E

2 = B 6 = F

3 = C 7 = G

4 = D 8 = H

OF COLUMNS

05 = 5 COL

06 = 6 COL

08 = 8 COL

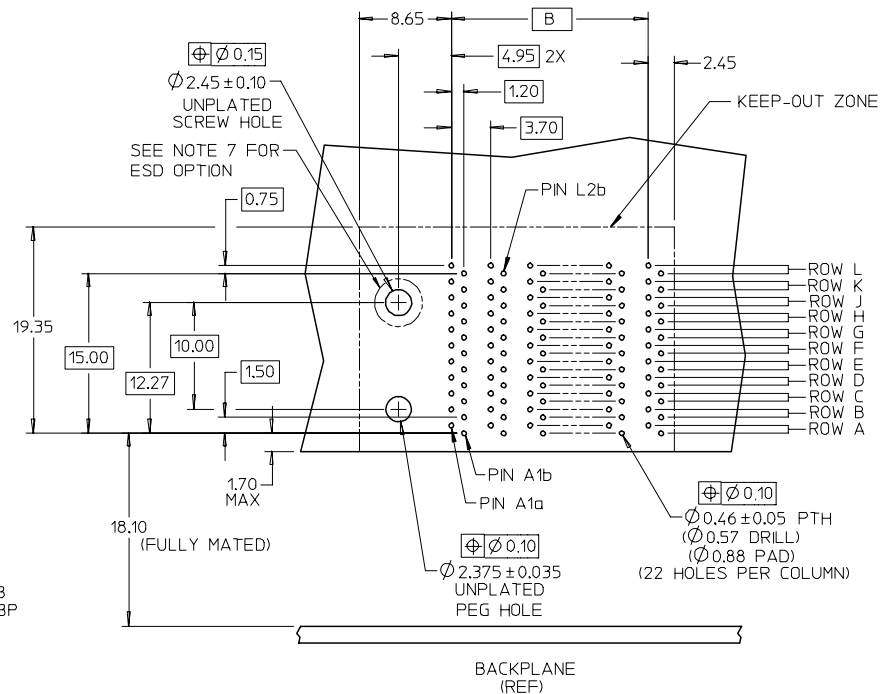
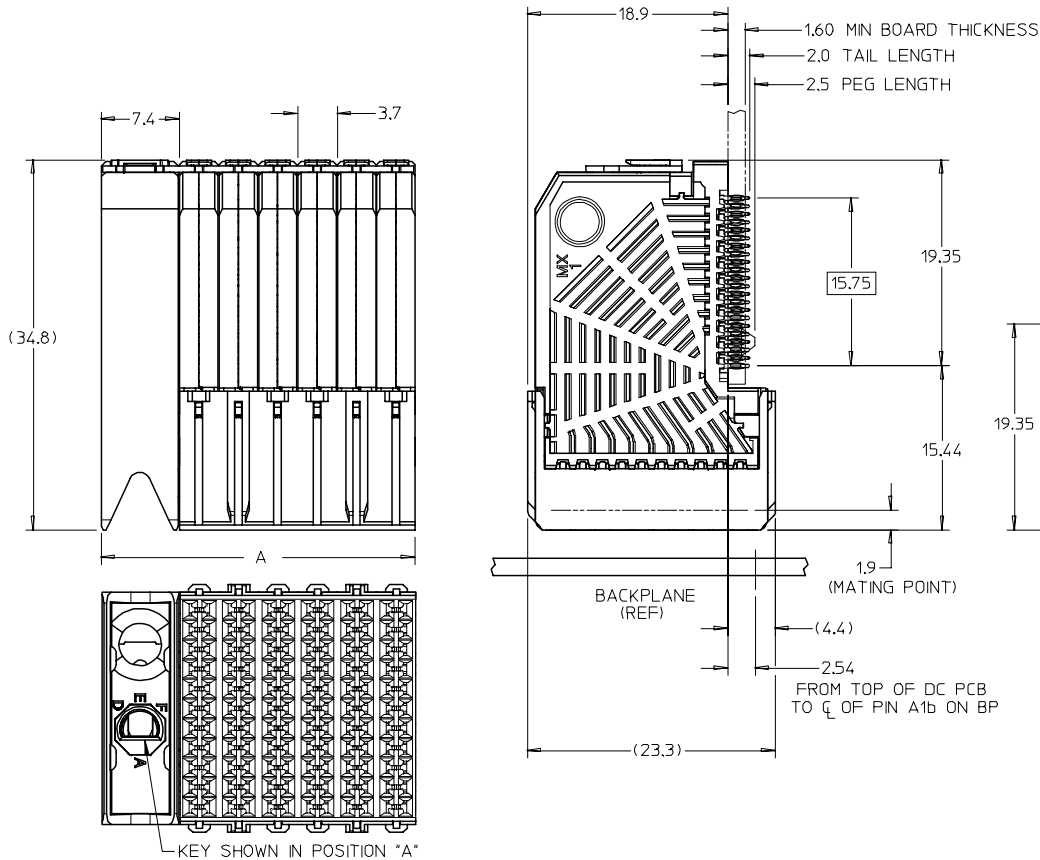
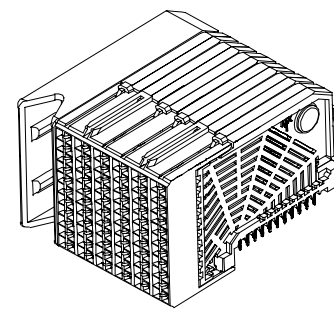
10 = 10 COL

55 = 5 COL W/ESD

56 = 6 COL W/ESD

58 = 8 COL W/ESD

50 = 10 COL W/ESD



DAUGHTERCARD HOLE PATTERN
(CONNECTOR SIDE)

NOTES:

1. MATERIALS: HOUSING - LIQUID CRYSTAL POLYMER (LCP) GLASS-FILLED, UL94V-0
TERMINALS - HIGH PERFORMANCE COPPER ALLOY
OR SELECTIVE TIN (-3***) ON PCB TAILS, NICKEL OVERALL.
2. FINISH: 30µIN MIN GOLD IN CONTACT AREA, SELECTIVE TIN/LEAD (-2***)
OR SELECTIVE TIN (-3***) ON PCB TAILS, NICKEL OVERALL.
3. REFER TO MOLEX PRODUCT SPECIFICATION PS-75710-999 FOR PERFORMANCE SPECS.
4. PRODUCT IS PACKAGED PER PK-70873-609.
5. THIS PART CONFORMS TO CLASS B REQUIREMENTS OF COSMETIC SPEC PS-45499-002.
6. GUIDED PARTS TO BE SHIPPED WITH 2-32 TYPE AB
SELF-TAPPING SCREW P/N 73726-0000.
7. FOR GROUNDED GUIDE MODULES USE DIA 2.45±0.10 (PTH), DIA 2.58 (DRILL),
AND DIA 4.50 (PAD).

ADD ESD OPTION FC NO: UICP2007-2348 DRAWN: BP/ISZCZOR 2007/03/19 CHKD: 2007/03/19 APPR: JLAURX 2007/03/19 REV: DESCRIPTION	QUALITY SYMBOLS =0 =0	GENERAL TOLERANCES (UNLESS SPECIFIED)	DIMENSION STYLE MM ONLY	SCALE 3:1	DESIGN UNITS METRIC	THIRD ANGLE PROJECTION
	4 PLACES ± --- ± --- 3 PLACES ± --- ± --- 2 PLACES ± 0.13 ± --- 1 PLACE ± 0.25 ± --- ANGULAR ± 1/2°	m INCH	DRAWN BY JLAURX	DATE 2007/03/06	TITLE I-TRAC DAUGHTERCARD 11 ROW SIGNAL MODULE GUIDE LEFT SALES DWG	MATERIAL NO. SD-75710-002
DRAFT WHERE APPLICABLE MUST REMAIN WITHIN DIMENSIONS		SEE CHART		MATERIAL NO. SD-75710-002		
THIS DRAWING CONTAINS INFORMATION THAT IS PROPRIETARY TO MOLEX INCORPORATED AND SHOULD NOT BE USED WITHOUT WRITTEN PERMISSION						