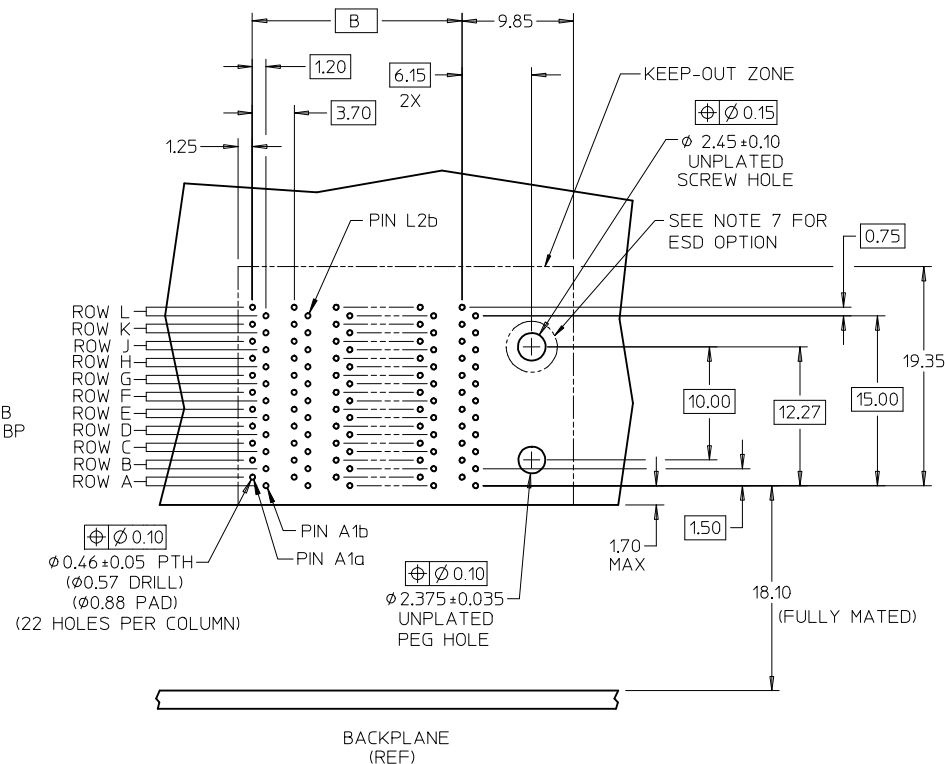
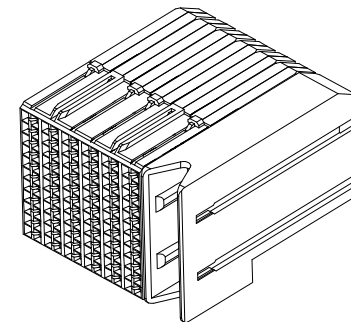
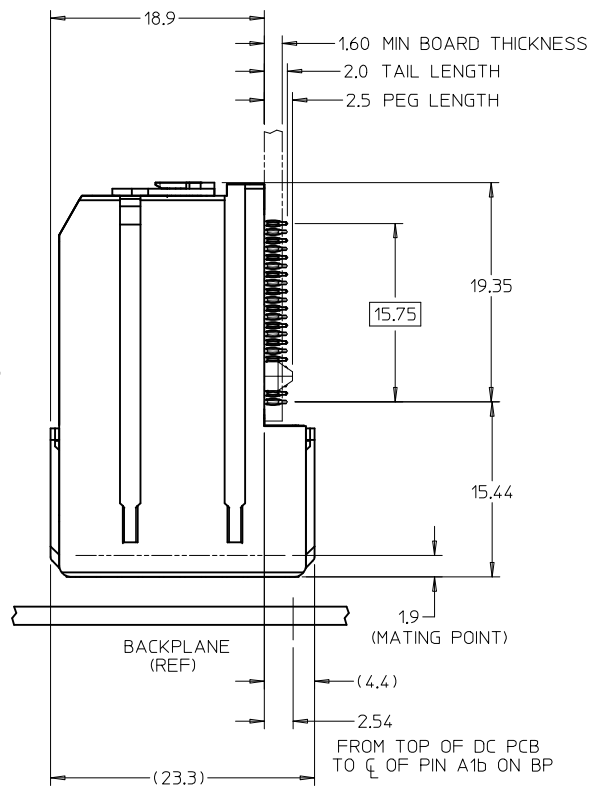


KEY SHOWN IN POSITION "B"



DAUGHTERCARD HOLE PATTERN
(CONNECTOR SIDE)

NOTES:

1. MATERIALS: HOUSING - LIQUID CRYSTAL POLYMER (LCP) GLASS-FILLED, UL94V-0
TERMINALS - HIGH PERFORMANCE COPPER ALLOY
2. FINISH: 30 MICROINCH MIN GOLD IN CONTACT AREA. SELECTIVE TIN/LEAD (-4***)
OR SELECTIVE MATTE TIN (-5***) ON PCB TAILS. NICKEL OVERALL.
10 MICROINCH MIN GOLD IN CONTACT AREA. SELECTIVE MATTE TIN (-5***)
ON PCB TAILS. NICKEL OVERALL.
3. REFER TO MOLEX PRODUCT SPECIFICATION PS-75710-999 FOR PERFORMANCE SPECS.
4. PRODUCT IS PACKAGED PER PK-70873-609.
5. THIS PART CONFORMS TO CLASS B REQUIREMENTS OF COSMETIC SPEC PS-45499-002.
6. GUIDED PARTS TO BE SHIPPED WITH 2-32 TYPE AB
SELF-TAPPING SCREW P/N 73726-0000.
7. FOR GROUNDED GUIDE MODULES USE DIA 2.45+/-0.10 (PTH), DIA 2.58 (DRILL),
AND DIA 4.50 (PAD).
8. MAPS (MOLEX ADVANCED PLATING SYSTEM)

ADD MAPS PLATING EC NO: UCP2013-0762 DRWN: MWOLFE 2012/08/22 CHYD: TIBARRA 2012/08/22 APPR: SMILLER 2012/08/28	QUALITY SYMBOLS ▽=0 ▽=0 ▽=0	GENERAL TOLERANCES (UNLESS SPECIFIED)		DIMENSION STYLE MM ONLY		SCALE 3:1	DESIGN UNITS METRIC	THIRD ANGLE PROJECTION		
		mm	INCH	DRAWN BY JLAURX	DATE 2/17/05	I-TRAC DAUGHTERCARD 11 ROW SIGNAL MODULE GUIDE RIGHT SALES DWG molex DOCUMENT NO. SD-75710-004 SHEET NO. 1 OF 2				
		4 PLACES ± ---	± ---	CHECKED BY NMARTIN	DATE 2/17/05					
		3 PLACES ± ---	± ---	APPROVED BY CBIXLER	DATE 2/17/05	THIS DRAWING CONTAINS INFORMATION THAT IS PROPRIETARY TO MOLEX INCORPORATED AND SHOULD NOT BE USED WITHOUT WRITTEN PERMISSION				
2 PLACES ± 0.13	± ---	MATERIAL NO.								
1 PLACE ± 0.25	± ---	SEE TABLE								
0 PLACE ±	±	ANGULAR ±1/2°		DRAFT WHERE APPLICABLE MUST REMAIN WITHIN DIMENSIONS						

75710-****

MODULE TYPE -- TAIL PLATING TYPE

GUIDE RIGHT -- TIN/LEAD = 4

GUIDE RIGHT -- MATTE TIN = 5

POLARIZATION KEY ORIENTATION

0 = NO KEY

1 = A 5 = E

2 = B 6 = F

3 = C 7 = G

4 = D 8 = H

OF COLUMNS

05 & 25 = 5 COL

06 & 26 = 6 COL

08 & 28 = 8 COL

10 & 20 = 10 COL

55 & 65 = 5 COL W/ESD

56 & 66 = 6 COL W/ESD

58 & 68 = 8 COL W/ESD

50 & 60 = 10 COL W/ESD

MATERIAL NUMBER	# OF COLUMNS	DIM "A" MAX	DIM "B"	GOLD THICKNESS MICROMETERS	
75710-**05	5	25.90	14.80	0.76	WITHOUT ESD CLIP
75710-**06	6	29.60	18.50		
75710-**08	8	37.00	25.90		
75710-**10	10	44.40	33.30		
75710-**55	5	25.90	14.80		
75710-**56	6	29.60	18.50	0.25 (MAPS)	WITH ESD CLIP
75710-**58	8	37.00	25.90		
75710-**50	10	44.40	33.30		
75710-5*25	5	25.90	14.80		
75710-5*26	6	29.60	18.50		
75710-5*28	8	37.00	25.90	0.25 (MAPS)	WITHOUT ESD CLIP
75710-5*20	10	44.40	33.30		
75710-5*65	5	25.90	14.80		
75710-5*66	6	29.60	18.50		
75710-5*68	8	37.00	25.90		
75710-5*60	10	44.40	33.30	0.25 (MAPS)	WITH ESD CLIP

SEE SHEET 1 EC NO: UCP2013-0762 DRWN:WOLFE 2012/08/22 CHKD:TIBARA 2012/08/22 APPR:SMILLER 2012/08/28	QUALITY SYMBOLS ▽=0 ▽=0 ▽=0	GENERAL TOLERANCES (UNLESS SPECIFIED) <table border="1"> <tr> <th></th> <th>mm</th> <th>INCH</th> </tr> <tr> <td>4 PLACES</td> <td>± .005</td> <td>± .0004</td> </tr> <tr> <td>3 PLACES</td> <td>± .005</td> <td>± .0004</td> </tr> <tr> <td>2 PLACES</td> <td>± 0.13</td> <td>± .005</td> </tr> <tr> <td>1 PLACE</td> <td>± 0.25</td> <td>± .010</td> </tr> <tr> <td>0 PLACE</td> <td>±</td> <td>±</td> </tr> </table>		mm	INCH	4 PLACES	± .005	± .0004	3 PLACES	± .005	± .0004	2 PLACES	± 0.13	± .005	1 PLACE	± 0.25	± .010	0 PLACE	±	±	DIMENSION STYLE MM ONLY DRAWN BY DATE JL AURX 2/17/05 CHECKED BY DATE N MARTIN 2/17/05 APPROVED BY DATE C B I XLER 2/17/05	SCALE 1:1 DESIGN UNITS METRIC	THIRD ANGLE PROJECTION
		mm	INCH																				
	4 PLACES	± .005	± .0004																				
	3 PLACES	± .005	± .0004																				
2 PLACES	± 0.13	± .005																					
1 PLACE	± 0.25	± .010																					
0 PLACE	±	±																					
DRAFT WHERE APPLICABLE MUST REMAIN WITHIN DIMENSIONS		ANGULAR ±1/2°	MATERIAL NO. SEE TABLE	DOCUMENT NO. SD-75710-004	SHEET NO. 2 OF 2																		
THIS DRAWING CONTAINS INFORMATION THAT IS PROPRIETARY TO MOLEX INCORPORATED AND SHOULD NOT BE USED WITHOUT WRITTEN PERMISSION																							

I-TRAC DAUGHTERCARD
11 ROW SIGNAL MODULE
GUIDE RIGHT SALES DWG

molex