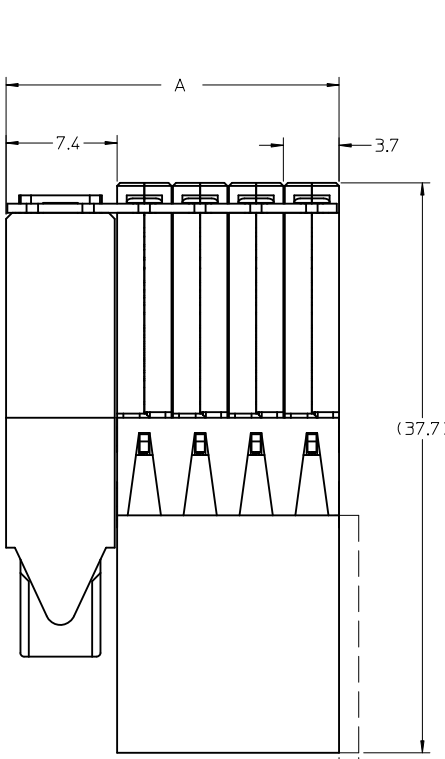
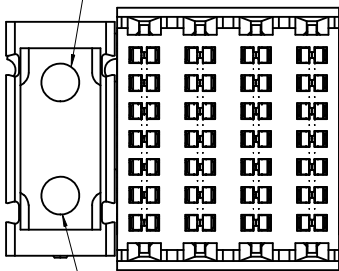


PART NUMBER	# OF COLUMNS	DIM "A" MAX	DIM "B"
76011 - *6**	6	29.60	18.50
76011 - *1**	10	44.40	33.30

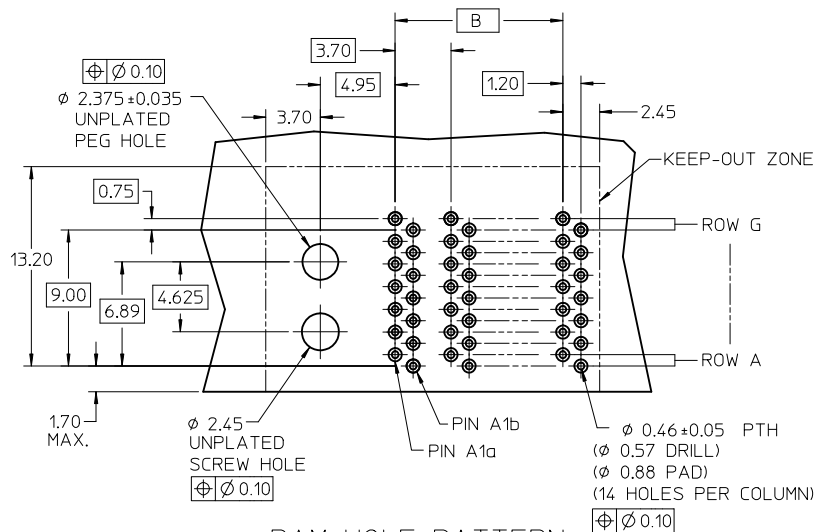
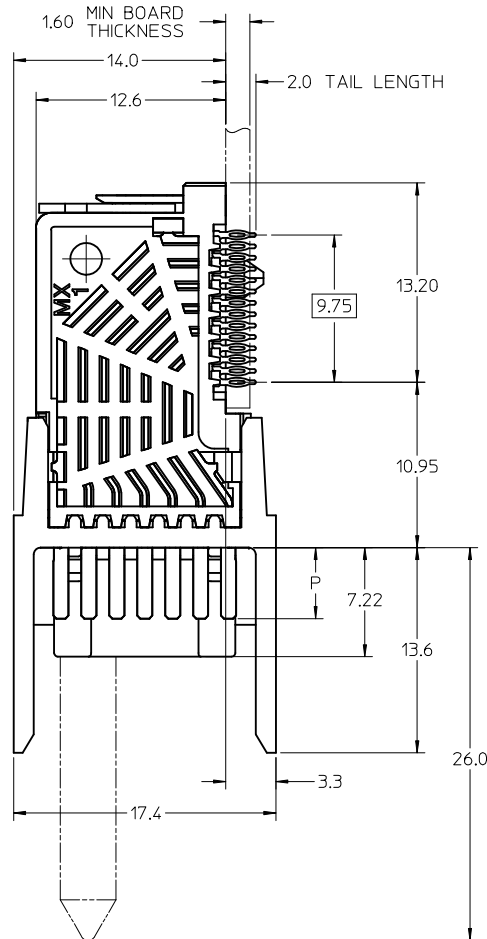


ADDITIONAL SPACE REQUIRED FOR END WALL VERSION

LOCATION OF GUIDE PIN FOR STANDARD COPLANAR



LOCATION OF GUIDE PIN FOR INVERTED APPLICATION



RAM HOLE PATTERN (CONNECTOR SIDE)

SEE NOTE 4.

- NOTES:
- MATERIALS: HOUSING - LIQUID CRYSTAL POLYMER (LCP), BLACK, UL 94V-0 TERMINALS - HIGH PERFORMANCE COPPER ALLOY
  - FINISH: SELECTIVE 30 μ \* GOLD IN CONTACT AREA WITH LUBE. SELECTIVE TIN/LEAD (-2\*\*\*, -6\*\*) OR SELECTIVE TIN (-3\*\*\*, 7\*\*) ON PCB TAILS. NICKEL UNDERPLATE OVERALL.
  - MOLEX PRODUCT SPECIFICATION: PS-75710-999.
  - OPTIONAL GUIDE PIN SHOWN IN COPLANAR LOCATION.
  - THIS PART CONFORMS TO CLASS B REQUIREMENTS OF COSMETIC SPEC PS-45499-002.
  - PACKAGED PER PK-70873-588.

CORRECT GENERAL TOLS EC NO: UCP2011-4132 DRW:NDVAVARA 2011/06/28 CHKD:TELO 2011/06/28 APPR:JLAURX 2011/08/26 REV: D1	QUALITY SYMBOLS ▽=0 ▽=0	GENERAL TOLERANCES (UNLESS SPECIFIED) <table border="1"> <thead> <tr> <th></th> <th>mm</th> <th>INCH</th> </tr> </thead> <tbody> <tr> <td>4 PLACES ±</td> <td>---</td> <td>---</td> </tr> <tr> <td>3 PLACES ±</td> <td>---</td> <td>---</td> </tr> <tr> <td>2 PLACES ±</td> <td>0.13</td> <td>---</td> </tr> <tr> <td>1 PLACE ±</td> <td>0.25</td> <td>---</td> </tr> <tr> <td>ANGULAR ±</td> <td>---</td> <td>°</td> </tr> </tbody> </table>		mm	INCH	4 PLACES ±	---	---	3 PLACES ±	---	---	2 PLACES ±	0.13	---	1 PLACE ±	0.25	---	ANGULAR ±	---	°	DIMENSION STYLE MM ONLY DRAWN BY DATE ELO 2006/05/04 CHECKED BY DATE ELO 2007/02/02 APPROVED BY DATE CB1XLER 2007/02/05	SCALE 4:1 DESIGN UNITS METRIC THIRD ANGLE PROJECTION	TITLE I-TRAC 7-ROW RIGHT ANGLE MALE GUIDE LEFT ASSEMBLY
		mm	INCH																				
	4 PLACES ±	---	---																				
	3 PLACES ±	---	---																				
2 PLACES ±	0.13	---																					
1 PLACE ±	0.25	---																					
ANGULAR ±	---	°																					
DRAFT WHERE APPLICABLE MUST REMAIN WITHIN DIMENSIONS		MATERIAL NO. SEE SHEET 2	DOCUMENT NO. SD-76011-002	SHEET NO. 1 OF 3	MOLEX INCORPORATED																		
THIS DRAWING CONTAINS INFORMATION THAT IS PROPRIETARY TO MOLEX INCORPORATED AND SHOULD NOT BE USED WITHOUT WRITTEN PERMISSION																							

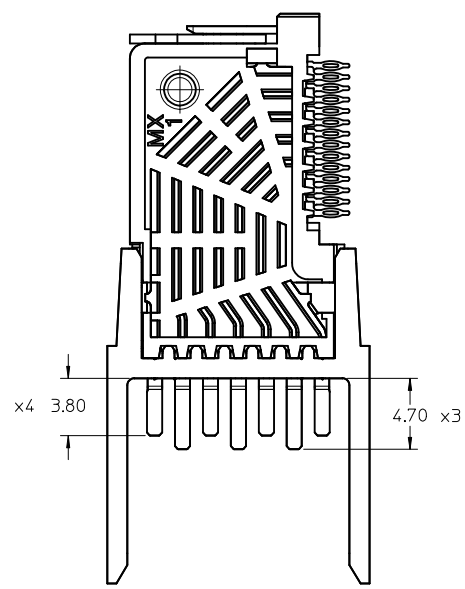
7 6 0 1 1 - \* \* \* \*

MODULE TYPE - TAIL PLATING TYPE  
 LEFT GUIDED - TIN/LEAD = 2  
 LEFT GUIDED - TIN ONLY = 3  
 GUIDE LEFT, END WALL - TIN/LEAD = 6  
 GUIDE LEFT, END WALL - TIN ONLY = 7

# OF COLUMNS  
 6 = 6 COL  
 1 = 10 COL

PIN LENGTH (P)  
 3 = 4.70  
 5 = 3.80, 4.70 STAGGERED

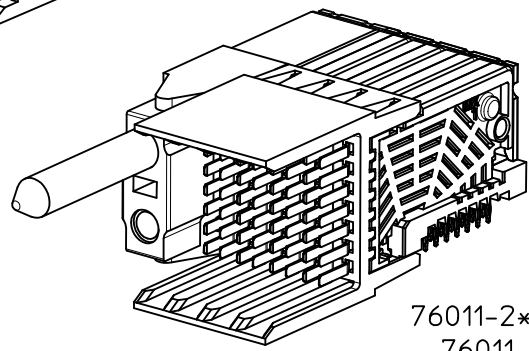
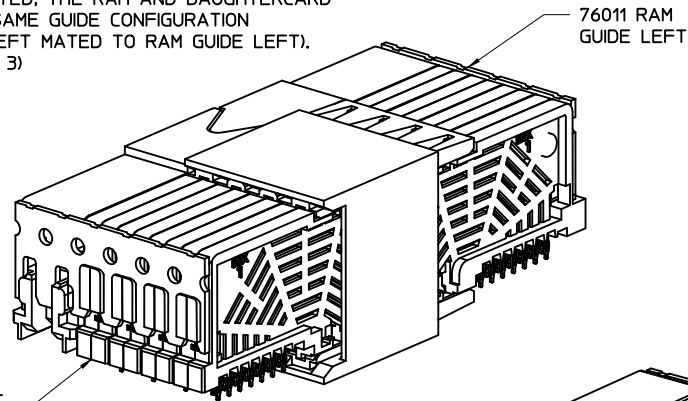
ORIENTATION OF GUIDE POST  
 2 = COPLANAR  
 3 = INVERTED



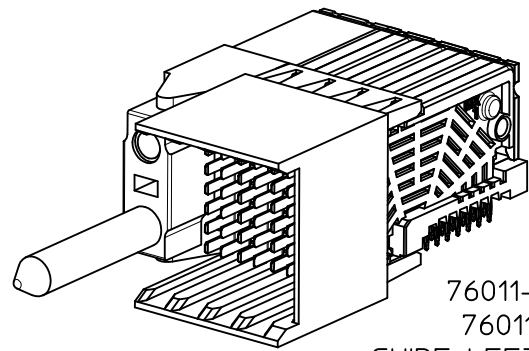
STAGGERED PIN OPTION (76011-\*\*\*5)

NOTE:

WHEN MATING RIGHT ANGLE MALE (RAM) TO A DAUGHTERCARD IN A COPLANAR APPLICATION, THE GUIDE CONFIGURATION IS OPPOSING (DC GUIDE RIGHT MATED TO RAM GUIDE LEFT). WHEN INVERTED, THE RAM AND DAUGHTERCARD HAVE THE SAME GUIDE CONFIGURATION (DC GUIDE LEFT MATED TO RAM GUIDE LEFT). (SEE SHEET 3)



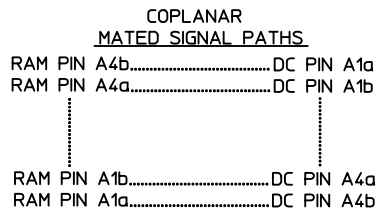
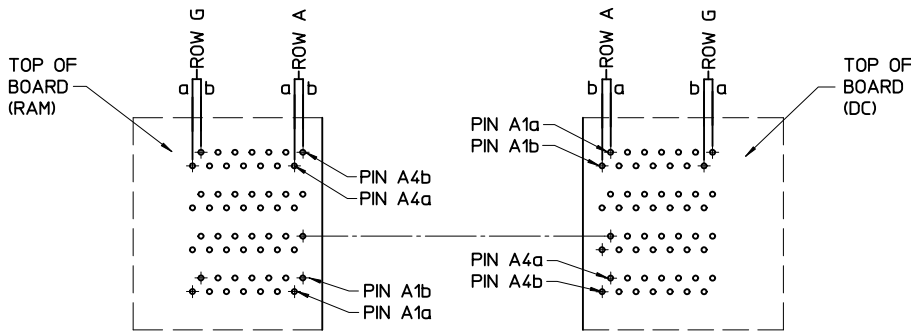
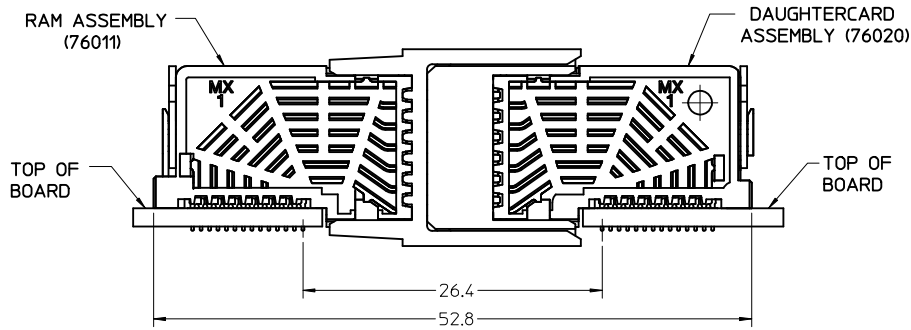
76011-2\*2\* or 76011-3\*2\* GUIDE LEFT, COPLANAR



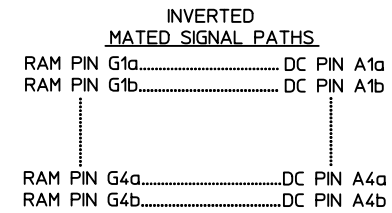
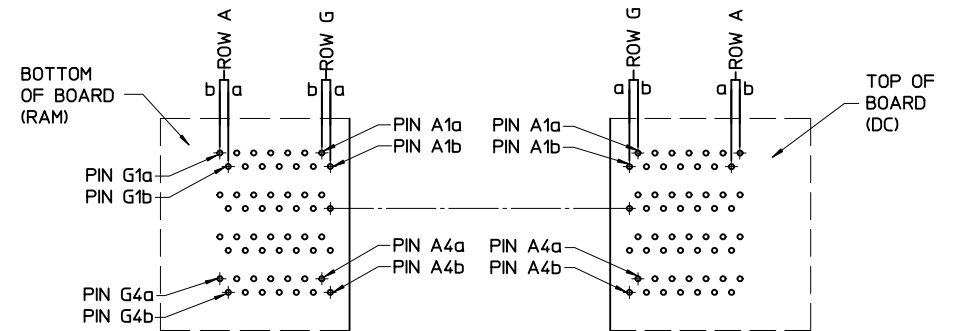
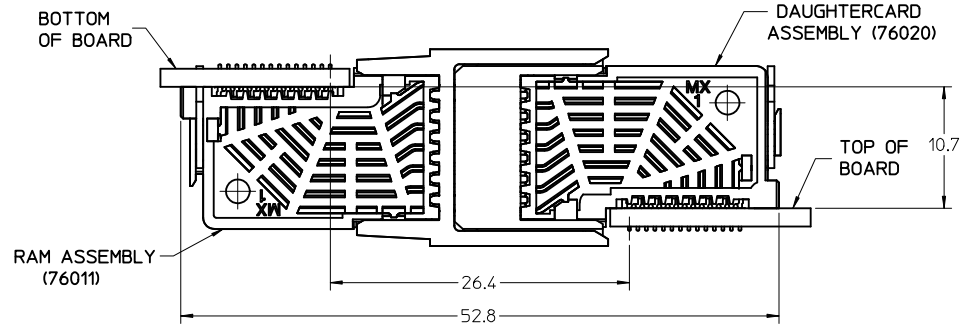
76011-6\*3\* or 76011-7\*3\* GUIDE LEFT, END WALL, INVERTED

REM OPT 76011-***6 EC NO: UCP2011-4132 DRWNG:VARVARA 2011/06/28 CHKD:TELO 2011/06/28 APPR:JLAURX 2011/08/26	QUALITY SYMBOLS	GENERAL TOLERANCES (UNLESS SPECIFIED) <table border="1"> <tr> <th></th> <th>mm</th> <th>INCH</th> </tr> <tr> <td>4 PLACES</td> <td>± ---</td> <td>± ---</td> </tr> <tr> <td>3 PLACES</td> <td>± ---</td> <td>± ---</td> </tr> <tr> <td>2 PLACES</td> <td>± 0.13</td> <td>± ---</td> </tr> <tr> <td>1 PLACE</td> <td>± 0.25</td> <td>± ---</td> </tr> <tr> <td colspan="3">ANGULAR ± ---°</td> </tr> </table>		mm	INCH	4 PLACES	± ---	± ---	3 PLACES	± ---	± ---	2 PLACES	± 0.13	± ---	1 PLACE	± 0.25	± ---	ANGULAR ± ---°			DIMENSION STYLE MM ONLY	SCALE 3:1	DESIGN UNITS METRIC	THIRD ANGLE PROJECTION
			mm	INCH																				
	4 PLACES	± ---	± ---																					
	3 PLACES	± ---	± ---																					
2 PLACES	± 0.13	± ---																						
1 PLACE	± 0.25	± ---																						
ANGULAR ± ---°																								
DESCRIPTION	DRAWN BY ELO	DATE 2006/05/04	TITLE I-TRAC 7-ROW RIGHT ANGLE MALE GUIDE LEFT ASSEMBLY																					
REV	CHECKED BY ELO	DATE 2007/02/02	APPROVED BY CBIXLER																					
D1	MATERIAL NO. SEE CHART		DOCUMENT NO. SD-76011-002		SHEET NO. 2 OF 3																			

# COPLANAR APPLICATION



# INVERTED APPLICATION



<b>SEE SHEET 1</b> EC NO: UCP2011-4132 DRW: DVARVARA 2011/06/28 CHKD: TELO 2011/06/28 APPR: JLAURX 2011/08/26 REV: D1	QUALITY SYMBOLS ▽=0 ▽=0	GENERAL TOLERANCES (UNLESS SPECIFIED) <table border="1"> <tr> <th></th> <th>mm</th> <th>INCH</th> </tr> <tr> <td>4 PLACES</td> <td>± ---</td> <td>± ---</td> </tr> <tr> <td>3 PLACES</td> <td>± ---</td> <td>± ---</td> </tr> <tr> <td>2 PLACES</td> <td>± 0.13</td> <td>± ---</td> </tr> <tr> <td>1 PLACE</td> <td>± 0.25</td> <td>± ---</td> </tr> <tr> <td colspan="3">ANGULAR ± ---°</td> </tr> </table>		mm	INCH	4 PLACES	± ---	± ---	3 PLACES	± ---	± ---	2 PLACES	± 0.13	± ---	1 PLACE	± 0.25	± ---	ANGULAR ± ---°			DIMENSION STYLE <b>MM ONLY</b> DRAWN BY DATE ELO 2006/05/04 CHECKED BY DATE ELO 2007/02/02 APPROVED BY DATE CB1XLER 2007/02/05	SCALE <b>2:1</b> TITLE <b>I-TRAC 7-ROW RIGHT ANGLE MALE GUIDE LEFT ASSEMBLY</b>	DESIGN UNITS <b>METRIC</b>	THIRD ANGLE PROJECTION
		mm	INCH																					
	4 PLACES	± ---	± ---																					
	3 PLACES	± ---	± ---																					
2 PLACES	± 0.13	± ---																						
1 PLACE	± 0.25	± ---																						
ANGULAR ± ---°																								
DRAFT WHERE APPLICABLE MUST REMAIN WITHIN DIMENSIONS		<b>SEE SHEET 2</b>		<b>MOLEX INCORPORATED</b>		SHEET NO. <b>3 OF 3</b>																		
		MATERIAL NO.		DOCUMENT NO. <b>SD-76011-002</b>																				
THIS DRAWING CONTAINS INFORMATION THAT IS PROPRIETARY TO MOLEX INCORPORATED AND SHOULD NOT BE USED WITHOUT WRITTEN PERMISSION																								