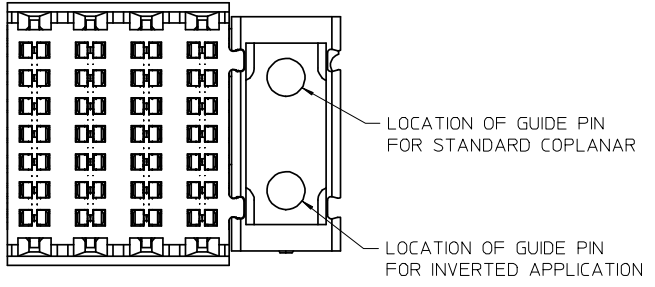


PART NUMBER	# OF COLUMNS	DIM 'A' MAX	DIM 'B'
76011 - *6**	6	29.60	18.50
76011 - *1**	10	44.40	33.30

RAM HOLE PATTERN (CONNECTOR SIDE)

- NOTES:
1. MATERIALS: HOUSING - LIQUID CRYSTAL POLYMER (LCP), BLACK, UL 94V-0
TERMINALS - HIGH PERFORMANCE COPPER ALLOY
 2. FINISH: SELECTIVE 30 μ * GOLD IN CONTACT AREA WITH LUBE.
SELECTIVE TIN/LEAD (-4***, -8***), OR SELECTIVE TIN (-5***, -9***)
ON PCB TAILS. NICKEL UNDERPLATE OVERALL.
 3. MOLEX PRODUCT SPECIFICATION: PS-75710-999.
 4. OPTIONAL GUIDE PIN SHOWN IN COPLANAR LOCATION.
 5. THIS PART CONFORMS TO CLASS B REQUIREMENTS OF COSMETIC SPEC PS-45499-002.
 6. PACKAGED PER PK-70873-588.



REV	DESCRIPTION	QUALITY SYMBOLS
1	CLARIFY ST GRD	▽=0
2	EC NO: UCP2008-2982	▽=0
3	DRW:NCSTEWART 2008/06/11	
4	CHKD:TELO 2008/06/11	
5	APPR:JBINGHAM 2008/06/11	

GENERAL TOLERANCES (UNLESS SPECIFIED)	
mm	INCH
4 PLACES ± ---	± ---
3 PLACES ± ---	± ---
2 PLACES ± 0.13	± ---
1 PLACE ± 0.25	± ---
ANGULAR ± ---°	

DIMENSION STYLE	
MM ONLY	
DRAWN BY	DATE
ELO	2006/05/03
CHECKED BY	DATE
JLAURX	2006/05/04
APPROVED BY	DATE
CBIXLER	2006/05/05

SCALE	DESIGN UNITS	THIRD ANGLE PROJECTION
4:1	METRIC	☉
TITLE		
I-TRAC 7-ROW RIGHT ANGLE MALE GUIDE RIGHT ASSEMBLY		
MOLEX INCORPORATED		
MATERIAL NO.	DOCUMENT NO.	SHEET NO.
SEE SHEET 2	SD-76011-003	1 OF 3
SIZE THIS DRAWING CONTAINS INFORMATION THAT IS PROPRIETARY TO MOLEX INCORPORATED AND SHOULD NOT BE USED WITHOUT WRITTEN PERMISSION		

7 6 0 1 1 - * * * *

MODULE TYPE - TAIL PLATING TYPE
 RIGHT GUIDED - TIN/LEAD = 4
 RIGHT GUIDED - TIN ONLY = 5
 GUIDE RIGHT, END WALL - TIN/LEAD = 8
 GUIDE RIGHT, END WALL - TIN ONLY = 9

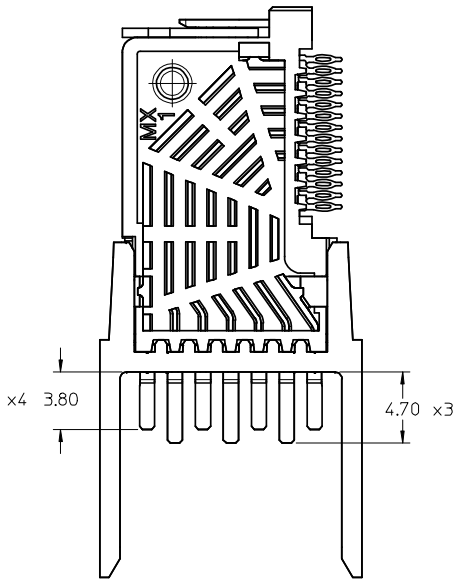
OF COLUMNS
 6 = 6 COL
 1 = 10 COL

PIN LENGTH (P)
 3 = 4.70
 5 = 3.80, 4.70 STAGGERED

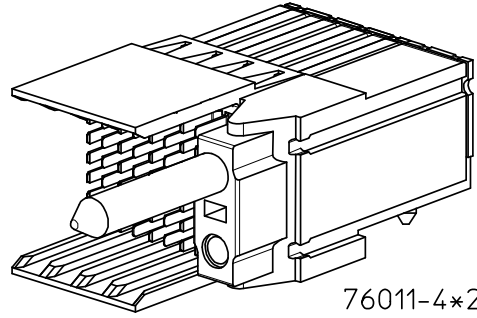
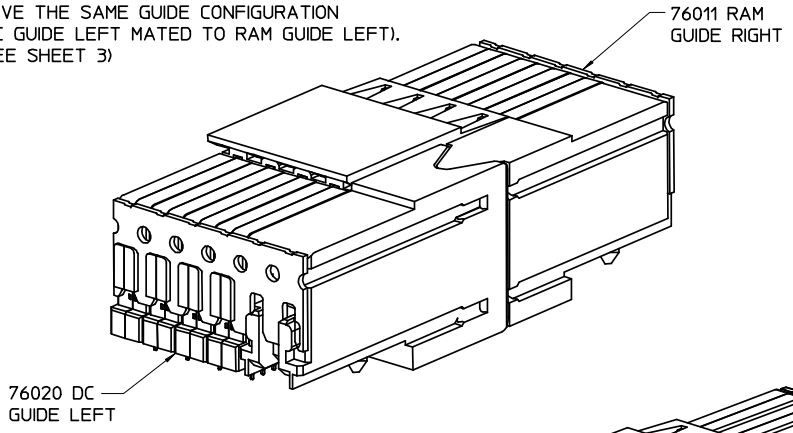
ORIENTATION
 GUIDE POST
 2 = COPLANAR
 3 = INVERTED

NOTE:

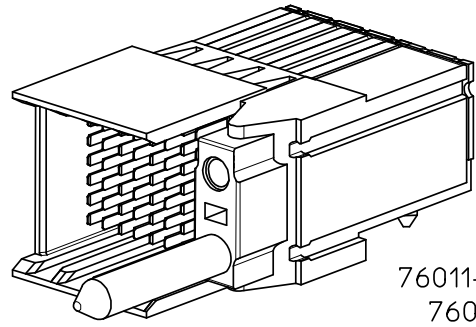
WHEN MATING RIGHT ANGLE MALE (RAM)
 TO A DAUGHTERCARD IN A COPLANAR APPLICATION,
 THE GUIDE CONFIGURATION IS OPPOSING
 (DC GUIDE LEFT MATED TO RAM GUIDE RIGHT).
 WHEN INVERTED, THE RAM AND DAUGHTERCARD
 HAVE THE SAME GUIDE CONFIGURATION
 (DC GUIDE LEFT MATED TO RAM GUIDE LEFT).
 (SEE SHEET 3)



STAGGERED PIN OPTION
 (76011-***5)



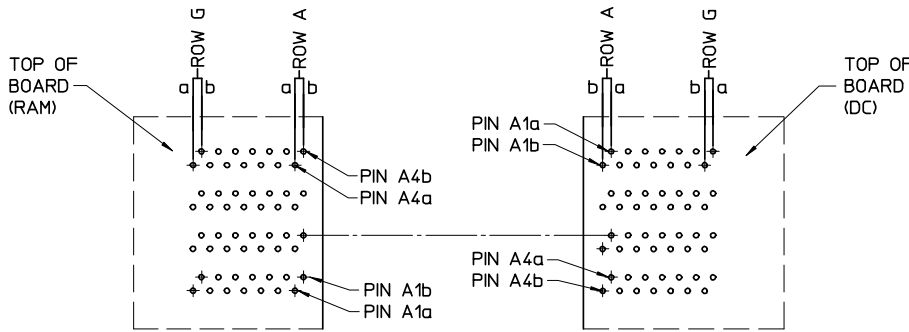
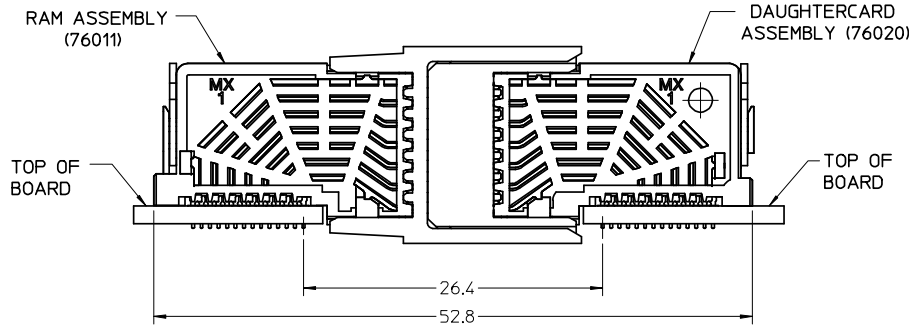
76011-4*2* or
 76011-5*2*
 GUIDE RIGHT, COPLANAR



76011-8*3* or
 76011-9*3*
 GUIDE RIGHT, END WALL,
 INVERTED

REM OPT 76011-***6 EC NO: UCP2008-2982 DRW: C STEWART 2008/06/11 CHKD: TELO 2008/06/11 APPR: B INGHAM 2008/06/11	QUALITY SYMBOLS ▽=0 ▽=0	GENERAL TOLERANCES (UNLESS SPECIFIED)		DIMENSION STYLE MM ONLY		SCALE 3:1	DESIGN UNITS METRIC	THIRD ANGLE PROJECTION		
		4 PLACES ± --- ± --- 3 PLACES ± --- ± --- 2 PLACES ± 0.13 ± --- 1 PLACE ± 0.25 ± ---		DRAWN BY DATE ELO 2006/05/03		TITLE I-TRAC 7-ROW RIGHT ANGLE MALE GUIDE RIGHT ASSEMBLY		MOLEX INCORPORATED		
		ANGULAR ± ---°		CHECKED BY DATE JLAURX 2006/05/04		APPROVED BY DATE CBIXLER 2006/05/05				
		DRAFT WHERE APPLICABLE MUST REMAIN WITHIN DIMENSIONS		SEE CHART		MATERIAL NO. SD-76011-003		SHEET NO. 2 OF 3		

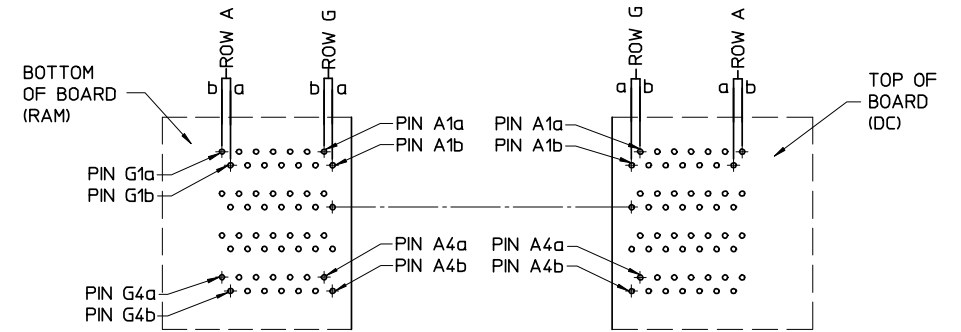
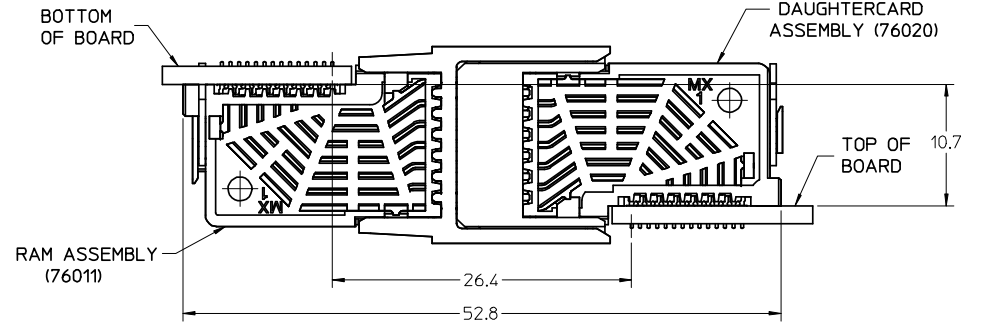
COPLANAR APPLICATION



**COPLANAR
MATED SIGNAL PATHS**

RAM PIN A4b.....	DC PIN A1a
RAM PIN A4a.....	DC PIN A1b
.....	
RAM PIN A1b.....	DC PIN A4a
RAM PIN A1a.....	DC PIN A4b

INVERTED APPLICATION



**INVERTED
MATED SIGNAL PATHS**

RAM PIN G1a.....	DC PIN A1a
RAM PIN G1b.....	DC PIN A1b
.....	
RAM PIN G4a.....	DC PIN A4a
RAM PIN G4b.....	DC PIN A4b

SEE SHEET 1 EC NO: UCP2008-2982 DRW: C STEWART 2008/06/11 CHKD: TELO 2008/06/11 APPR: B INGHAM 2008/06/11	REV	DESCRIPTION	QUALITY SYMBOLS	GENERAL TOLERANCES (UNLESS SPECIFIED)	DIMENSION STYLE MM ONLY	SCALE 2:1	DESIGN UNITS METRIC	THIRD ANGLE PROJECTION																			
				▽=0 ▽=0	<table border="1" style="font-size: small;"> <tr> <th></th> <th>mm</th> <th>INCH</th> </tr> <tr> <td>4 PLACES</td> <td>± ---</td> <td>± ---</td> </tr> <tr> <td>3 PLACES</td> <td>± ---</td> <td>± ---</td> </tr> <tr> <td>2 PLACES</td> <td>± 0.13</td> <td>± ---</td> </tr> <tr> <td>1 PLACE</td> <td>± 0.25</td> <td>± ---</td> </tr> <tr> <td colspan="3" style="text-align: center;">ANGULAR ± ---°</td> </tr> </table>		mm	INCH	4 PLACES	± ---	± ---	3 PLACES	± ---	± ---	2 PLACES	± 0.13	± ---	1 PLACE	± 0.25	± ---	ANGULAR ± ---°			DRAWN BY: ELO DATE: 2006/05/03 CHECKED BY: JLAURX DATE: 2006/05/04 APPROVED BY: CBIXLER DATE: 2006/05/05	I-TRAC 7-ROW RIGHT ANGLE MALE GUIDE RIGHT ASSEMBLY		
		mm	INCH																								
	4 PLACES	± ---	± ---																								
3 PLACES	± ---	± ---																									
2 PLACES	± 0.13	± ---																									
1 PLACE	± 0.25	± ---																									
ANGULAR ± ---°																											
DRAFT WHERE APPLICABLE MUST REMAIN WITHIN DIMENSIONS				SEE SHEET 2		MOLEX INCORPORATED DOCUMENT NO. SD-76011-003		SHEET NO. 3 OF 3																			
THIS DRAWING CONTAINS INFORMATION THAT IS PROPRIETARY TO MOLEX INCORPORATED AND SHOULD NOT BE USED WITHOUT WRITTEN PERMISSION																											